



HARDWARE CATALOG

INTRODUCTON

UK SCALE is dedicated to helping bring your personal style to life. Door hardware is more than a way to open, close, and secure a space. To us, it is an integral part of A room's design theme. It is an extension of your personal style and we want it to do more than blend in.

UK Scale has experience creating door hardware. We keep our finger on the pulse of the market and regularly release new designs. Our style is current, but we never forget about the classics. From traditional to contemporary, transitional, or rustic, we have hardware to match every style.

In this catalog, you will find examples of UK Scale extensive range of products. Everything you see can be customized with numerous options for hinges, handles, locks, closer and finishes.



TABLE OF CONTENTS

HINGE

HANDLE

LOCK

RFID LOCK

DOOR CLOSER

EXIT DEVICE

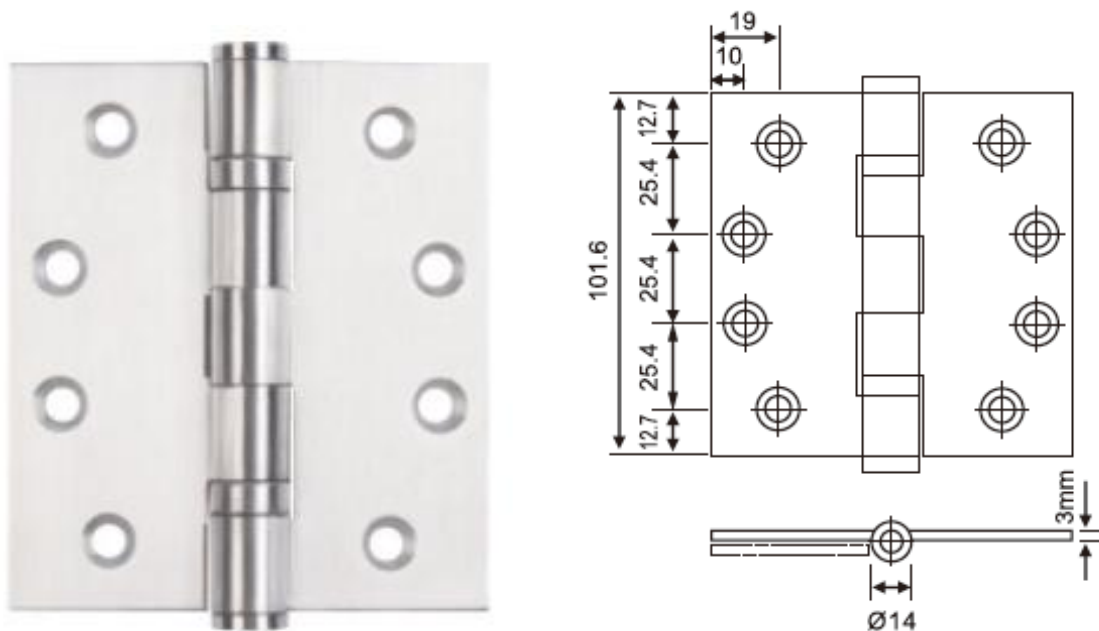
DOOR ACCESSORIES

SLIDING HARDWARE

HINGE

STAINLESS STEEL FIRE RATED HINGE

UK-S 8000 SERIES



PRODUCT CLASSIFICATION

4	7	6	1	1	4	0	13
---	---	---	---	---	---	---	----

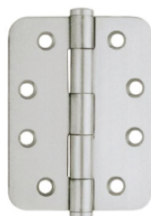
Model No.	Size (L*W*T inch*inch*mm)	Type	Finishes	Material
UK-S 8101 SS201	4*3*3	2BB Butt Hinge	Satin	SUS201
UK-S 8201 SS201	4*3.5*3	2BB Butt Hinge	Satin	SUS201
UK-S 8301 SS201	4*4*3	2BB Butt Hinge	Satin	SUS201
UK-S 8401 SS304	4*3*3	2BB Butt Hinge	Satin	SUS304
UK-S 8501 SS304	4*3.5*3	2BB Butt Hinge	Satin	SUS304
UK-S 8601 SS304	4*4*3	2BB Butt Hinge	Satin	SUS304
UK-S 8701 SS316	4*3*3	2BB Butt Hinge	Satin	SUS316
UK-S 8801 SS316	4*3.5*3	2BB Butt Hinge	Satin	SUS316
UK-S 8901 SS316	4*4*3	2BB Butt Hinge	Satin	SUS316

STAINLESS STEEL FIRE RATED HINGE

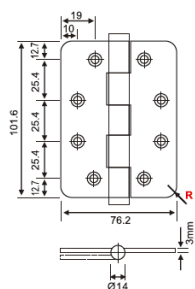
UK-S 8000 SERIES

Intended uses:	On fire/smoke compartmentation doors fitted with door closing devices (to enable such doors to close reliably and thus achieve self-closing in the event of fire)	
Requirement / Characteristic	Requirement clauses in this European Standard	Results
• Self Closing	5.1 Initial friction torque	Less than 4,0 Nm with door mass 120kg
	5.2 Static load - Load deformation	Pass with displacement under load: - Lateral < 4 mm; - Vertical < 2 mm And a residual displacement after unloading: - Lateral < 0,2 mm; - Vertical < 0,3 mm
	5.2 Static load - Overload	Pass
	5.3 Shear strength	Pass No breakage and cracking Lateral deformation under loading < 3 mm Additional lateral and vertical displacement after unloading < 1 mm
	5.6 Hinges for use on fire-resistant and/or smoke control doors	Grade 1: Suitable for use on fire/smoke resistant door assemblies
• Durability	5.4 Durability	Pass (200,000 cycles) Maximum wear: - Lateral < 0,2 mm - Vertical < 1 mm Maximum frictional torque: - After 20 cycles and completion of 200,000 cycles, less than 4,0 Nm.
	5.5 Corrosion resistance	Grade 4, Neutral Salt Spray (NSS) – 240 hours
• Dangerous substances	Note 1 of ZA 1	No dangerous substances declared for this product/intended use

STAINLESS STEEL FIRE RATED HINGE



DDSS006

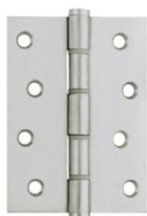


Stainless Steel Round Corner Hinge

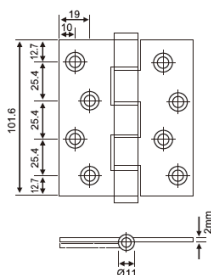
Dimension(H x W x T)
4.0" x 3.0" x 2.0mm
4.0" x 4.0" x 2.0mm
3.5" x 3.5" x 2.5mm
4.0" x 3.0" x 2.5mm
4.0" x 4.0" x 2.5mm
5.0" x 3.0" x 2.5mm
5.0" x 3.5" x 2.5mm

Dimension(H x W x T)
3.5" x 3.5" x 3.0mm
4.0" x 3.0" x 3.0mm
4.0" x 4.0" x 3.0mm
4.5" x 4.5" x 3.0mm
5.0" x 3.0" x 3.0mm
5.0" x 3.5" x 3.0mm
5.0" x 4.0" x 3.0mm

R=1/4", 3/8"



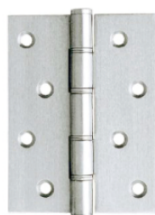
DDSS007



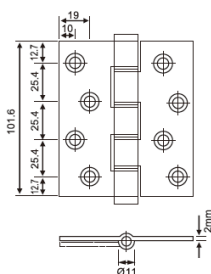
Stainless Steel Nylon Washer Hinge

Dimension(H x W x T)
4.0" x 3.0" x 2.0mm
4.0" x 4.0" x 2.0mm
3.5" x 3.5" x 2.5mm
4.0" x 3.0" x 2.5mm
4.0" x 4.0" x 2.5mm

Dimension(H x W x T)
5.0" x 3.0" x 2.5mm
5.0" x 3.5" x 2.5mm
3.5" x 3.5" x 3.0mm
4.0" x 3.0" x 3.0mm
4.0" x 4.0" x 3.0mm



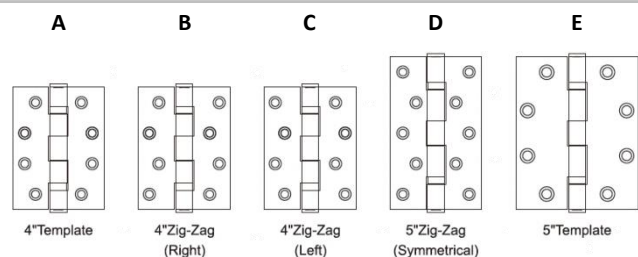
DDSS008



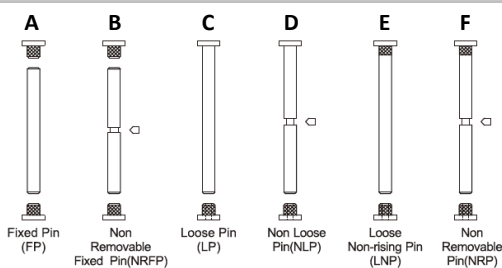
Stainless Steel Double Washers Hinge

Dimension(H x W x T)
4.0" x 3.0" x 2.0mm
4.0" x 4.0" x 2.0mm
4.0" x 3.0" x 2.5mm
4.0" x 4.0" x 2.5mm

HOLE OPTIONS



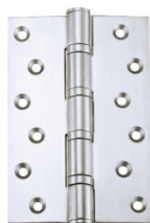
PIN OPTIONS



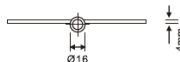
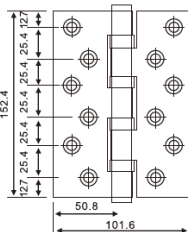
FEATURES

Usage	Wooden Door, Metal Door, Steel Door, Interior Door, Outer Door
Material	Stainless Steel 304 / 316 / 201
Finish	SSS, PSS, PVD, PB, AB, AC

STAINLESS STEEL FIRE RATED HINGE

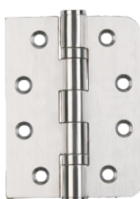


DDSS009

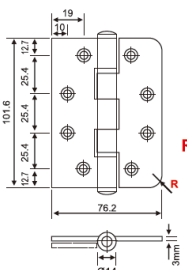


Stainless Steel Heavy Duty Hinge

Dimension(H x W x T)
6.0" x 3.0" x 3.0mm
6.0" x 3.5" x 3.0mm
6.0" x 4.0" x 3.0mm
6.0" x 4.0" x 4.0mm
6.0" x 3.5" x 5.0mm
6.0" x 4.0" x 5.0mm



DDSS010

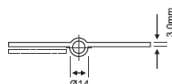
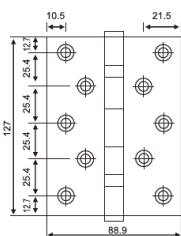


S / Steel One Round Corner One Square Corner Hinge

Dimension(H x W x T)	Dimension(H x W x T)	Dimension(H x W x T)
3.0" x 2.0" x 2.0mm	5.0" x 3.0" x 2.5mm	4.5" x 4.5" x 3.5mm
3.0" x 2.5" x 2.0mm	4.0" x 3.0" x 3.0mm	5.0" x 5.0" x 3.5mm
4.0" x 3.0" x 2.0mm	4.0" x 4.0" x 3.0mm	4.0" x 3.5" x 4.0mm
3.0" x 3.0" x 2.0mm	4.5" x 4.0" x 3.0mm	4.5" x 4.5" x 4.0mm
4.0" x 3.5" x 2.0mm	4.5" x 4.5" x 3.0mm	5.0" x 3.0" x 4.0mm
4.0" x 4.0" x 2.0mm	5.0" x 3.5" x 3.0mm	5.0" x 4.0" x 4.0mm
3.5" x 3.0" x 2.5mm	5.0" x 4.0" x 3.0mm	5.0" x 5.0" x 4.0mm
3.5" x 3.5" x 2.5mm	6.0" x 4.0" x 3.0mm	6.0" x 4.0" x 4.0mm
4.0" x 3.0" x 2.5mm	6.0" x 5.0" x 3.0mm	5.0" x 4.0" x 4.5mm
4.0" x 4.0" x 2.5mm	4.5" x 4.0" x 3.5mm	5.0" x 4.5" x 4.5mm

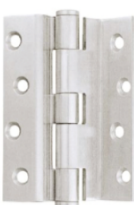


DDSS011-B

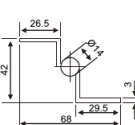
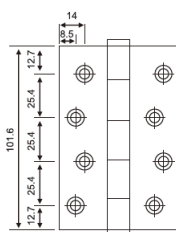


Stainless Steel Ball Bearing Hinge

Dimension(H x W x T)
5.0" x 3.0" x 3.0mm
5.0" x 3.5" x 3.0mm
5.0" x 4.0" x 3.0mm
5.0" x 5.0" x 3.0mm



DDSS012

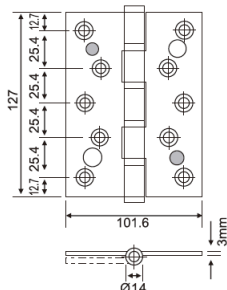


Stainless Steel Crank Hinge

Dimension(H x W x T)
4.0" x 3.0" x 3.0mm
4.0" x 3.5" x 3.0mm



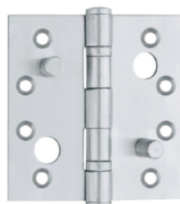
DDSS013



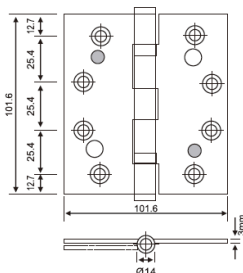
Stainless Steel Double Security Hinge

Dimension(H x W x T)	Dimension(H x W x T)	Dimension(H x W x T)
3.0" x 2.0" x 2.0mm	5.0" x 3.0" x 2.5mm	4.5" x 4.5" x 3.5mm
3.0" x 2.5" x 2.0mm	4.0" x 3.0" x 3.0mm	5.0" x 5.0" x 3.5mm
4.0" x 3.0" x 2.0mm	4.0" x 3.5" x 3.0mm	4.0" x 3.0" x 4.0mm
3.0" x 3.0" x 2.0mm	4.5" x 4.5" x 3.0mm	5.0" x 5.0" x 4.0mm
4.0" x 3.5" x 2.0mm	5.0" x 5.0" x 3.0mm	6.0" x 4.0" x 4.0mm
4.0" x 4.0" x 2.0mm	5.0" x 3.5" x 3.0mm	4.0" x 4.0" x 4.5mm
3.5" x 3.0" x 2.5mm	5.0" x 4.0" x 3.0mm	4.5" x 4.0" x 4.5mm
3.5" x 3.5" x 2.5mm	6.0" x 4.0" x 3.0mm	4.5" x 4.5" x 4.5mm
4.0" x 3.5" x 2.5mm	6.0" x 5.0" x 3.0mm	5.0" x 4.0" x 4.5mm
4.0" x 4.0" x 2.5mm	4.5" x 4.0" x 3.5mm	5.0" x 4.5" x 4.5mm

STAINLESS STEEL FIRE RATED HINGE



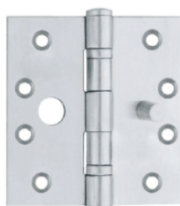
DDSS014



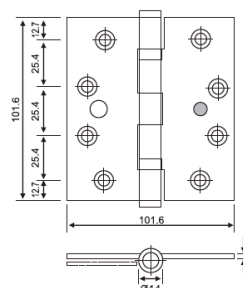
Stainless Steel Double Security Hinge

- Double Ball Bearing, five knuckle hinge
- Prevents removal of door leaf if hinge knuckle is attacked
- Predominately used on perimeter doors where the hinge knuckle is located externally

Dimension(H x W x T)	Dimension(H x W x T)
4.0" x 3.0" x 2.5mm	4.5" x 4.0" x 3.0mm
4.0" x 3.0" x 3.0mm	4.5" x 4.5" x 3.0mm
4.0" x 3.5" x 3.0mm	4.5" x 4.0" x 3.4mm
4.0" x 4.0" x 3.0mm	4.5" x 4.5" x 3.4mm
5.0" x 3.5" x 3.0mm	



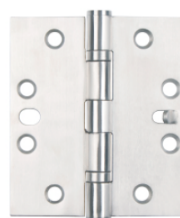
DDSS015



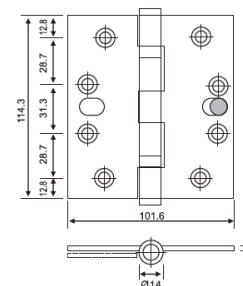
Stainless Steel Single Security Hinge

- Double Ball Bearing, five knuckle hinge
- Prevents removal of door leaf if hinge knuckle is attacked
- Predominately used on perimeter doors where the hinge knuckle is located externally

Dimension(H x W x T)	Dimension(H x W x T)
4.0" x 3.0" x 2.5mm	4.5" x 4.0" x 3.0mm
4.0" x 3.0" x 3.0mm	4.5" x 4.5" x 3.0mm
4.0" x 3.5" x 3.0mm	4.5" x 4.0" x 3.4mm
4.0" x 4.0" x 3.0mm	4.5" x 4.5" x 3.4mm



DDSS015-B

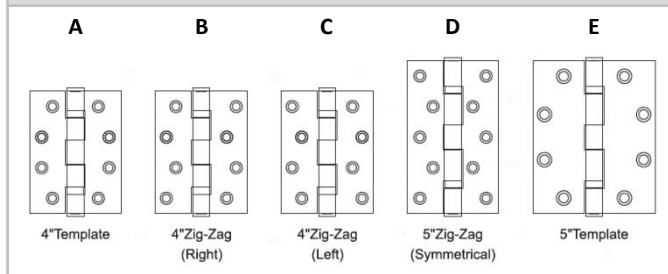


Stainless Steel Single Security Hinge

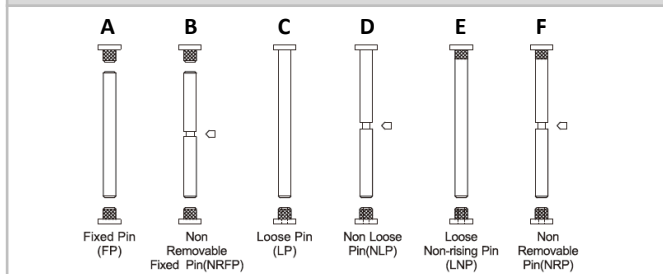
- Double Ball Bearing, five knuckle hinge
- Prevents removal of door leaf if hinge knuckle is attacked
- Predominately used on perimeter doors where the hinge knuckle is located externally

Dimension(H x W x T)	Dimension(H x W x T)
4.0" x 3.0" x 2.5mm	4.5" x 4.0" x 3.0mm
4.0" x 3.0" x 3.0mm	4.5" x 4.5" x 3.0mm
4.0" x 3.5" x 3.0mm	4.5" x 4.0" x 3.4mm
4.0" x 4.0" x 3.0mm	4.5" x 4.5" x 3.4mm

HOLE OPTIONS



PIN OPTIONS



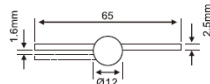
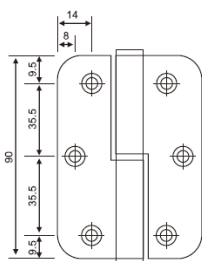
FEATURES

Usage	Wooden Door, Metal Door, Steel Door, Interior Door, Outer Door
Material	Stainless Steel 304 / 316 / 201
Finish	SSS, PSS, PVD, PB, AB, AC

STAINLESS STEEL FIRE RATED HINGE



DDSS020

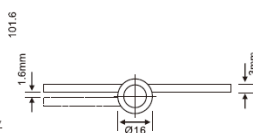
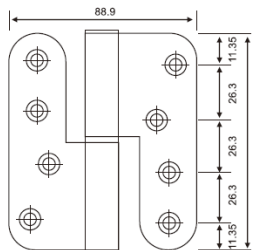


Stainless Steel Lift-off Hinge

Dimension(H x W x T)
80 x 80 x 2.5mm
90 x 65 x 2.5mm
89 x 63.5 x 3.0mm



DDSS021

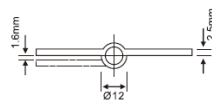
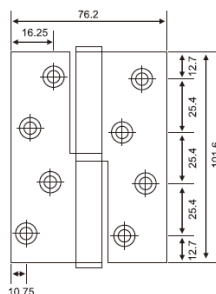


Stainless Steel Lift-off Hinge

Dimension(H x W x T)
4.0" x 3.5" x 3.0mm
90 x 65 x 2.5mm



DDSS022

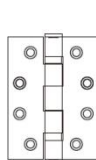


Stainless Steel Lift-off Hinge

Dimension(H x W x T)
90 x 65 x 2.5mm
102 x 76 x 2.5mm
76.2 x 64 x 2.0mm
102 x 76 x 2.0mm

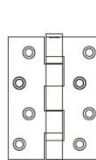
HOLE OPTIONS

A



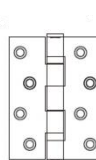
4"Template

B



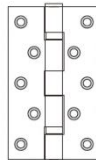
4"Zig-Zag (Right)

C



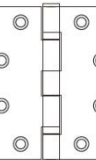
4"Zig-Zag (Left)

D



5"Zig-Zag (Symmetrical)

E



5"Template

PIN OPTIONS

A



Fixed Pin (FP)

B



Non-Removable Fixed Pin(NRFP)

C



Loose Pin (LP)

D



Non-Loose Pin(NLP)

E



Loose Non-rising Pin (LNP)

F



Non-Removable Pin(NRP)

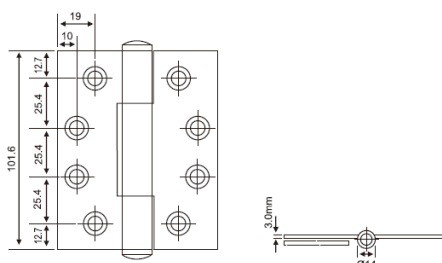
FEATURES

Usage	Wooden Door, Metal Door, Steel Door, Interior Door, Outer Door
Material	Stainless Steel 304 / 316 / 201
Finish	SSS, PSS, PVD, PB, AB, AC

STAINLESS STEEL FIRE RATED HINGE



DDSS023

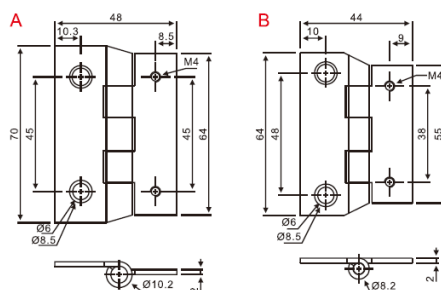


Stainless Steel 3 Knuckle Hinge

Dimension(H x W x T)
4.0" x 3.0" x 3.0mm
4.0" x 3.5" x 3.0mm
4.0" x 4.0" x 3.0mm



DDSS025

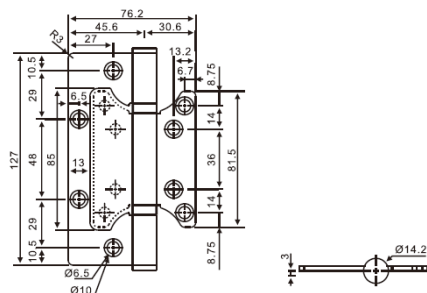


Stainless Steel Laboratory Hinge

Art. No.	Dimension(H x W x T)
DDSS025-A	70 x 48 x 2.0mm
DDSS025-B	64 x 44 x 2.0mm



DDSS026

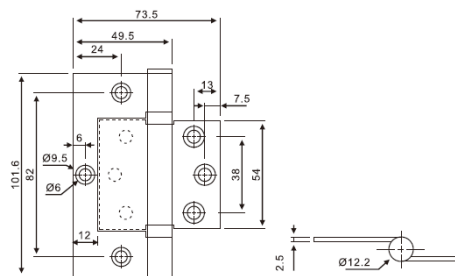


Stainless Steel Flush Hinge

Dimension(H x W x T)
4.0" x 3.0" x 2.5mm
4.0" x 3.0" x 3.0mm
5.0" x 3.0" x 3.0mm



DDSS027

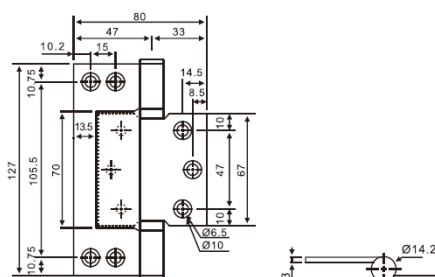


Stainless Steel Flush Hinge

Dimension(H x W x T)
101.6 x 73.5 x 2.5mm
100 x 75 x 2.5mm



DDSS027-B



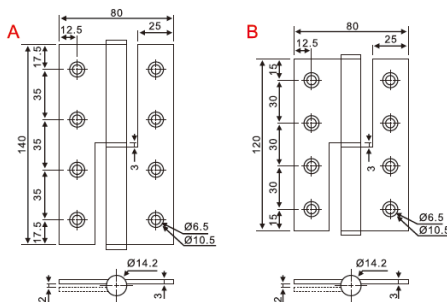
Stainless Steel Flush Hinge

Dimension(H x W x T)
127 x 80 x 3.0mm

STAINLESS STEEL FIRE RATED HINGE



DDSS028-B

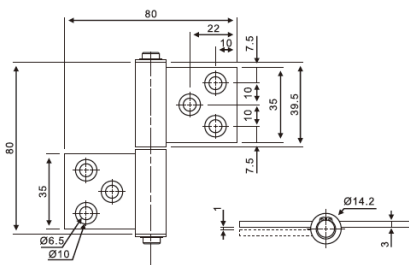


Stainless Steel Flush Hinge

Art. No.	Dimension(H x W x T)
DDSS028-A	140 x 80 x 3.0mm
DDSS028-B	120 x 80 x 3.0mm



DDSS029



Stainless Steel Flag Hinge

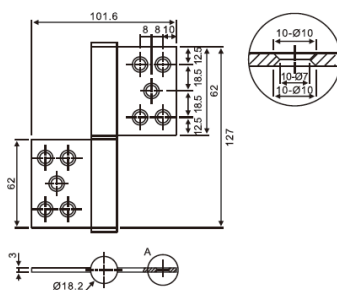
Dimension(H x W x T)
80 x 80 x 3.0mm



A

B

DDSS030

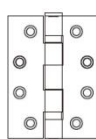


Stainless Steel Flag Hinge

Dimension(H x W x T)
5.0" x 4.0" x 3.0mm

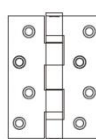
HOLE OPTIONS

A



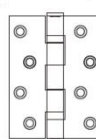
4"Template

B



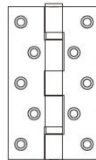
4"Zig-Zag (Right)

C



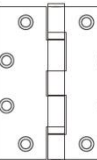
4"Zig-Zag (Left)

D



5"Zig-Zag (Symmetrical)

E



5"Template

PIN OPTIONS

A



Fixed Pin (FP)

B



Non-Removable Fixed Pin(NRFP)

C



Loose Pin (LP)

D



Non-Loose Pin(NLP)

E



Loose Non-rising Pin (LNP)

F



Non-Removable Pin(NRP)

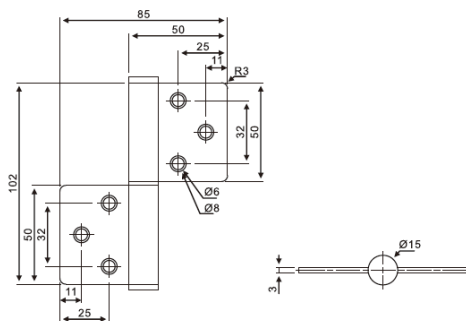
FEATURES

Usage	Wooden Door, Metal Door, Steel Door, Interior Door, Outer Door
Material	Stainless Steel 304 / 316 / 201
Finish	SSS, PSS, PVD, PB, AB, AC

STAINLESS STEEL FIRE RATED HINGE



DDSS031

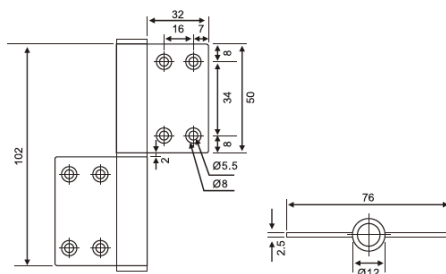


Stainless Steel Flag Hinge

Dimension(H x W x T)
102 x 85 x 3.0mm



DDSS032

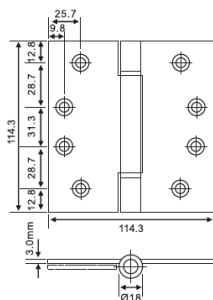


Stainless Steel Flag Hinge

Dimension(H x W x T)
4.0" x 3.0" x 2.5mm
4.0" x 3.5" x 2.5mm



DDSS033



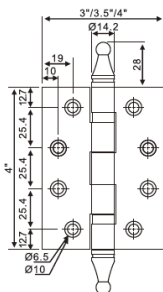
Stainless Steel Action Spring Hinge

- Single Acting, Square Corner Template
- Adjustable Spring Tension
- Close by itself

Dimension(H x W x T)	Dimension(H x W x T)
3.0" x 3.0" x 3.0mm	4.5" x 4.0" x 3.0mm
3.5" x 3.5" x 3.0mm	4.5" x 4.5" x 3.0mm
4.0" x 3.0" x 3.0mm	4.5" x 4.0" x 3.4mm
4.0" x 4.0" x 3.0mm	4.5" x 4.5" x 3.4mm



DDSS034-B

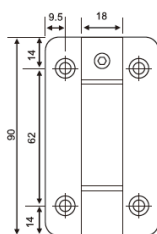


Stainless Steel Hinge With Crown Tip

Dimension(H x W x T)
4.0" x 3.0" x 3.0mm
4.0" x 3.5" x 3.0mm
4.0" x 4.0" x 3.0mm



DDSS035



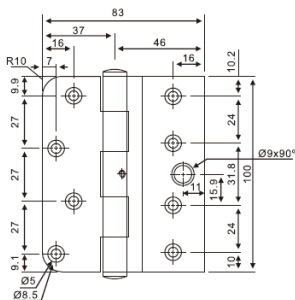
Stainless Steel Single Action Hinge

Dimension(H x W x T)
90 x 52 x 2.0mm - $\Phi 18$

STAINLESS STEEL FIRE RATED HINGE



DDSS036

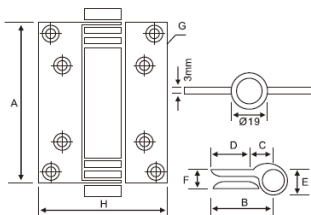


Stainless Steel Crank Hinge

Dimension(H x W x T)
100 x 83 x 2.0mm



DDSS037

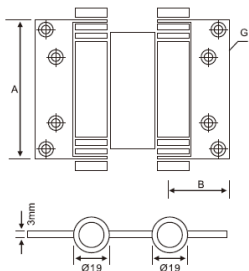


Stainless Steel Single Action Spring Hinge

A	B	C	D	E	F	G	H
102(4")	40	16.5	23.5	24	12.5	5.5	77
127(5")	47.5	15.5	32	24	12.5	5.5	90
153(6")	51.5	16.5	35	24	14	5.5	104

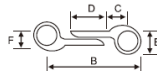


DDSS038



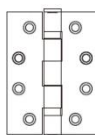
Stainless Steel Double Action Spring Hinge

A	B	C	D	E	F	G	H
102(4")	40	16.5	23.5	25	16.3	5.5	54.5
127(5")	47.5	15.5	32	25	17.5	5.5	64
153(6")	51.5	16.5	35	25	17.5	5.5	70.5



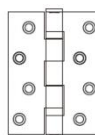
HOLE OPTIONS

A



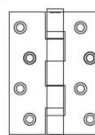
4"Template

B



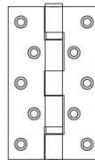
4"Zig-Zag (Right)

C



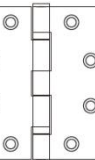
4"Zig-Zag (Left)

D



5"Zig-Zag (Symmetrical)

E



5"Template

PIN OPTIONS

A



Fixed Pin (FP)

B



Non-Removable Fixed Pin(NRFP)

C



Loose Pin (LP)

D



Non-Loose Pin(NLP)

E



Loose Non-rising Pin (LNP)

F



Non-Removable Pin(NRP)

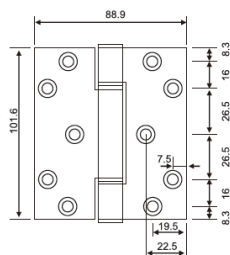
FEATURES

Usage	Wooden Door, Metal Door, Steel Door, Interior Door, Outer Door
Material	Stainless Steel 304 / 316 / 201
Finish	SSS, PSS, PVD, PB, AB, AC

STAINLESS STEEL FIRE RATED HINGE

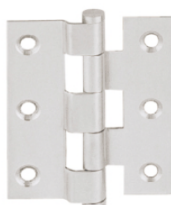
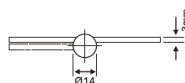


DDSS039

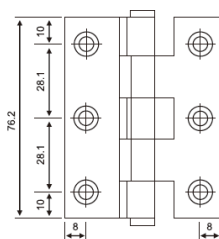


Stainless Steel 3 Knuckle Double Washers Hinge

Dimension(H x W x T)
4.0" x 3.0" x 3.0mm
4.0" x 3.5" x 2.0mm

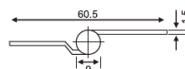


DDSS040

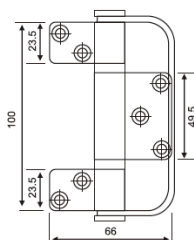


Stainless Steel Crank Hinge

Dimension(H x W x T)
4.0" x 3.0" x 2.0mm
3.0" x 2.4" x 1.5mm

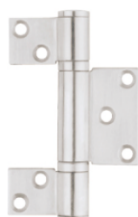
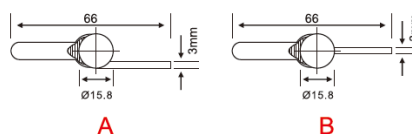


DDSS041

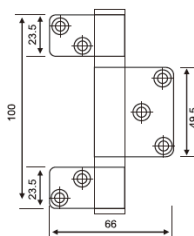


S / Steel 2 Ball Bearing Three Leaves Hinge With Handle for Folding Door

Dimension(H x W x T)
100 x 66 x 3.0mm

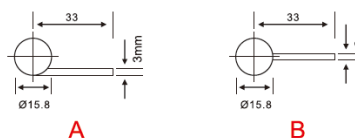


DDSS042

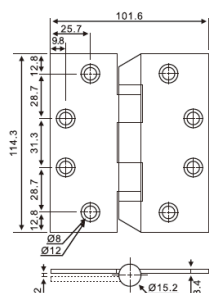


Stainless Steel Three Leaves Hinge for Folding Door

Dimension(H x W x T)
100 x 66 x 3.0mm



DDSS044-B

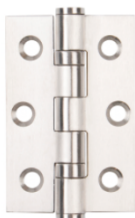


Stainless Steel Hospital Hinge

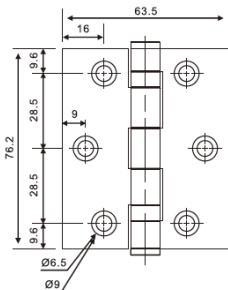
- Hospital tip hinge
- Sloped tip prevents hanging any objects on the tip of the hinge, making it difficult to attach rope, wearing apparel etc.
- Double ball bearing, five knuckle hinge

Dimension(H x W x T)	Dimension(H x W x T)
4.0" x 3.0" x 3.0mm	4.5" x 4.0" x 3.4mm
4.0" x 3.5" x 3.0mm	4.5" x 4.5" x 3.4mm
4.0" x 4.0" x 3.0mm	5.0" x 3.0" x 3.0mm
4.5" x 4.5" x 3.0mm	5.0" x 5.0" x 3.0mm

STAINLESS STEEL FIRE RATED HINGE

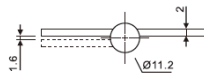


DDSS045-B

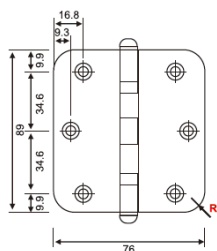


Stainless Steel Door Hinge

Dimension(H x W x T)
3.0" x 2.5" x 2.0mm
3.0" x 3.0" x 2.0mm
3.5" x 3.0" x 2.0mm
3.5" x 3.5" x 2.0mm
3.0" x 3.0" x 3.0mm
3.5" x 3.5" x 3.0mm

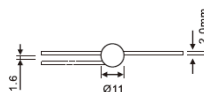


DDSS046



Stainless Steel Door Hinge With Ball Tip

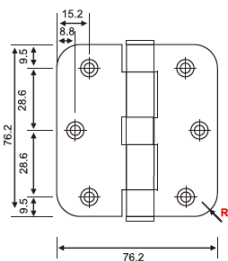
Dimension(H x W x T)
3.0" x 2.5" x 2.0mm
3.0" x 3.0" x 2.0mm
3.5" x 3.0" x 2.0mm
3.5" x 3.5" x 2.0mm
3.0" x 3.0" x 3.0mm
3.5" x 3.5" x 3.0mm



R=1/4", 3/8"

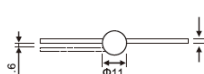


DDSS047



Stainless Steel Hinge With Round Corner

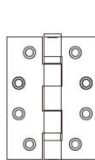
Dimension(H x W x T)
3.0" x 2.5" x 2.0mm
3.0" x 3.0" x 2.0mm
3.5" x 3.0" x 2.0mm
3.5" x 3.5" x 2.0mm
3.0" x 3.0" x 3.0mm
3.5" x 3.5" x 3.0mm



R=1/4", 3/8"

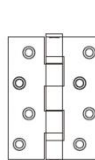
HOLE OPTIONS

A



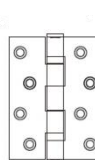
4"Template

B



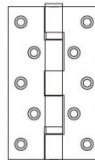
4"Zig-Zag (Right)

C



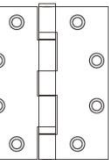
4"Zig-Zag (Left)

D



5"Zig-Zag (Symmetrical)

E



5"Template

PIN OPTIONS

A



Fixed Pin (FP)

B



Non-Removable Fixed Pin(NRFP)

C



Loose Pin (LP)

D



Non-Loose Pin(NLP)

E



Non-rising Pin (LNP)

F



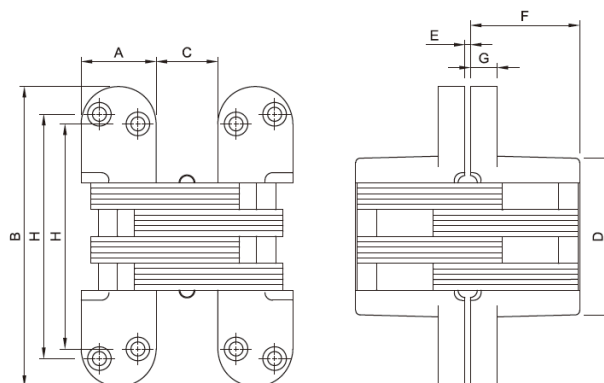
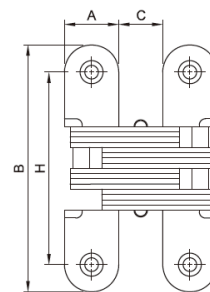
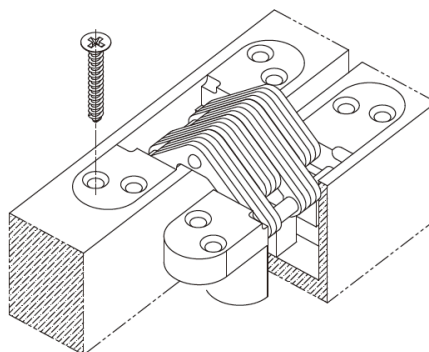
Non-Removable Pin(NRP)

FEATURES

Usage	Wooden Door, Metal Door, Steel Door, Interior Door, Outer Door
Material	Stainless Steel 304 / 316 / 201
Finish	SSS, PSS, PVD, PB, AB, AC

CONCEALED HINGE

DDCH007 – ZINC ALLOY



FEATURES

- Casting Zinc Alloy Body, Stainless Steel Strips
- Concealed Installation
- Totally invisible when door is closed
- Non-handed
- Suitable for Timber and Metal Doors

- Finish: SSS, PSS, PB, PVD, AB, AC
- Maximum opening angle 180°
- Standard: 3 pcs per door
- Packed with screws

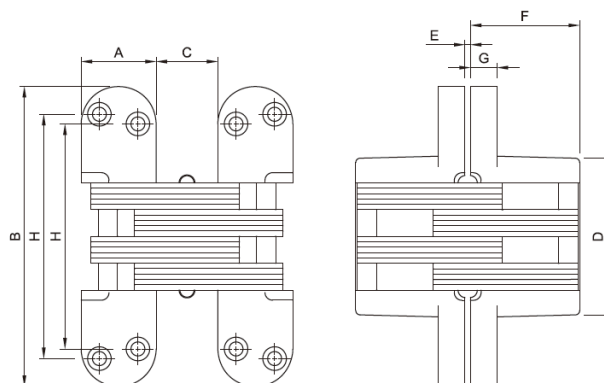
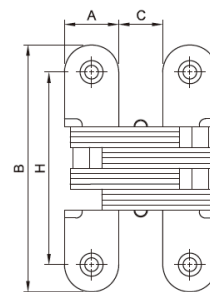
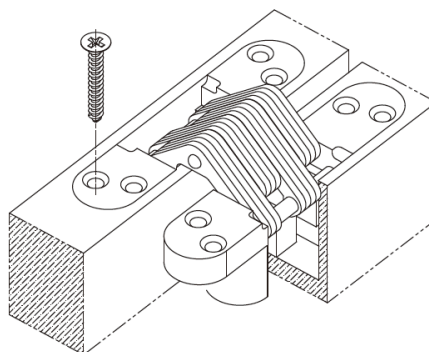
Data Unit
(mm)

Ziinc Alloy Body, Stainless Steel Connecting Strips

Product Code	Size	Min. Door Thck	Max. Door Wgt.	A Hinge Width	B Hinge Lengt	C	D Mortice Length	E Dimension from Door Edge	F Mortice Depth	G Plate Depth	H <CTC>	
ZA-CC09	34x140	50mm	50kg	34	140	27.5	74.5	1.6	51	11.5	113.5	102.5
ZA-CC08	28x118	40mm	40kg	28	117.5	22	61.5	1.4	41	9.5	93.	87
ZA-CC07	25x118	35mm	30kg	25	117.5	18	64	1.6	36	11	90	
ZA-CC06	19x95	30mm	25kg	19	95	13	51.2	1.2	27	9	73	
ZA-CC05	16x70	25mm	15kg	16	70	11	34	0.8	22.5	7	51	
ZA-004	13x60	20mm	10kg	13	60	9	30.5	0.8	18	6	47	
ZA-003	13x45	20mm	5kg	13	45	9	19	0.8	18	5	30.5	
ZA-CC10	28x118	40mm	25kg	28	117.5	25	61.5	1.4	44	12	90	
ZA-CC1 Spring Type	25x118	35mm	30kg	25	117.5	18	64	1.6	36	11.5	90	
ZA-CC12 Spring Type	25x118	40mm	40kg	28	117.5	22	61.5	1.4	41	9.5	93	87

CONCEALED HINGE

DDCH007 – STAINLESS STEEL



FEATURES

- Casting Stainless Steel Body, Stainless Steel Strips
- Concealed Installation
- Totally invisible when door is closed
- Non-handed
- Suitable for Timber and Metal Doors

- Finish: SSS, PSS, PB, PVD, AB, AC
- Maximum opening angle 180°
- Standard: 3 pcs per door
- Packed with screws

Data Unit
(mm)

Ziinc Alloy Body, Stainless Steel Connecting Strips

Product Code	Size	Min. Door Thck	Max. Door Wgt.	A Hinge Width	B Hinge Lengt	C	D Mortice Length	E Dimension from Door Edge	F Mortice Depth	G Plate Depth	H <CTC>	
SC-CC09	34x140	50mm	50kg	34	139.5	27.5	74.5	1.6	51	11.5	113.5	102.5
SS-CC08	28x118	40mm	40kg	28	118	22	61.5	1.4	41	9.5	93	88
SS-CC07	25x118	35mm	30kg	25	118	18	65.3	1	36.5	11.3	90.5	
SS-CC06	19x95	30mm	25kg	19	95	13	52.5	1.2	27	9	73	
SS-CC05	16x70	25mm	15kg	16	70	11	34	0.8	22.5	7.4	51	
SS-004 Spring Type	28X118	40mm	40kg	28	118	22	61.5	1.4	41	9.5	93	88
ZA-003 Spring Type	25x118	35mm	30kg	25	118	18	65.3	1	36.5	11.3	90.5	

HANDLE

ZINC ALLOY

Square Series



Item No: R07H064
Finish: Yellow Bronze



Item No: R07H064
Finish: Antique Bronze Brushed



Item No: R07H064
Finish: Chrome Plated



Item No: R07H064
Finish: Satin Gold Plated / Gold Plated

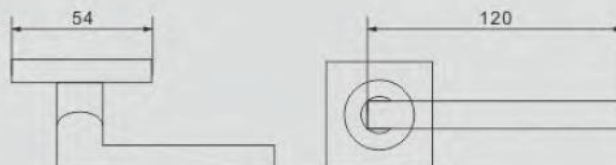


Item No: R07H064
Finish: Satin Nickel

OUERA

FEATURES

- Material: Zinc Alloy
- Installation Center Distance: 72/58mm
- Applicable Door Thickness: 45-55mm
- Scope of Application: Entry Door , Access Door, Indoor Door
- Applicable Door Type: Wooden Door, Metal Door



ZINC ALLOY

Square Series



Item No: R07H088
Finish: Satin Gold Plated / Gold Plated



Item No: R07H088
Finish: Chrome Plated



Item No: R07H088
Finish: Yellow Bronze



Item No: R07H088
Finish: Satin Nickel / Chrome Plated

URANUS

FEATURES

- Material: Zinc Alloy
- Installation Center Distance: 72/58mm
- Applicable Door Thickness: 45-55mm
- Scope of Application: Entry Door , Access Door, Indoor Door
- Applicable Door Type: Wooden Door, Metal Door



ZINC ALLOY

Square Series



Item No: R12H210
Finish: Satin Nickel



Item No: R12H210
Finish: Chrome Plated

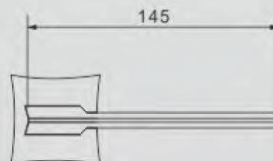
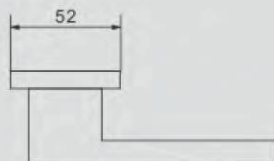


Item No: R12H210
Finish: Matte Satin Chrome

MERCURY

FEATURES

- Material: Zinc Alloy
- Installation Center Distance: 72/58mm
- Applicable Door Thickness: 45-55mm
- Scope of Application: Entry Door , Access Door, Indoor Door
- Applicable Door Type: Wooden Door, Metal Door



ZINC ALLOY

Square Series



Item No: R11H233
Finish: Chrome Plated



Item No: R11H233
Finish: Satin Gold Plated / Gold Plated



Item No: R11H233
Finish: Satin Nickel



Item No: R11H233
Finish: 24K Real Gold



Item No: R11H233
Finish: Matte Antique Bronze Brushed



Item No: R11H233
Finish: Physical Vapor Deposition

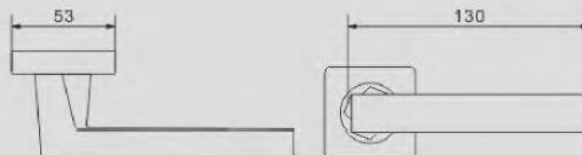


Item No: R11H233
Finish: Black Aged Bronze

AURORA

FEATURES

- Material: Zinc Alloy
- Installation Center Distance: 72/58mm
- Applicable Door Thickness: 45-55mm
- Scope of Application: Entry Door , Access Door, Indoor Door
- Applicable Door Type: Wooden Door, Metal Door



ZINC ALLOY Square Series



Item No: R07H212
Finish: Black Aged Bronze

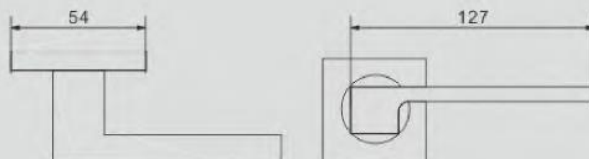


Item No: R07H212
Finish: Satin Nickel / Chrome Plated

RHEA

FEATURES

- Material: Zinc Alloy
- Installation Center Distance: 72/58mm
- Applicable Door Thickness: 45-55mm
- Scope of Application: Entry Door , Access Door, Indoor Door
- Applicable Door Type: Wooden Door, Metal Door



ZINC ALLOY

Square Series



Item No: R11H366
Finish: Yellow Bronze



Item No: R11H366
Finish: Chrome Plated



Item No: R11H366
Finish: Black Aged Bronze

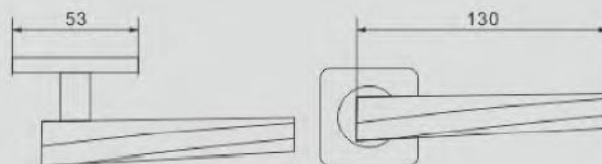


Item No: R11H366
Finish: Satin Nickel / Chrome Plated

LETO

FEATURES

- Material: Zinc Alloy
- Installation Center Distance: 72/58mm
- Applicable Door Thickness: 45-55mm
- Scope of Application: Entry Door , Access Door, Indoor Door
- Applicable Door Type: Wooden Door, Metal Door



ZINC ALLOY Square Series



Item No: R11H236
Finish: Chrome Plated



Item No: R11H236
Finish: 24K Real Gold



Item No: R11H236
Finish: Satin Nickel



Item No: R11H236
Finish: Satin Gold Plated / Gold Plated



Item No: R11H236
Finish: Satin Gold Plated / Gold Plated



Item No: R11H236
Finish: Physical Vapor Desposition

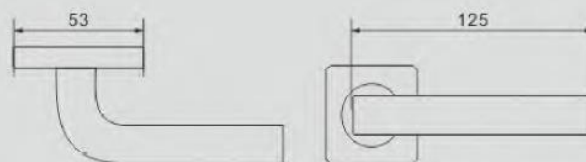


Item No: R11H236
Finish: Black Aged Bronze

VULCAN

FEATURES

- Material: Zinc Alloy
- Installation Center Distance: 72/58mm
- Applicable Door Thickness: 45-55mm
- Scope of Application: Entry Door , Access Door, Indoor Door
- Applicable Door Type: Wooden Door, Metal Door



ZINC ALLOY

Square Series



Item No: R11H206
Finish: Satin Nickel / Gold Plated



Item No: R11H206
Finish: Satin Nickel / Chrome Plated



Item No: R11H206
Finish: Yellow Bronze



Item No: R11H206
Finish: Chrome Plated



Item No: R11H206
Finish: Black Aged Bronze

THEA

FEATURES

- Material: Zinc Alloy
- Installation Center Distance: 72/58mm
- Applicable Door Thickness: 45-55mm
- Scope of Application: Entry Door , Access Door, Indoor Door
- Applicable Door Type: Wooden Door, Metal Door



ZINC ALLOY

Square Series



Item No: R11H209
Finish: Black Aged Bronze



Item No: R11H209
Finish: Chrome Pated



Item No: R11H209
Finish: Satin Nickel / Chrome Pated

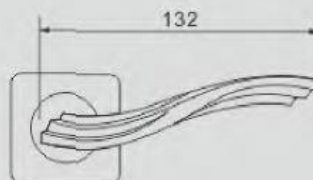
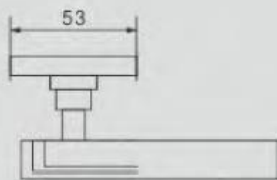


Item No: R11H209
Finish: Yellow Bronze

METIS

FEATURES

- Material: Zinc Alloy
- Installation Center Distance: 72/58mm
- Applicable Door Thickness: 45-55mm
- Scope of Application: Entry Door , Access Door, Indoor Door
- Applicable Door Type: Wooden Door, Metal Door



ZINC ALLOY Square Series



Item No: R11H211
Finish: Satin Nickel



Item No: R11H211
Finish: Yellow Bronze

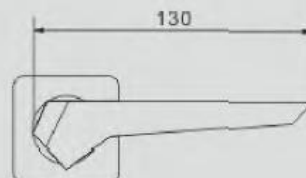
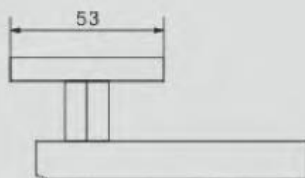


Item No: R11H211
Finish: Chrome Plated

HYPERION

FEATURES

- Material: Zinc Alloy
- Installation Center Distance: 72/58mm
- Applicable Door Thickness: 45-55mm
- Scope of Application: Entry Door , Access Door, Indoor Door
- Applicable Door Type: Wooden Door, Metal Door



ZINC ALLOY Square Series



Item No: R11H213
Finish: Chrome Plated



Item No: R11H213
Finish: Black Aged Bronze

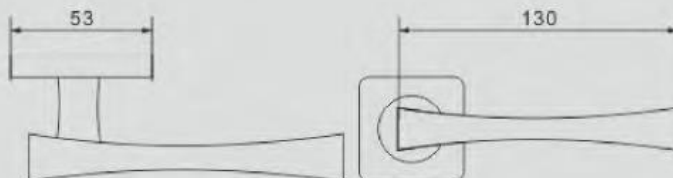


Item No: R11H213
Finish: Satin Nickel

ATLAS

FEATURES

- Material: Zinc Alloy
- Installation Center Distance: 72/58mm
- Applicable Door Thickness: 45-55mm
- Scope of Application: Entry Door , Access Door, Indoor Door
- Applicable Door Type: Wooden Door, Metal Door



ZINC ALLOY Square Series



Item No: R11H290
Finish: Satin Nickel / Chrome Plated



Item No: R11H290
Finish: Satin Gold Plated / Gold Plated

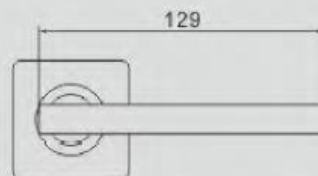
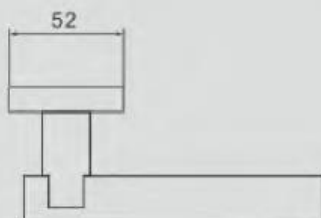


Item No: R11H290
Finish: Chrome Plated

ORBIS

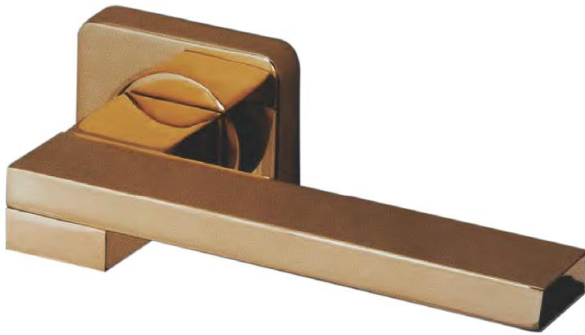
FEATURES

- Material: Zinc Alloy
- Installation Center Distance: 72/58mm
- Applicable Door Thickness: 45-55mm
- Scope of Application: Entry Door , Access Door, Indoor Door
- Applicable Door Type: Wooden Door, Metal Door



ZINC ALLOY

Square Series



Item No: R11H286
Finish: Gold Plated



Item No: R11H286
Finish: Satin Nickel



Item No: R11H286
Finish: Satin Gold Plated / Gold Plated



Item No: R11H286
Finish: Chrome Plated

SENA

FEATURES

- Material: Zinc Alloy
- Installation Center Distance: 72/58mm
- Applicable Door Thickness: 45-55mm
- Scope of Application: Entry Door , Access Door, Indoor Door
- Applicable Door Type: Wooden Door, Metal Door



ZINC ALLOY Rosette Series



Item No: R14HD39
Finish: WAB



Item No: R14HD39
Finish: Gold Plated / Chrome Plated



Item No: R14HD39
Finish: Satin Nickel / Chrome Plated



Item No: R14HD39
Finish: Gold Plated



Item No: R14HD39
Finish: Antique Bronze Brushed / Gold Plated

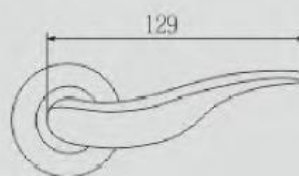
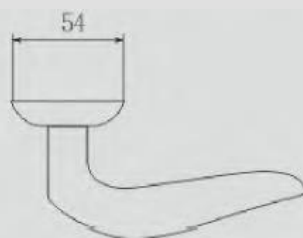


Item No: R14HD39
Finish: Yellow Bronze

LARES

FEATURES

- Material: Zinc Alloy
- Installation Center Distance: 72/58mm
- Applicable Door Thickness: 45-55mm
- Scope of Application: Entry Door , Access Door, Indoor Door
- Applicable Door Type: Wooden Door, Metal Door



ZINC ALLOY Rosette Series



Item No: R14H147
Finish: Satin Nickel / Chrome Plated

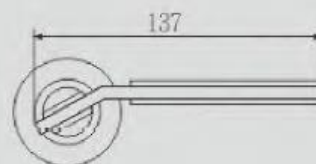
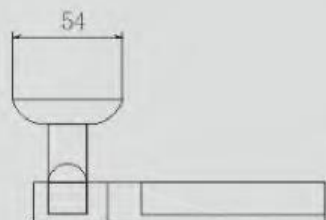


Item No: R14H147
Finish: Satin Gold Plated / Gold Plated

MUSA

FEATURES

- Material: Zinc Alloy
- Installation Center Distance: 72/58mm
- Applicable Door Thickness: 45-55mm
- Scope of Application: Entry Door , Access Door, Indoor Door
- Applicable Door Type: Wooden Door, Metal Door



ZINC ALLOY

Rosette Series



Item No: R14H085
Finish: Satin Nickel / Chrome Plated



Item No: R14H085
Finish: Gold Plated / Chrome Plated



Item No: R14H085
Finish: Antique Bronze Brushed/Gold Plated



Item No: R14H085
Finish: Satin Gold Plated/Gold Plated



Item No: R14H085
Finish: Yellow Bronze

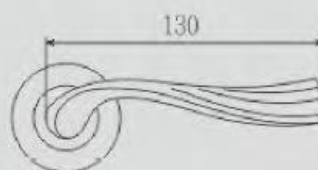
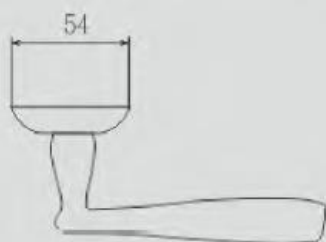


Item No: R14H085
Finish: Satin Gold Plated / Chrome Plated

SIMOIS

FEATURES

- Material: Zinc Alloy
- Installation Center Distance: 72/58mm
- Applicable Door Thickness: 45-55mm
- Scope of Application: Entry Door , Access Door, Indoor Door
- Applicable Door Type: Wooden Door, Metal Door



ZINC ALLOY Rosette Series



Item No: R14H020
Finish: Antique Bronze Brushed



Item No: R14H020
Finish: Yellow Bronze



Item No: R14H020
Finish: Satin Gold Plated / Gold Plated



Item No: R14H020
Finish: Satin Nickel / Chrome Plated



Item No: R14H020
Finish: 24K Real Gold



Item No: R14H020
Finish: Gold Plated / Chrome Plated

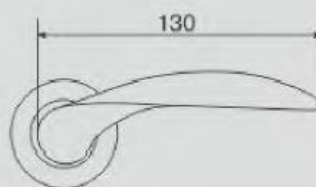
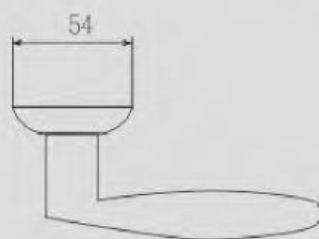


Item No: R14H020
Finish: Chrome Plated

HEMERA

FEATURES

- Material: Zinc Alloy
- Installation Center Distance: 72/58mm
- Applicable Door Thickness: 45-55mm
- Scope of Application: Entry Door , Access Door, Indoor Door
- Applicable Door Type: Wooden Door, Metal Door



ZINC ALLOY

Rosette Series



OPS

FEATURES

- Material: Zinc Alloy
- Installation Center Distance: 72/58mm
- Applicable Door Thickness: 45-55mm
- Scope of Application: Entry Door , Access Door, Indoor Door
- Applicable Door Type: Wooden Door, Metal Door



Item No: R14H159
Finish: Chrome Plated



Item No: R14H159
Finish: Satin Gold Plated / Gold Plated



Item No: R14H159
Finish: Antique Bronze Brushed/Gold Plated



Item No: R14H159
Finish: Satin Nickel / Chrome Plated



Item No: R14H159
Finish: Satin Gold Plated / Chrome Plated



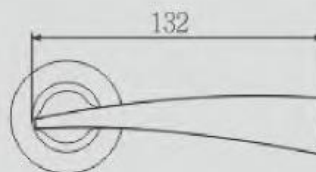
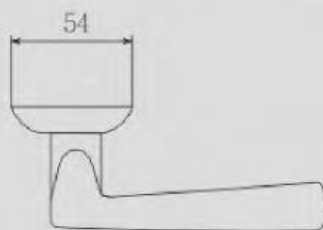
Item No: R14H159
Finish: Gold Plated / Chrome Plated



Item No: R14H159
Finish: WAB



Item No: R14H159
Finish: Black Aged Bronze



ZINC ALLOY

Rosette Series



THALO

FEATURES

- Material: Zinc Alloy
- Installation Center Distance: 72/58mm
- Applicable Door Thickness: 45-55mm
- Scope of Application: Entry Door , Access Door, Indoor Door
- Applicable Door Type: Wooden Door, Metal Door



Item No: R14H009L
Finish: Satin Gold Plated / Chrome Plated



Item No: R14H009L
Finish: Satin Gold Plated / Gold Plated



Item No: R14H009L
Finish: Satin Nickel / Chrome Plated



Item No: R14H009L
Finish: WAB



Item No: R14H009L
Finish: Satin Gold Plated / Chrome Plated



Item No: R14H009L
Finish: Gold Plated / Satin Gold Plated



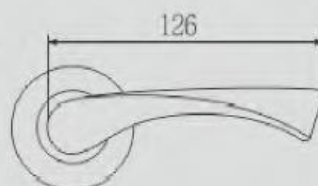
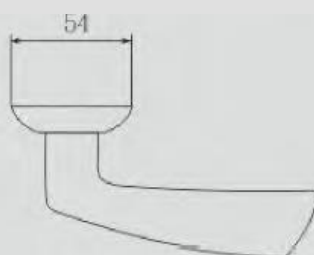
Item No: R14H009L
Finish: Chrome Plated



Item No: R14H009L
Finish: Gold Plated / Chrome Plated



Item No: R14H009L
Finish: Antique Bronze Brushed/Gold Plated



ZINC ALLOY Rosette Series



Item No: R14H085
Finish: WAB



Item No: R14H085
Finish: Satin Gold Plated / Gold Plated

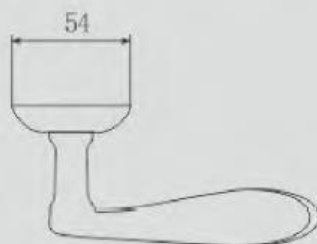


Item No: R14H085
Finish: Satin Nickel / Chrome Plated

GIANT

FEATURES

- Material: Zinc Alloy
- Installation Center Distance: 72/58mm
- Applicable Door Thickness: 45-55mm
- Scope of Application: Entry Door , Access Door, Indoor Door
- Applicable Door Type: Wooden Door, Metal Door



ZINC ALLOY

Rosette Series



Item No: R14HD40
Finish: Satin Nickel / Chrome Plated



Item No: R14HD40
Finish: Gold Plated / Satin Gold Plated



Item No: R14HD40
Finish: Antique Bronze Brushed/Gold Plated



Item No: R14HD40
Finish: Gold Plated / Chrome Plated



Item No: R14HD40
Finish: Satin Nickel

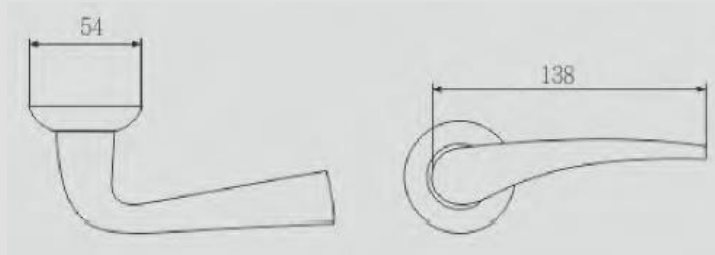


Item No: R14HD40
Finish: Satin Gold Plated / Gold Plated

TITON

FEATURES

- Material: Zinc Alloy
- Installation Center Distance: 72/58mm
- Applicable Door Thickness: 45-55mm
- Scope of Application: Entry Door , Access Door, Indoor Door
- Applicable Door Type: Wooden Door, Metal Door



ZINC ALLOY Rosette Series



Item No: R14HD143
Finish: Chrome Plated



Item No: R14HD143
Finish: Satin Gold Plated / Chrome Plated



Item No: R14HD143
Finish: Satin Nickel / Chrome Plated



Item No: R14HD143
Finish: Yellow Bronze

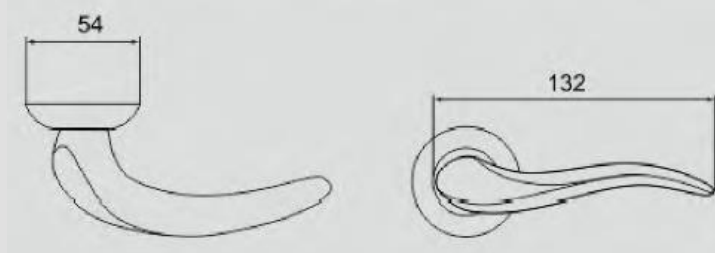


Item No: R14HD143
Finish: Gold Plated / Chrome Plated

ANDROMEDA

FEATURES

- Material: Zinc Alloy
- Installation Center Distance: 72/58mm
- Applicable Door Thickness: 45-55mm
- Scope of Application: Entry Door , Access Door, Indoor Door
- Applicable Door Type: Wooden Door, Metal Door



Accessories Series

Material: Zinc Alloy

PS ITEMS (R14 Key Hole)



Item No: PS-1
Finish: GP/SG



Item No: PS-1
Finish: GP/CP



Item No: PS-1
Finish: SG/GP



Item No: PS-1
Finish: SG/CP



Item No: PS-1
Finish: SN/CP



Item No: PS-1
Finish: AB/GP

ET ITEMS (R14 Cylinder Hole)



Item No: ET-1
Finish: GP/SG



Item No: ET-1
Finish: AWN



Item No: ET-1
Finish: SG/GP



Item No: ET-1
Finish: SG/CP



Item No: ET-1
Finish: CP



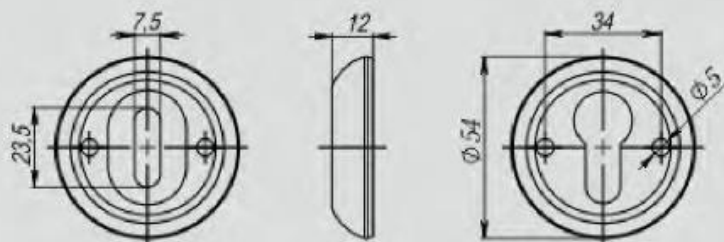
Item No: ET-1
Finish: SN/CP



Item No: ET-1
Finish: AB/GP



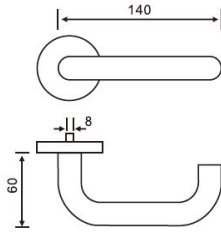
Item No: ET-1
Finish: WAB



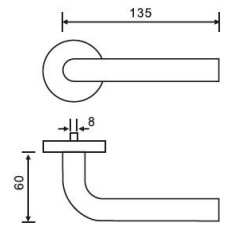
LEVER HANDLE STAINLESS STEEL



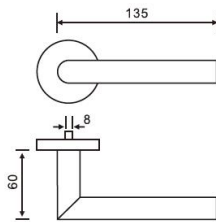
UK-S-LH.881
Safety Lever Handle



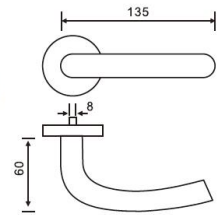
UK-S-LH.882
Straight Lever Handle



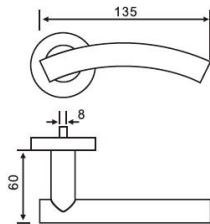
UK-S-LH.883
Mitred Lever Handle



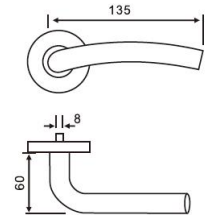
UK-S-LH.884



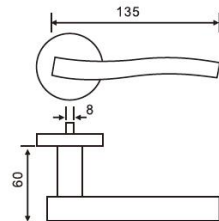
UK-S-LH.885



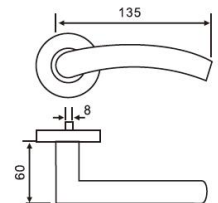
UK-S-LH.886



UK-S-LH.887



UK-S-LH.888



FEATURES

- Material: Stainless Steel 201 / 304 / 316
- Diameter: 16 / 19 / 20 / 22mm
- Spindle: 8x8 / 7x7 6x6mm
- Finish: SSS, PSS, PVD, AB, AC
- Applicable for Door Thickness: 35 – 55mm
- Concealed fixings
- Spring Assisted Chassis
- Same lever design with multiple escutcheons and functions to suit different applications

OPTIONAL VERSION



DDES001



DDES004



DDES005



DDES006

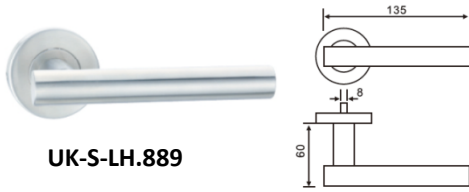


DDES009

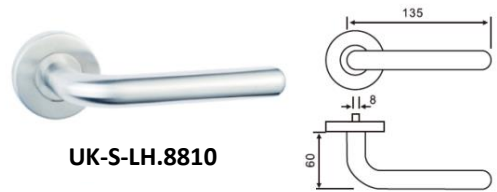


DDES010

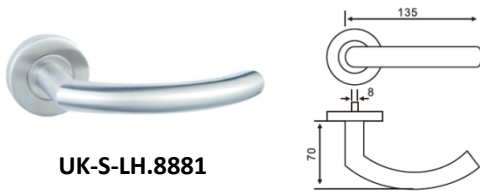
LEVER HANDLE STAINLESS STEEL



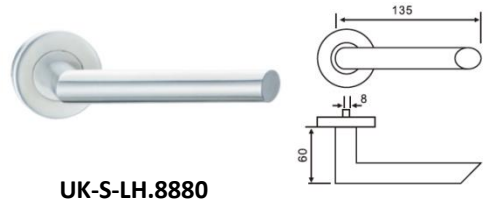
UK-S-LH.889



UK-S-LH.8810



UK-S-LH.8881



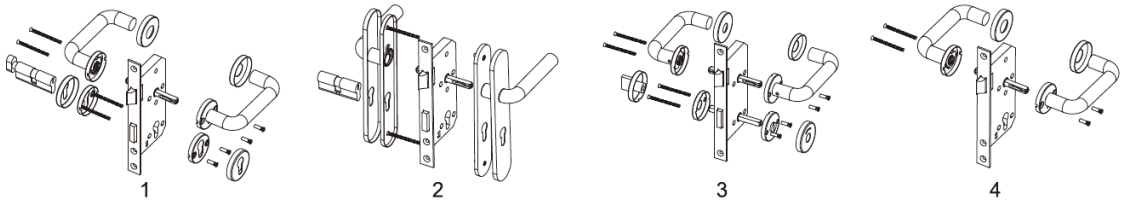
UK-S-LH.8880

FEATURES

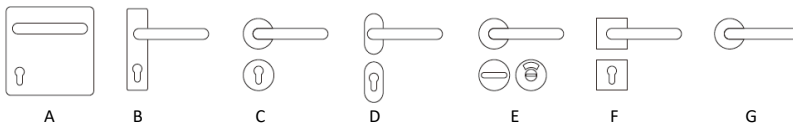
- | | |
|---|--|
| <ul style="list-style-type: none"> Material: Stainless Steel 201 / 304 / 316 Diameter: 16 / 19 / 20 / 22mm Spindle: 8x8 / 7x7 6x6mm Finish: SSS, PSS, PVD, AB, AC | <ul style="list-style-type: none"> Applicable for Door Thickness: 35 – 55mm Concealed fixings Spring Assisted Chassis Same lever design with multiple escutcheons and functions to suit different applications |
|---|--|

APPLICATION

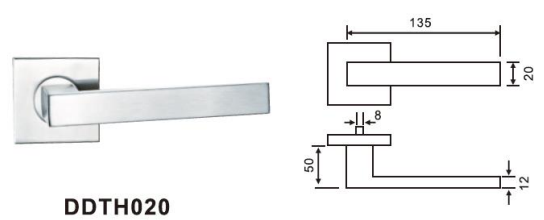
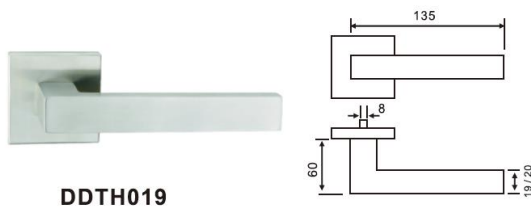
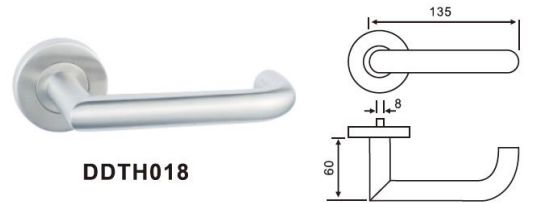
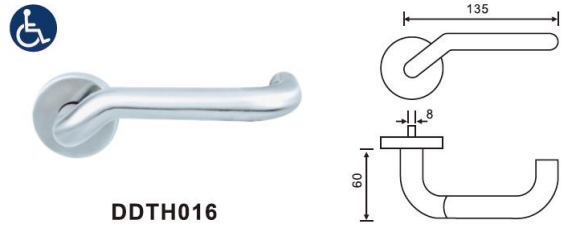
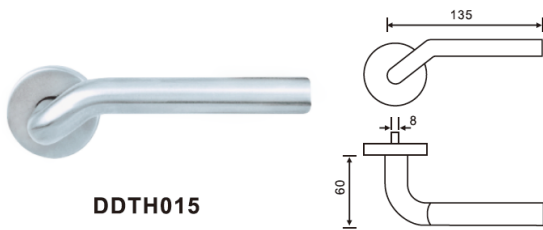
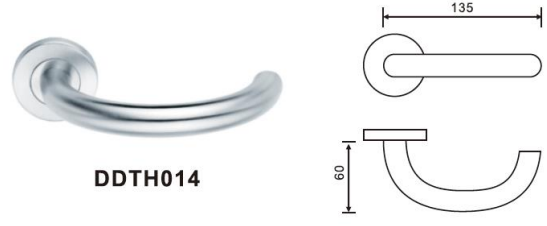
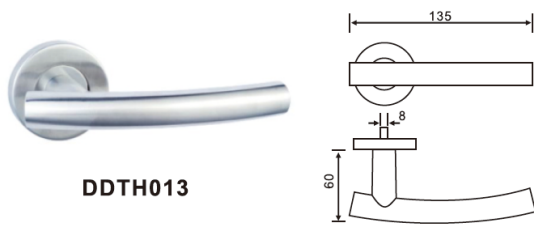
DOORS		PROJECTS	
<ul style="list-style-type: none"> Wooden Doors Steel Doors Office Doors 	<ul style="list-style-type: none"> Hollow Metal Doors Aluminum Doors Fire-Rated Doors 	<ul style="list-style-type: none"> Stadium Academic Mixed-use 	<ul style="list-style-type: none"> Hotels Airports Residential Buildings



OPTIONAL VERSION



LEVER HANDLE STAINLESS STEEL



FEATURES

- Material: Stainless Steel 201 / 304 / 316
- Diameter: 16 / 19 / 20 / 22mm
- Spindle: 8x8 / 7x7 6x6mm
- Finish: SSS, PSS, PVD, AB, AC
- Applicable for Door Thickness: 35 – 55mm
- Concealed fixings
- Spring Assisted Chassis
- Same lever design with multiple escutcheons and functions to suit different applications

OPTIONAL VERSION



DDES001



DDES004



DDES005



DDES006

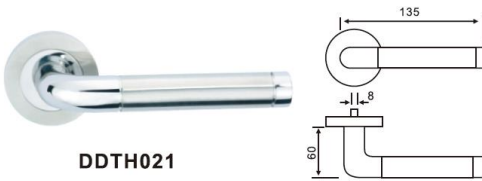


DDES009

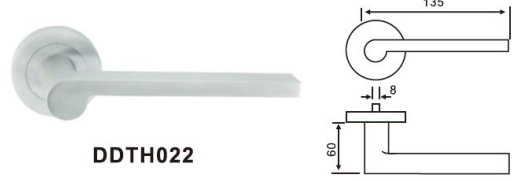


DDES010

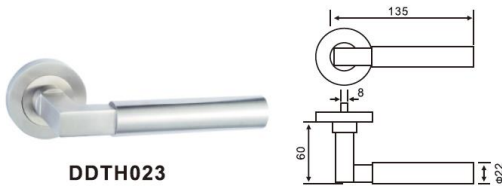
LEVER HANDLE STAINLESS STEEL



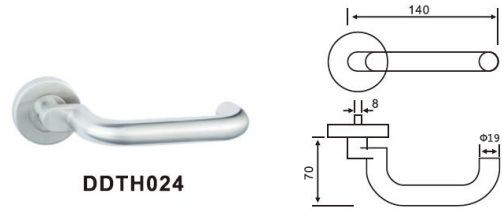
DDTH021



DDTH022



DDTH023



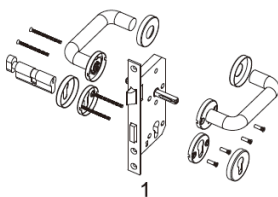
DDTH024

FEATURES

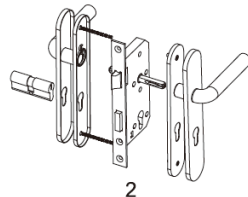
- | | |
|---|--|
| • Material: Stainless Steel 201 / 304 / 316 | • Applicable for Door Thickness: 35 – 55mm |
| • Diameter: 16 / 19 / 20 / 22mm | • Concealed fixings |
| • Spindle: 8x8 / 7x7 6x6mm | • Spring Assisted Chassis |
| • Finish: SSS, PSS, PVD, AB, AC | • Same lever design with multiple escutcheons and functions to suit different applications |

APPLICATION

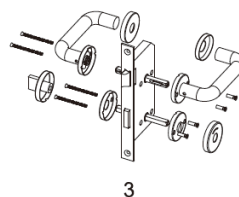
DOORS		PROJECTS	
• Wooden Doors	• Hollow Metal Doors	• Stadium	• Hotels
• Steel Doors	• Aluminum Doors	• Academic	• Airports
• Office Doors	• Fire-Rated Doors	• Mixed-use	• Residential Buildings



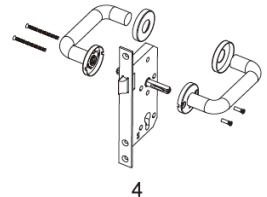
1



2



3



4

OPTIONAL VERSION



A



B



C



D



E

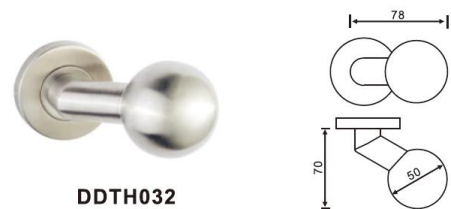
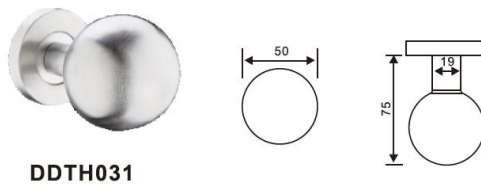
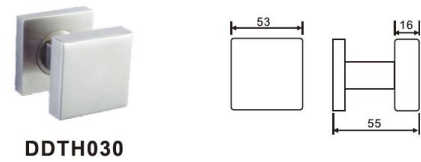
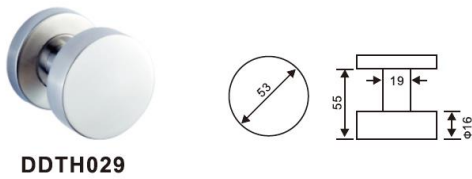
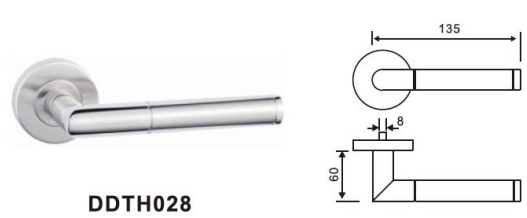
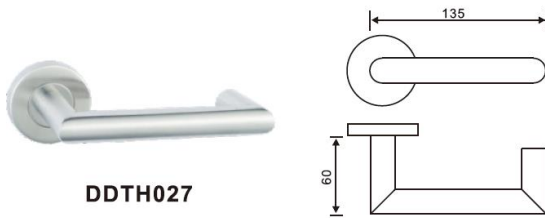
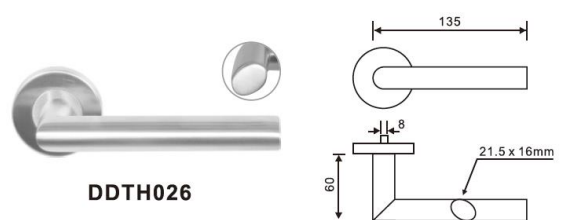
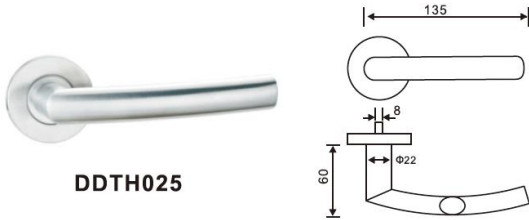


F



G

LEVER HANDLE STAINLESS STEEL



FEATURES

- Material: Stainless Steel 201 / 304 / 316
- Diameter: 16 / 19 / 20 / 22mm
- Spindle: 8x8 / 7x7 6x6mm
- Finish: SSS, PSS, PVD, AB, AC
- Applicable for Door Thickness: 35 – 55mm
- Concealed fixings
- Spring Assisted Chassis
- Same lever design with multiple escutcheons and functions to suit different applications

OPTIONAL VERSION



DDES001



DDES004



DDES005



DDES006

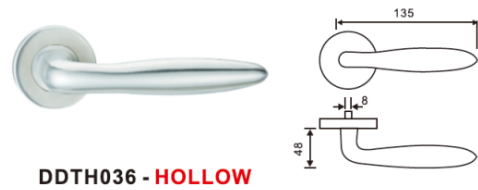
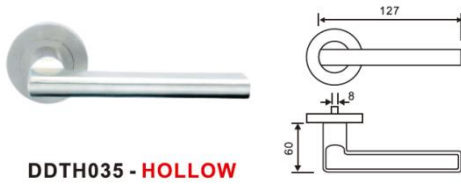
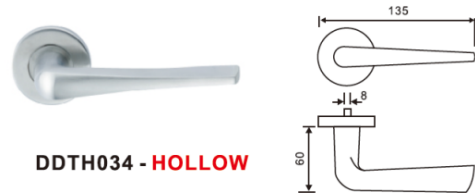
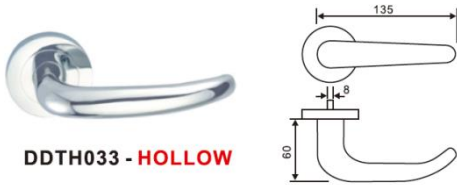


DDES009



DDES010

LEVER HANDLE STAINLESS STEEL

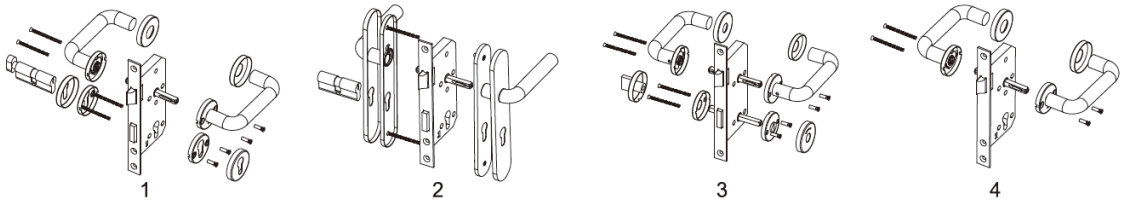


FEATURES

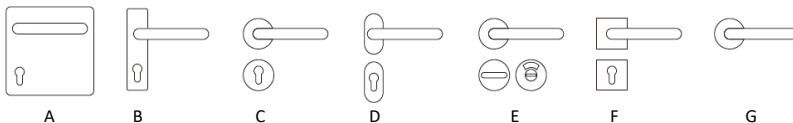
- | | |
|---|--|
| <ul style="list-style-type: none"> Material: Stainless Steel 201 / 304 / 316 Diameter: 16 / 19 / 20 / 22mm Spindle: 8x8 / 7x7 6x6mm Finish: SSS, PSS, PVD, AB, AC | <ul style="list-style-type: none"> Applicable for Door Thickness: 35 – 55mm Concealed fixings Spring Assisted Chassis Same lever design with multiple escutcheons and functions to suit different applications |
|---|--|

APPLICATION

DOORS		PROJECTS	
<ul style="list-style-type: none"> Wooden Doors Steel Doors Office Doors 	<ul style="list-style-type: none"> Hollow Metal Doors Aluminum Doors Fire-Rated Doors 	<ul style="list-style-type: none"> Stadium Academic Mixed-use 	<ul style="list-style-type: none"> Hotels Airports Residential Buildings



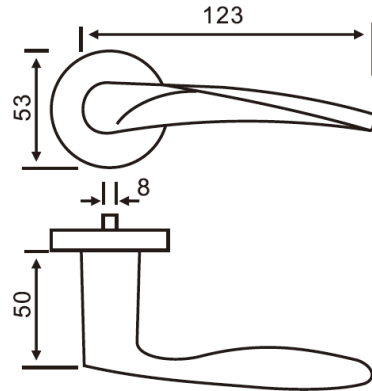
OPTIONAL VERSION



LEVER HANDLE STAINLESS STEEL



DDSH001



FEATURES	
<ul style="list-style-type: none"> Material: Stainless Steel 304 / 316 	<ul style="list-style-type: none"> Applicable for Door Thickness: 35 – 55mm
<ul style="list-style-type: none"> Rosette Type: Clip on / Thread Type 	<ul style="list-style-type: none"> Concealed fixings
<ul style="list-style-type: none"> Spindle: 8x8 / 7x7 6x6mm 	<ul style="list-style-type: none"> Spring Assisted Chassis
<ul style="list-style-type: none"> Finish: SSS, PSS, PVD, AB, AC 	<ul style="list-style-type: none"> Same lever design with multiple escutcheons and functions to suit different applications

OPTIONAL VERSION



DDES001



DDES004



DDES005



DDES008
Thread Type

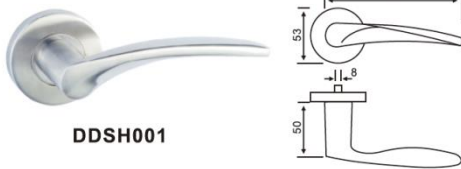


DDES009

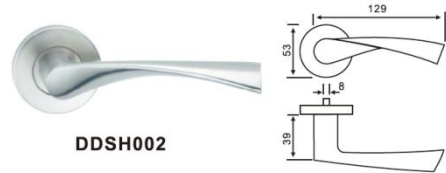


DDES011
Thread Type

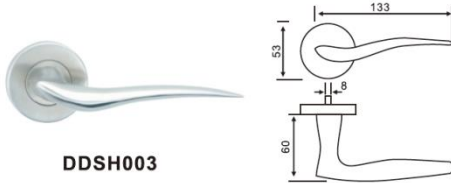
LEVER HANDLE STAINLESS STEEL



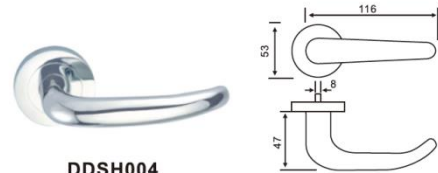
DDSH001



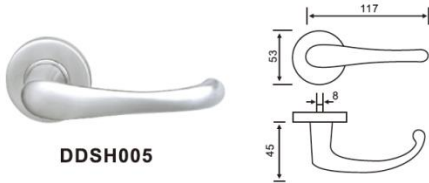
DDSH002



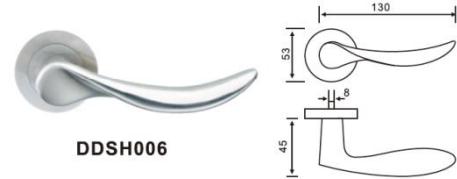
DDSH003



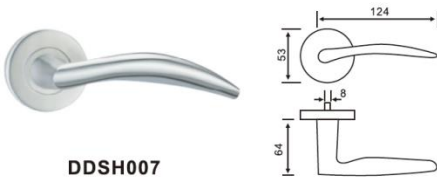
DDSH004



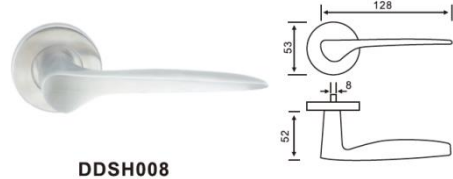
DDSH005



DDSH006



DDSH007



DDSH008

FEATURES

- | | |
|---|--|
| <ul style="list-style-type: none"> Material: Stainless Steel 304 / 316 | <ul style="list-style-type: none"> Applicable for Door Thickness: 35 – 55mm |
| <ul style="list-style-type: none"> Rosette Type: Clip on / Thread Type | <ul style="list-style-type: none"> Concealed fixings |
| <ul style="list-style-type: none"> Spindle: 8x8 / 7x7 6x6mm | <ul style="list-style-type: none"> Spring Assisted Chassis |
| <ul style="list-style-type: none"> Finish: SSS, PSS, PVD, AB, AC | <ul style="list-style-type: none"> Same lever design with multiple escutcheons and functions to suit different applications |

OPTIONAL VERSION



DDES001



DDES004



DDES005



DDES008
Thread Type

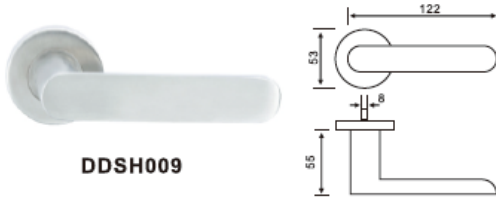


DDES009

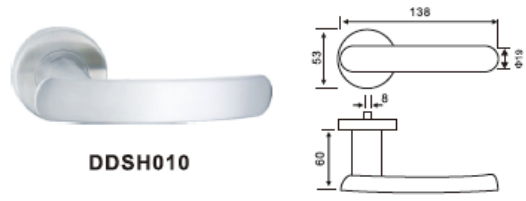


DDES011
Thread Type

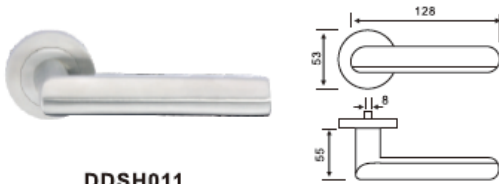
LEVER HANDLE STAINLESS STEEL



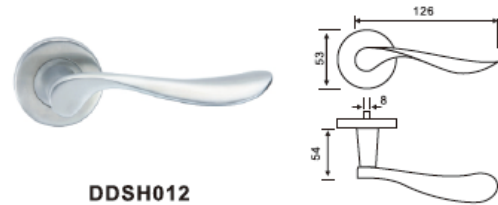
DDSH009



DDSH010



DDSH011



DDSH012

FEATURES

- Material: Stainless Steel 304 / 316
- Rosette Type: Clip on / Thread Type
- Spindle: 8x8 / 7x7 6x6mm
- Finish: SSS, PSS, PVD, AB, AC
- Applicable for Door Thickness: 35 – 55mm
- Concealed fixings
- Spring Assisted Chassis
- Same lever design with multiple escutcheons and functions to suit different applications

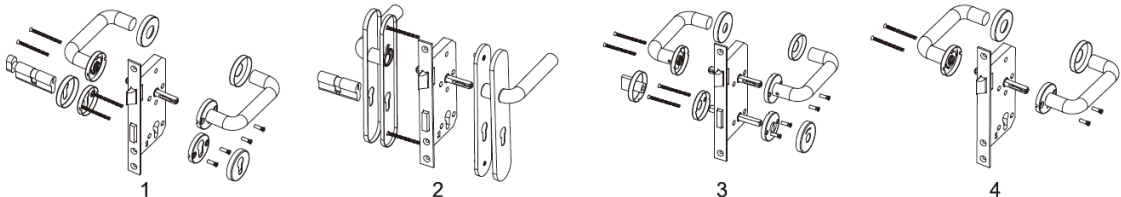
APPLICATION

DOORS

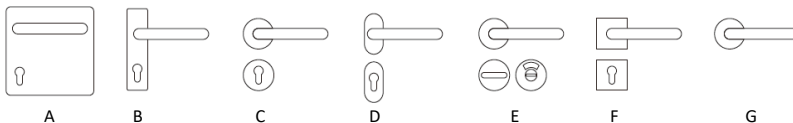
- Wooden Doors
- Steel Doors
- Office Doors
- Hollow Metal Doors
- Aluminum Doors
- Fire-Rated Doors

PROJECTS

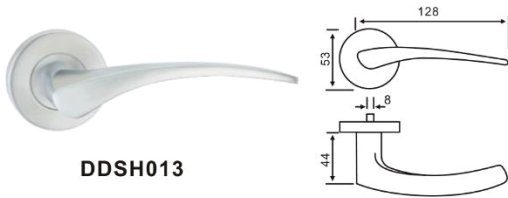
- Stadium
- Academic
- Mixed-use
- Hotels
- Airports
- Residential Buildings



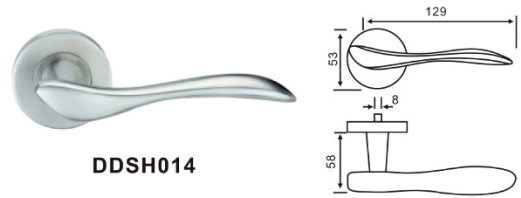
OPTIONAL VERSION



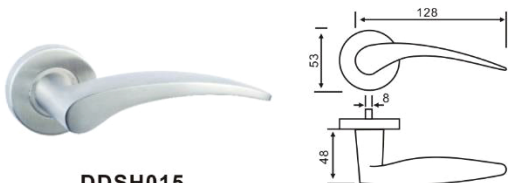
LEVER HANDLE STAINLESS STEEL



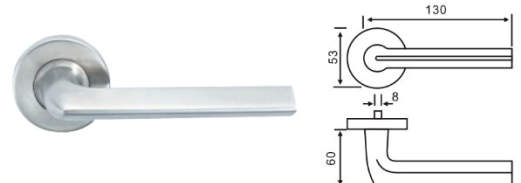
DDSH013



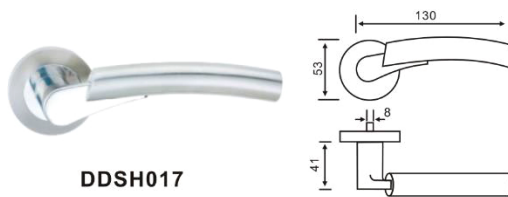
DDSH014



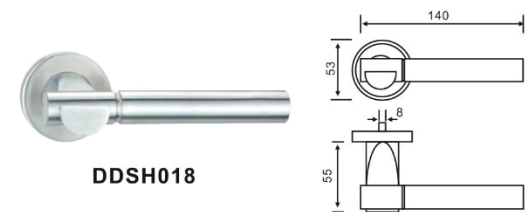
DDSH015



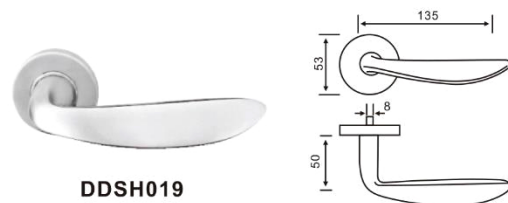
DDSH016



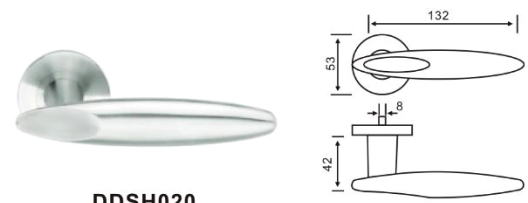
DDSH017



DDSH018



DDSH019



DDSH020

FEATURES

- Material: Stainless Steel 304 / 316
- Rosette Type: Clip on / Thread Type
- Spindle: 8x8 / 7x7 6x6mm
- Finish: SSS, PSS, PVD, AB, AC
- Applicable for Door Thickness: 35 – 55mm
- Concealed fixings
- Spring Assisted Chassis
- Same lever design with multiple escutcheons and functions to suit different applications

OPTIONAL VERSION



DDES001



DDES004



DDES005

DDES008
Thread Type

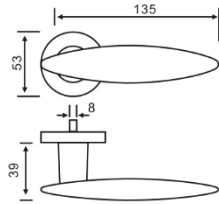
DDES009

DDES011
Thread Type

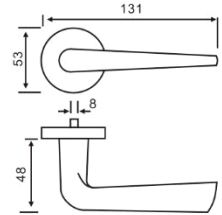
LEVER HANDLE STAINLESS STEEL



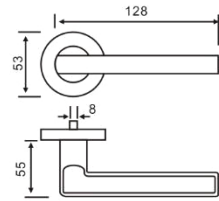
DDSH021



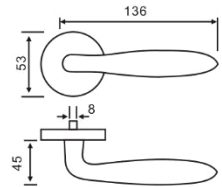
DDSH022



DDSH023



DDSH024



FEATURES

- Material: Stainless Steel 304 / 316
- Rosette Type: Clip on / Thread Type
- Spindle: 8x8 / 7x7 6x6mm
- Finish: SSS, PSS, PVD, AB, AC
- Applicable for Door Thickness: 35 – 55mm
- Concealed fixings
- Spring Assisted Chassis
- Same lever design with multiple escutcheons and functions to suit different applications

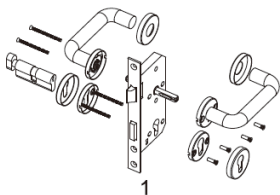
APPLICATION

DOORS

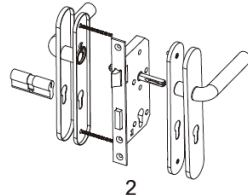
- Wooden Doors
- Steel Doors
- Office Doors
- Hollow Metal Doors
- Aluminum Doors
- Fire-Rated Doors

PROJECTS

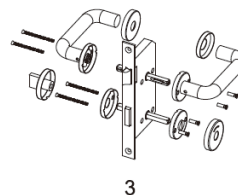
- Stadium
- Academic
- Mixed-use
- Hotels
- Airports
- Residential Buildings



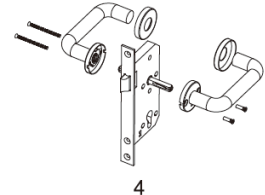
1



2



3



4

OPTIONAL VERSION



A



B



C



D



E



F

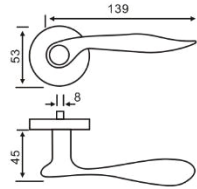


G

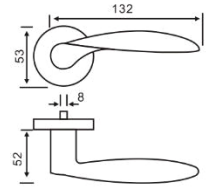
LEVER HANDLE STAINLESS STEEL



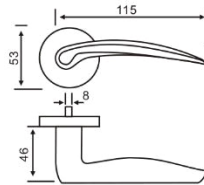
DDSH025



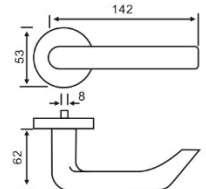
DDSH026



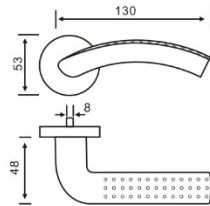
DDSH027



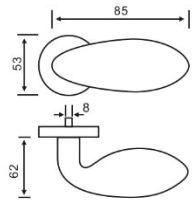
DDSH028



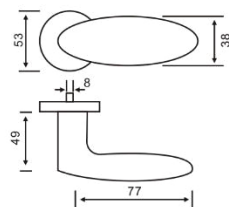
DDSH029



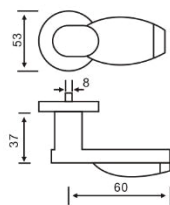
DDSH030



DDSH031



DDSH032



FEATURES

- Material: Stainless Steel 304 / 316
- Rosette Type: Clip on / Thread Type
- Spindle: 8x8 / 7x7 6x6mm
- Finish: SSS, PSS, PVD, AB, AC
- Applicable for Door Thickness: 35 – 55mm
- Concealed fixings
- Spring Assisted Chassis
- Same lever design with multiple escutcheons and functions to suit different applications

OPTIONAL VERSION



DDES001



DDES004



DDES005



DDES008
Thread Type

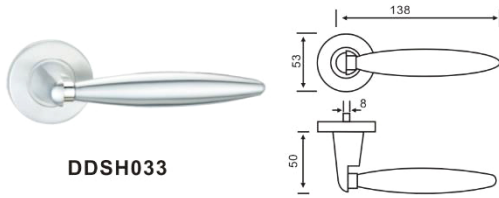


DDES009

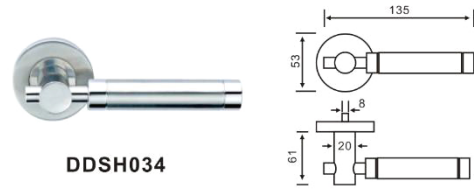


DDES011
Thread Type

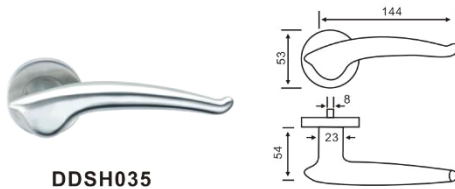
LEVER HANDLE STAINLESS STEEL



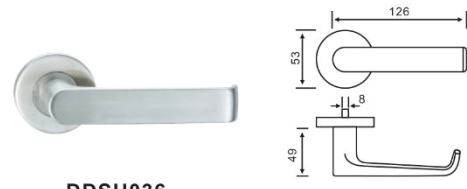
DDSH033



DDSH034



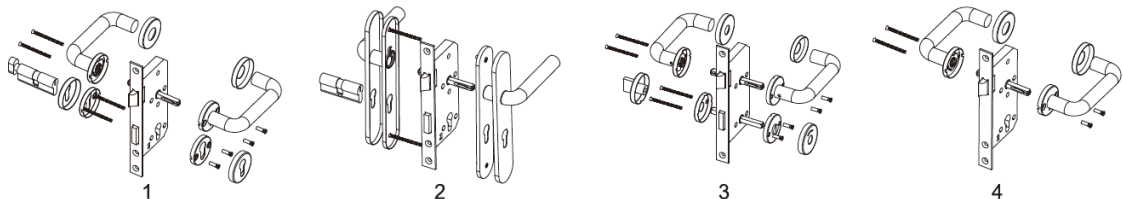
DDSH035



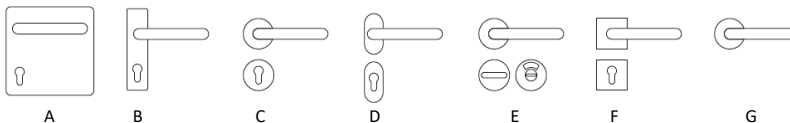
DDSH036

FEATURES	
<ul style="list-style-type: none"> Material: Stainless Steel 304 / 316 	<ul style="list-style-type: none"> Applicable for Door Thickness: 35 – 55mm
<ul style="list-style-type: none"> Rosette Type: Clip on / Thread Type 	<ul style="list-style-type: none"> Concealed fixings
<ul style="list-style-type: none"> Spindle: 8x8 / 7x7 6x6mm 	<ul style="list-style-type: none"> Spring Assisted Chassis
<ul style="list-style-type: none"> Finish: SSS, PSS, PVD, AB, AC 	<ul style="list-style-type: none"> Same lever design with multiple escutcheons and functions to suit different applications

APPLICATION			
DOORS		PROJECTS	
<ul style="list-style-type: none"> Wooden Doors 	<ul style="list-style-type: none"> Hollow Metal Doors 	<ul style="list-style-type: none"> Stadium 	<ul style="list-style-type: none"> Hotels
<ul style="list-style-type: none"> Steel Doors 	<ul style="list-style-type: none"> Aluminum Doors 	<ul style="list-style-type: none"> Academic 	<ul style="list-style-type: none"> Airports
<ul style="list-style-type: none"> Office Doors 	<ul style="list-style-type: none"> Fire-Rated Doors 	<ul style="list-style-type: none"> Mixed-use 	<ul style="list-style-type: none"> Residential Buildings



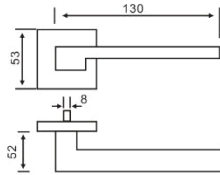
OPTIONAL VERSION



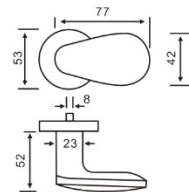
LEVER HANDLE STAINLESS STEEL



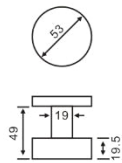
DDSH037



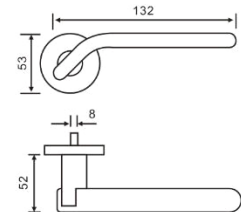
DDSH038



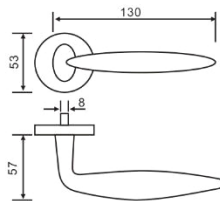
DDSH039



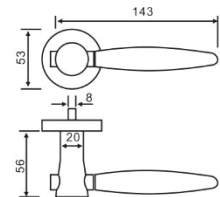
DDSH040



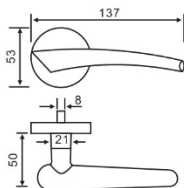
DDSH041



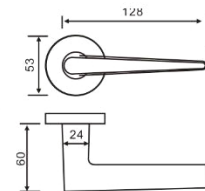
DDSH042



DDSH043



DDSH044



FEATURES

- Material: Stainless Steel 304 / 316
- Rosette Type: Clip on / Thread Type
- Spindle: 8x8 / 7x7 6x6mm
- Finish: SSS, PSS, PVD, AB, AC
- Applicable for Door Thickness: 35 – 55mm
- Concealed fixings
- Spring Assisted Chassis
- Same lever design with multiple escutcheons and functions to suit different applications

OPTIONAL VERSION



DDES001



DDES004



DDES005



DDES008
Thread Type

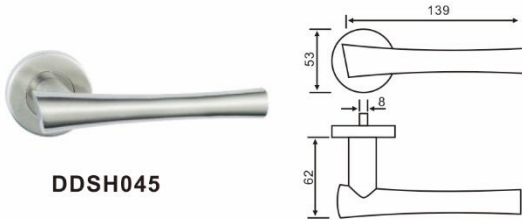


DDES009

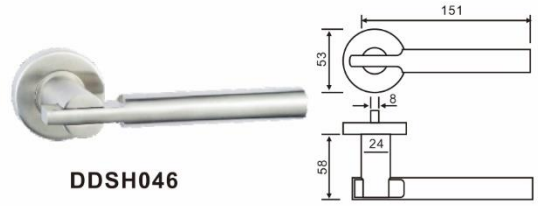


DDES011
Thread Type

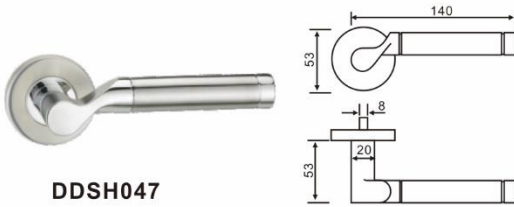
LEVER HANDLE STAINLESS STEEL



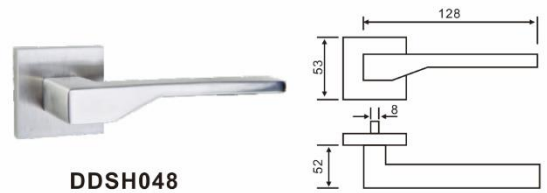
DDSH045



DDSH046



DDSH047



DDSH048

FEATURES

- Material: Stainless Steel 304 / 316
- Rosette Type: Clip on / Thread Type
- Spindle: 8x8 / 7x7 6x6mm
- Finish: SSS, PSS, PVD, AB, AC
- Applicable for Door Thickness: 35 – 55mm
- Concealed fixings
- Spring Assisted Chassis
- Same lever design with multiple escutcheons and functions to suit different applications

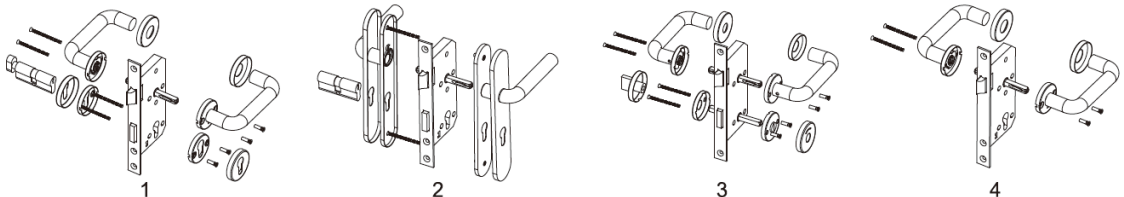
APPLICATION

DOORS

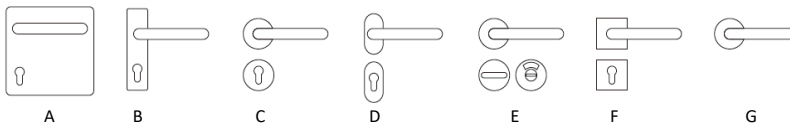
- Wooden Doors
- Steel Doors
- Office Doors
- Hollow Metal Doors
- Aluminum Doors
- Fire-Rated Doors

PROJECTS

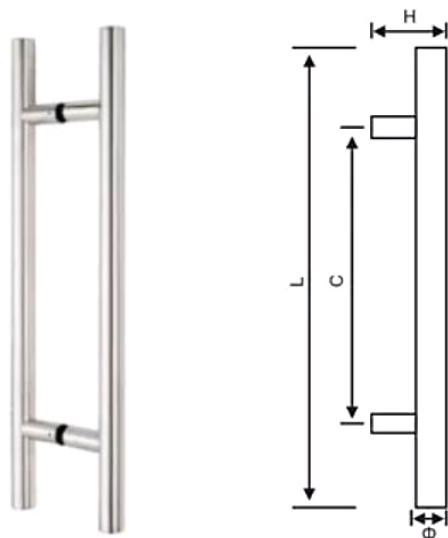
- Stadium
- Academic
- Mixed-use
- Hotels
- Airports
- Residential Buildings



OPTIONAL VERSION



PULL HANDLE STAINLESS STEEL



UK-00701

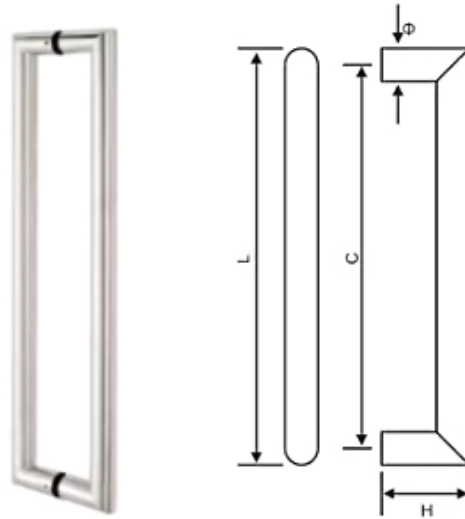
T Bar Pull Handle

Art No.:	∅	C	L	H
A	22	200	300	65
B	25	300	450	80
C	25	450	600	80
D	25	600	800	80
E	30	450	600	80
F	30	600	800	80
G	32	600	800	80
H	32	700	1000	80
I	38	1200	1500	85

FEATURES

- Material: Stainless Steel 304 / 316
- Back to back fixing, Bolt through fixing
- Thickness: 1.0mm, 1.2mm, 1.5mm
- Finish: SSS, PSS, PVD, AB, AC
- For Glass Door, Timber Door, Metal Door

PULL HANDLE STAINLESS STEEL



UK-00702

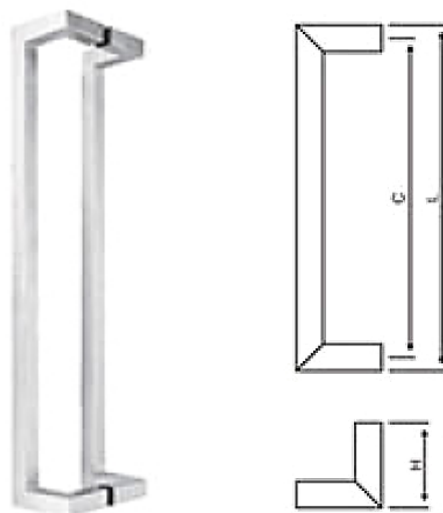
Mitred Pull Handle

Art No.:	Ø	C	L	H
A	22	200	222	65
B	22	250	272	65
C	25	300	325	80
D	25	450	475	80
E	25	600	625	80
F	30	600	630	80
G	30	800	830	80
H	32	1000	1032	80

FEATURES

- Material: Stainless Steel 304 / 316
- Back to back fixing, Bolt through fixing
- Thickness: 1.0mm, 1.2mm, 1.5mm
- Finish: SSS, PSS, PVD, AB, AC
- For Glass Door, Timber Door, Metal Door

PULL HANDLE STAINLESS STEEL



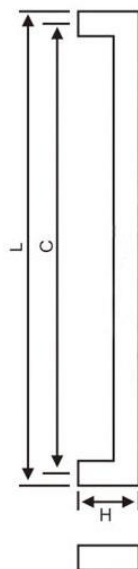
UK-00711

Art No.:	Ø	C	L	H
A	25x25	300	325	80
B	25x25	450	475	80
C	25x25	600	625	80
D	40x20	600	640	80
E	40x20	800	840	80

FEATURES

- Material: Stainless Steel 304 / 316
- Back to back fixing, Bolt through fixing
- Thickness: 1.0mm, 1.2mm, 1.5mm
- Finish: SSS, PSS, PVD, AB, AC
- For Glass Door, Timber Door, Metal Door

PULL HANDLE STAINLESS STEEL



UK-00715

Allure Pull Handle

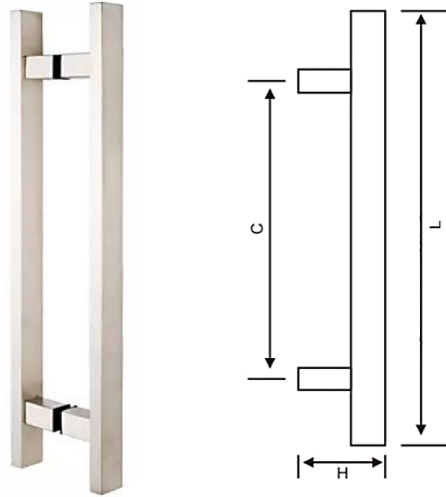
Art No.:	Ø	C	L	H
A	20x20	200	220	65
B	20x20	250	270	65
C	20x20	300	320	65
D	20x20	400	420	65
E	25x25	300	325	75
F	25x25	450	475	75
G	25x25	600	625	75
H	30x30	300	330	80
I	30x30	400	430	80
J	30x30	500	530	80
K	30x30	600	630	80

Art No.:	Ø	C	L	H
L	30x30	800	830	80
M	30x15	200	215	65
N	30x15	250	265	65
O	30x15	300	315	65
P	30x15	400	415	65
Q	30x15	600	615	65
R	40x20	300	320	75
S	40x20	400	420	75
T	40x20	500	520	75
U	40x20	600	620	75
V	40x20	800	820	75

FEATURES

- Material: Stainless Steel 304 / 316
- Back to back fixing, Bolt through fixing
- Thickness: 1.0mm, 1.2mm, 1.5mm
- Finish: SSS, PSS, PVD, AB, AC
- For Glass Door, Timber Door, Metal Door

PULL HANDLE STAINLESS STEEL



UK-00716

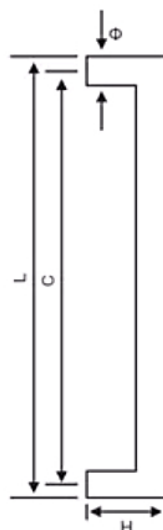
Square T Shape Pull Handle

Art No.:	∅	C	L	H
A	25x25	200	300	75
B	25x25	300	450	75
C	25x25	450	600	75
D	25x25	600	800	75
E	30x30	300	450	80
F	30x30	450	600	80
G	30x30	600	800	80
H	30x30	800	1000	80
I	30x30	1000	1200	80

FEATURES

- Material: Stainless Steel 304 / 316
- Back to back fixing, Bolt through fixing
- Thickness: 1.0mm, 1.2mm, 1.5mm
- Finish: SSS, PSS, PVD, AB, AC
- For Glass Door, Timber Door, Metal Door

PULL HANDLE STAINLESS STEEL



UK-00720

Art No.:	Ø	C	L	H
A	19	150	169	60
B	19	225	244	60
C	19	250	269	60
D	2	250	272	60
E	22	300	322	60
F	22	400	422	60
G	25	450	475	80
H	25	600	625	80
I	30	600	630	80
J	30	800	830	80
K	32	600	632	80

FEATURES

- Material: Stainless Steel 304 / 316
- Back to back fixing, Bolt through fixing
- Thickness: 1.0mm, 1.2mm, 1.5mm
- Finish: SSS, PSS, PVD, AB, AC
- For Glass Door, Timber Door, Metal Door

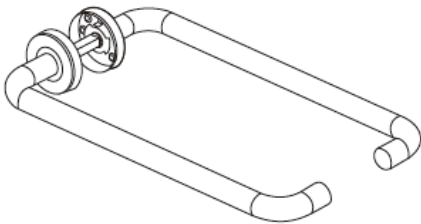
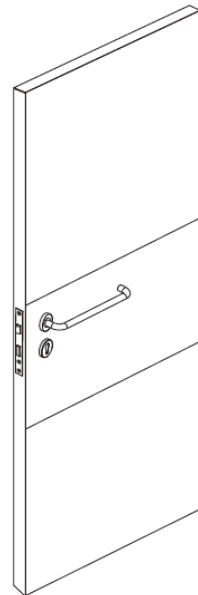
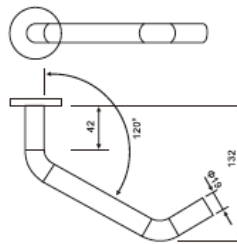
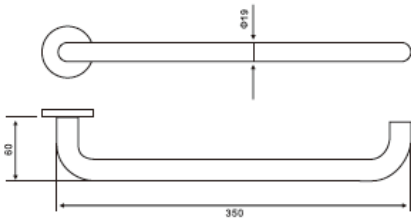
STAINLESS STEEL

Disable Handle



DDTH037
Disable handle

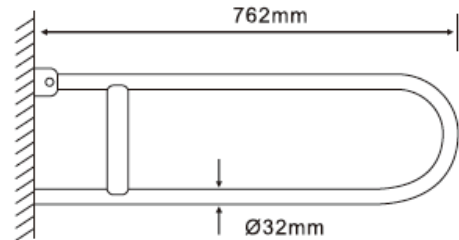
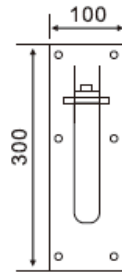
OPTIONAL VERSION



FEATURES

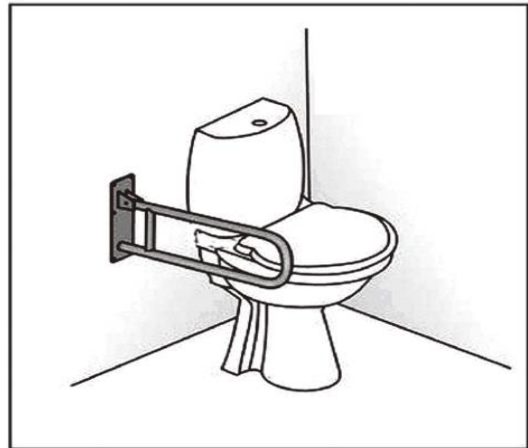
- Application Range: Hospital, Warehouse, or Public Area
- Apply to disabled person
- Optionally match up with Panic lock or Passenger lock
- Handle shape and length can be designed accordingly

STAINLESS STEEL Disabled Safety Grab Bar



DDTH038

Disabled Safety Grab Bar



DISABLED SAFETY GARB BAR

Grab bars for the bath and shower assist elderly and disabled with getting in and out easily. Bathroom grab bars are available in many types, such as steel grab bars. Also, grab bar installation is very easy as they mount on the shower wall.

FEATURES

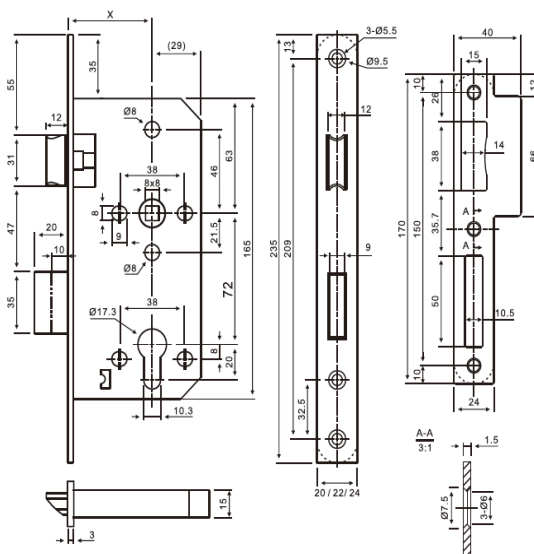
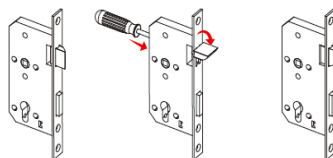
- Maximum weight capacity of 220 lbs
- Material: Heavy Duty 304 Stainless Steel
- Finish: Satin, PSS
- Length: 30"
- Installation: For Right or Left Handed

LOCK

SASH LOCK UK-S 008-9 SERIES



Lockcase Reversible Direction



PRODUCT CLASSIFICATION

3 X 9 1 0 G 3 B C 2 0

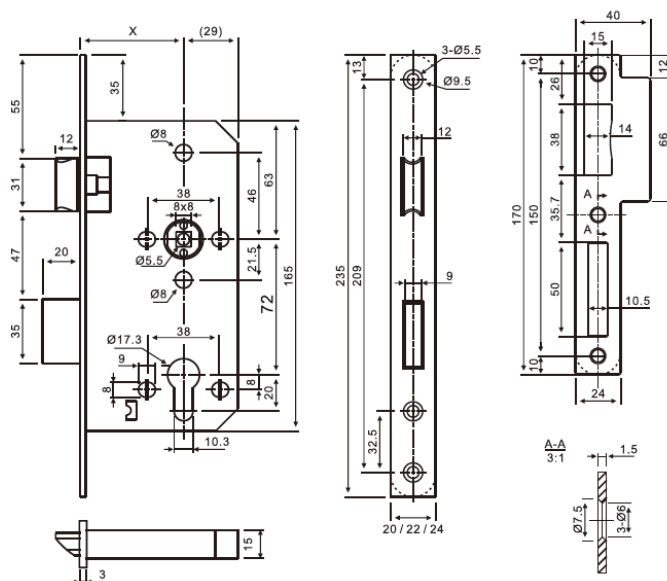
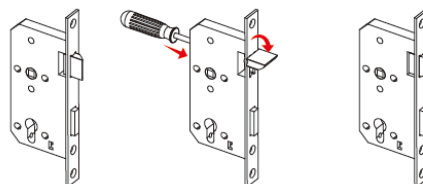
• Certification	CE EN12209 / DIN 18251 Grade 3, 200,000 test cycles, EN1634: 240 Min Fire rated, EN1670: 240 hours Corrosion Resistance.
• CE Classification	3X910G3BC20
• Backset	55mm, 60mm, 65mm, 70mm, 80mm
• Distance	72mm
• Material	Solid SUS 304 Latchbolt & Deadbolt, Follower, SUS 304 Forend, Strike Plate.
• Forend & Strike Plate	Square or Radius
• Finish	SSS, PSS, PVD, PB, AB, AC
• Application	Entrance door of commercial or residential application.
• Suitable for	Wooden Door, Metal Door, Fire Door, Smoke Door, Interior Door, Outer Door, Swing Door, etc.

Model No.	Backset (mm)	C to C distance (mm)
UK-S 008-95572	55mm	72
UK-S 008-96072	60mm	72
UK-S 008-96572	65mm	72
UK-S 008-97072	70mm	72
UK-S 008-98072	80mm	72

EMERGENCY ESCAPE LOCK UK-S 008-009E SERIES



Lockcase Reversible Direction

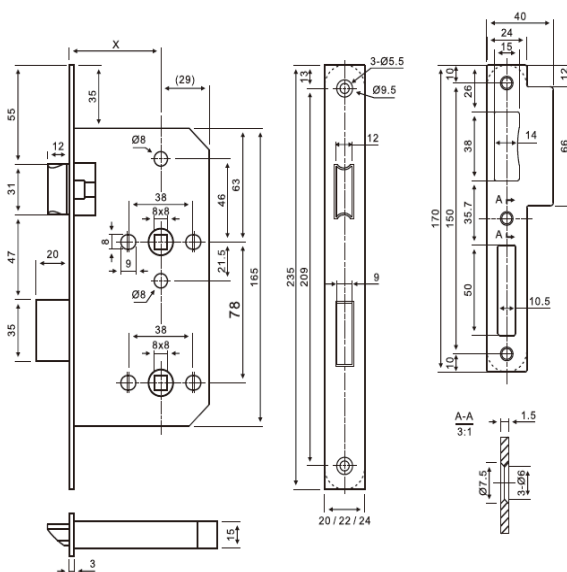
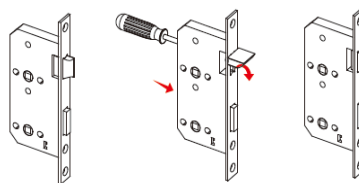


• Dead Bolt	1-turn
• Backset	55mm, 60mm
• Distance	72mm
• Material	Solid SUS 304 Latch bolt & Dead bolt, Follower, SUS 304 Forend, Strike Plate
• Forend & Strike Plate	Square or Radius
• Finish	SSS, PSS, PVD, PB, AB, AC
• Application	Escape door of commercial application
• Suitable for	Escape Door, Wooden Door, Metal Door, Fire Door, Smoke Door, Interior Door, Outer Door, Swing Door, etc.

BATHROOM LOCK UK-S 008-12 SERIES



Lockcase Reversible Direction



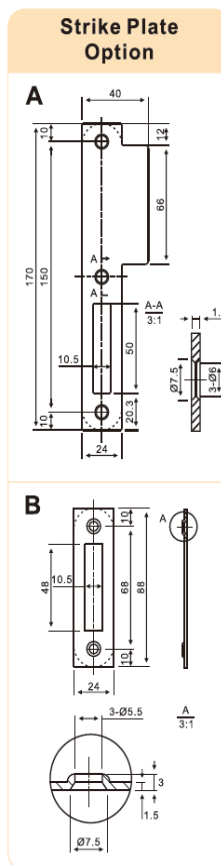
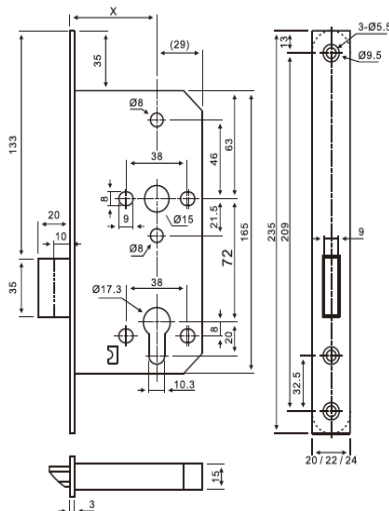
PRODUCT CLASSIFICATION

3 X 9 1 0 G - B 0 2 0

• Certification	CE EN12209 / DIN 18251 Grade 3, 200,000 test cycles, EN1634: 240 Min Fire rated, EN1670: 240 hours Corrosion Resistance.
• CE Classification	3X910G-B020
• Backset	55mm, 60mm, 65mm
• Distance	78mm
• Material	Solid SUS 304 Latchbolt & Deadbolt, Follower, SUS 304 Forend, Strike Plate.
• Forend & Strike Plate	Square or Radius
• Finish	SSS, PSS, PVD, PB, AB, AC
• Application	Bathroom or Toilet door of commercial or residential application.
• Suitable for	Wooden Door, Metal Door, Fire Door, Smoke Door, Interior Door, Outer Door, Swing Door, etc.

Model No.	Backset (mm)	C to C distance (mm)
UK-S 008-125578	55mm	78
UK-S 008-126078	60mm	78
UK-S 008-126578	65mm	78

DEADLOCKING BOLT UK-S 008-13 SERIES



PRODUCT CLASSIFICATION

3 X 9 1 0 G 3 B C 0 0

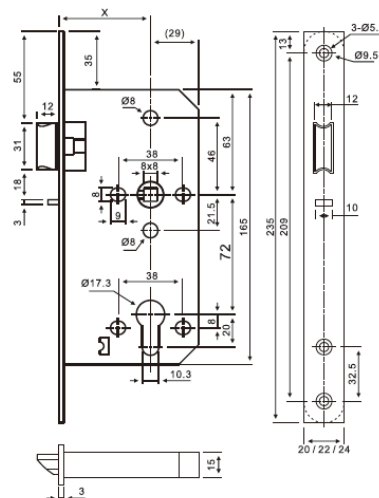
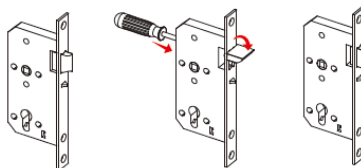
• Certification	CE EN12209 / DIN 18251 Grade 3, 200,000 test cycles, EN1634: 240 Min Fire rated, EN1670: 240 hours Corrosion Resistance.
• CE Classification	3X910G3BC00
• Backset	55mm, 60mm, 65mm
• Distance	72mm
• Material	Solid SUS 304 Latchbolt & Deadbolt, Follower, SUS 304 Forend, Strike Plate.
• Forend & Strike Plate	Square or Radius
• Finish	SSS, PSS, PVD, PB, AB, AC
• Application	Entrance or Store Room door of commercial or residential application.
• Suitable for	Wooden Door, Metal Door, Fire Door, Smoke Door, Interior Door, Outer Door, Swing Door, etc.

Model No.	Backset (mm)	C to C distance (mm)
UK-S 008-135572	55mm	72
UK-S 008-136072	60mm	72
UK-S 008-136572	65mm	72

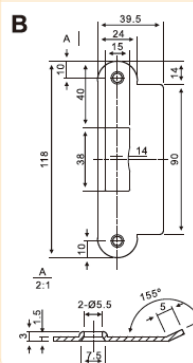
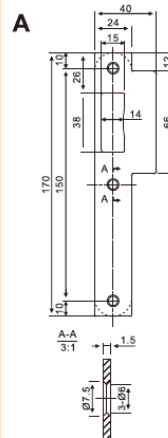
CLASSROOM LOCK UK-S 008-015 SERIES



Lockcase Reversible Direction



Strike Plate
Option



• Backset	55mm, 60mm
• Distance	72mm
• Material	Solid SUS 304 Latch bolt & Dead bolt, Follower, SUS 304 Forend, Strike Plate
• Forend & Strike Plate	Square or Radius
• Finish	SSS, PSS, PVD, PB, AB, AC
• Application	Classroom door of commercial or residential application
• Suitable for	Wooden Door, Metal Door, Fire Door, Smoke Door, Interior Door, Outer Door, Swing Door, etc.

MORTISE LOCK SERIES



Features

- According to EN12209-Grade 3, DIN18251-1
- Applicable for kinds of swing gate, wooden doors, steel doors, etc.
- Prepared for standard Euro Profile Cylinder
- Latch bolt has reversible ability
- Dead bolt-2 turns

ENTRANCE UK-S 008-016	ROLLER UK-S 008-017	STORE ROOM UK-S 008-018	PASSAGE UK-S 008-019	PRIVACY UK-S 008-020

TECHNICAL DATA		FOREND	
Follower	8 x 8mm	Type	Radius Head, Square Head
Distance	72mm, 85mm	Thickness	3mm
Backset	40mm, 45mm, 50mm, 55mm, 60mm	Width	22mm, 23mm, 24mm
		Finish	SSS, PSS, PVD, AB, AC



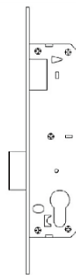

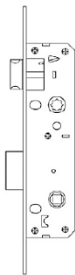
MATERIAL	
Latch Bolt	Brass, Zinc Alloy, Stainless Steel
Dead Bolt	Brass, Zinc Alloy, Stainless Steel
Follower	Brass, Zinc Alloy, Stainless Steel
Forend	Stainless Steel

NARROW STILE LOCK SERIES



Features

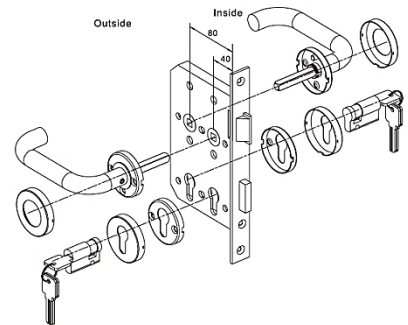
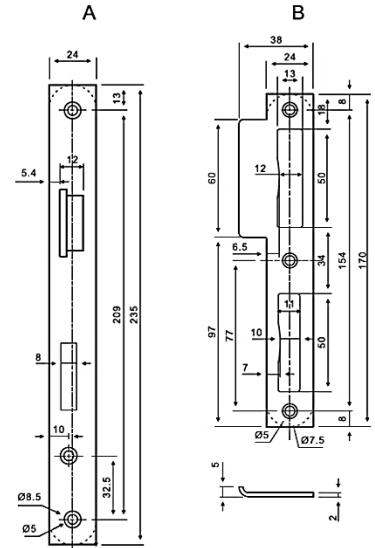
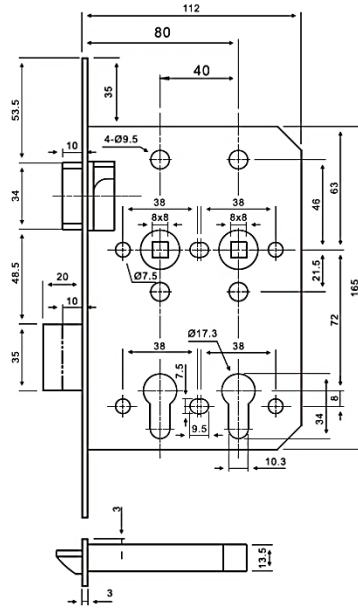
- According to EN12209-Grade 3, DIN18251-1
- Applicable for kinds of swing gate, wooden doors, steel doors, etc.
- Prepared for standard Euro Profile Cylinder
- Latch bolt has reversible ability
- Dead bolt-1 turn

				
ENTRANCE UK-S 008-021	ROLLER UK-S 008-022	STORE ROOM UK-S 008-023	PASSAGE UK-S 008-024	PRIVACY UK-S 008-025

TECHNICAL DATA		FOREND	
Follower	8 x 8mm	Type	Radius Head, Square Head
Distance	85mm, 92mm	Thickness	2.5mm
Backset	20mm, 25mm, 30mm, 35mm	Width	16mm, 22mm
		Finish	SSS, PSS, PVD, AB, AC

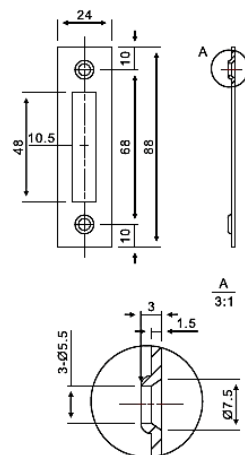
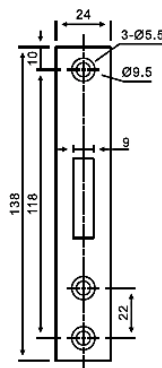
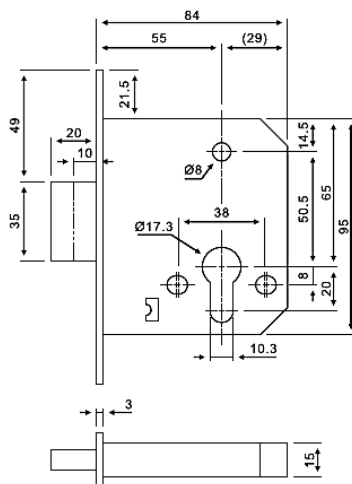
MATERIAL	
Latch Bolt	Brass, Zinc Alloy, Stainless Steel
Dead Bolt	Brass, Zinc Alloy, Stainless Steel
Follower	Brass, Zinc Alloy, Stainless Steel, Steel
Forend	Stainless Steel

MORTISE X-RAY LOCK UK-S 008-027



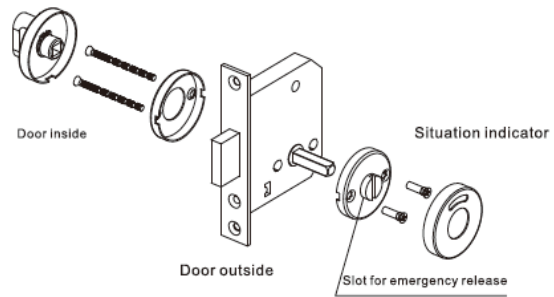
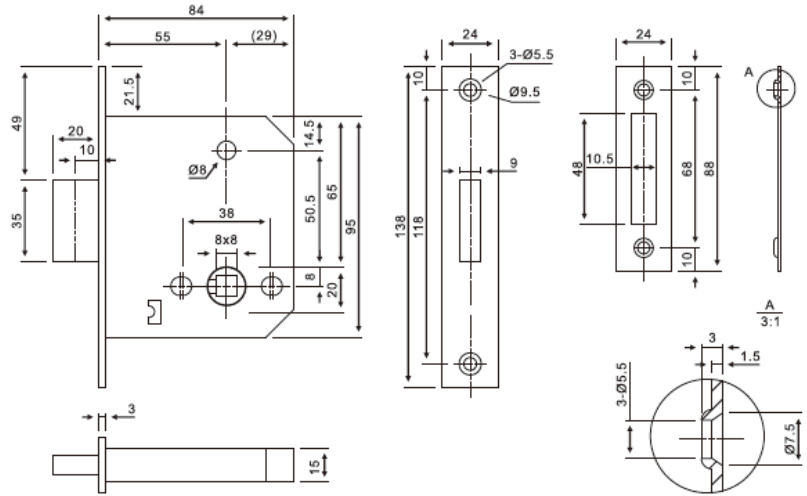
• Backset	40mm, 80mm
• Distance	72mm
• Follower	8 x 8mm
• Material	Solid SUS 304 Latch bolt & Dead bolt, Follower, SUS 304 Forend, Strike Plate
• Forend & Strike Plate	Square or Radius
• Finish	SSS, PSS, PVD, PB, AB, AC
• Suitable for	X-Ray door of Hospital application, Ultrasonic test room doors.

DEADBOLT LOCK BODY UK-S 008-029



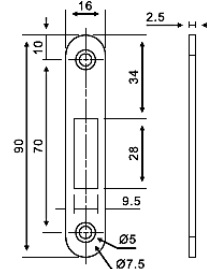
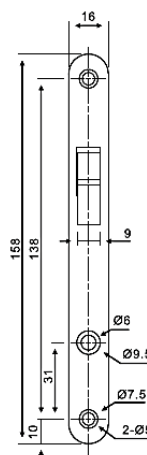
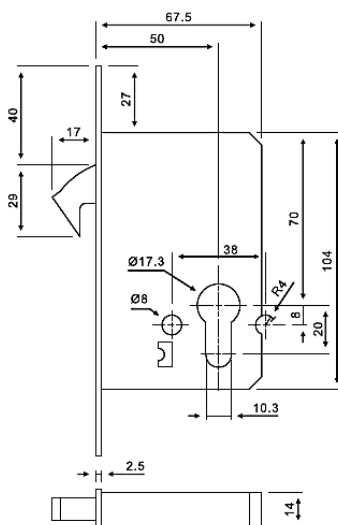
• Backset	55mm
• Material	Solid SUS 304 Deadbolt, SUS 304 Forend, Strike Plate
• Deadbolt	2 turns
• Finish	SSS, PSS, PVD, PB, AB, AC
• Application	Toilet door of commercial or residential application
• Suitable for	Wooden Door, Metal Door, Interior Door, Outer Door, Swing Door, etc.

DEADBOLT LOCK BODY UK-S 008-029-B



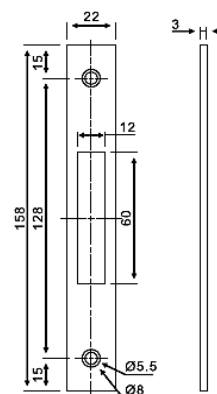
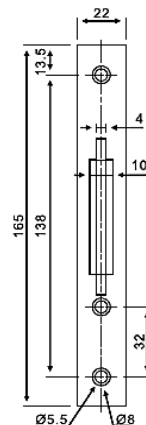
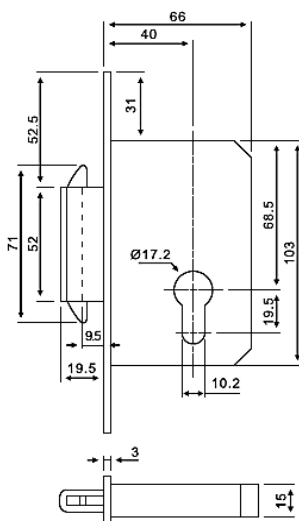
• Backset	55mm
• Material	Solid SUS 304 Deadbolt, SUS 304 Forend, Strike Plate
• Deadbolt	2 turns
• Finish	SSS, PSS, PVD, PB, AB, AC
• Application	Toilet door of commercial or residential application
• Suitable for	Wooden Door, Metal Door, Interior Door, Outer Door, Swing Door, etc.

SLIDING DOOR HOOK LOCK UK-S 008-031



• Backset	50mm
• Material	Solid SUS 304 Hook Bolt, SUS 304 Forend, Strike Plate
• Forend Plate	W16xH158xT2.5mm, Radius Head
• Finish	SSS, PSS, PVD, PB, AB, AC
• Suitable for	Sliding Door, Wooden Door, Metal Door, Interior Door, etc.

SLIDING DOOR DOUBLE HOOK LOCK UK-S 008-031-B SERIES

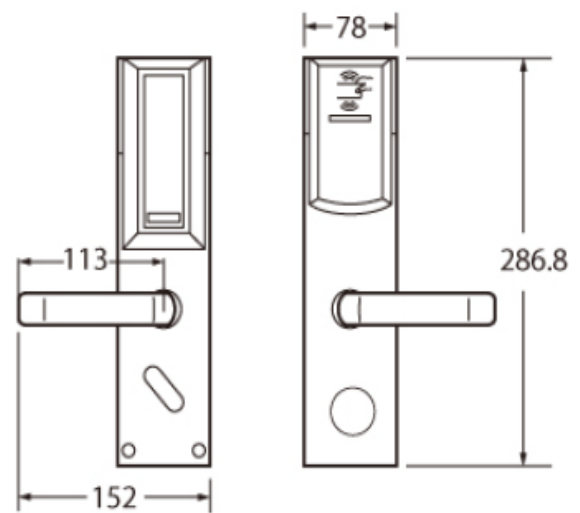


• Backset	40mm, 50mm
• Material	SUS 304 Forend, Strike Plate, Steel Hook Bolt
• Forend & Strike Plate	Square
• Finish	SSS, PSS, PVD, PB, AB, AC
• Application	Sliding Door of commercial or residential application
• Suitable for	Sliding Door, Wooden Door, Metal Door, Interior Door, etc.

RFID LOCK

ADVANCED HOTEL LOCKS

1800 Mortise Stainless Steel - Fire Rated



Back View

Front View

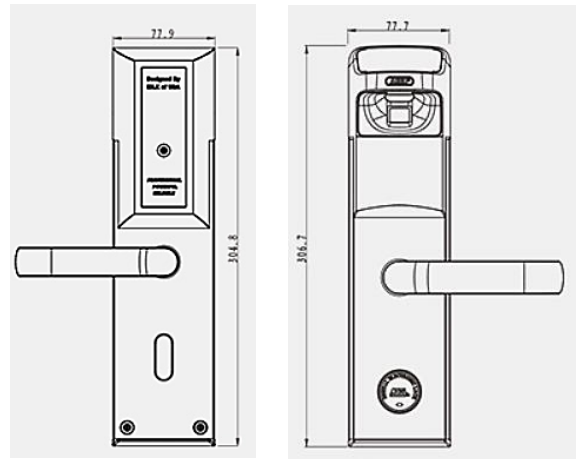
All dimensions are in mm

FEATURES

- Cast steel unified structure
- High damage resistance
- Anti-pick latch design and anti-friction latch alarming system enable duple safety.
- Card Type: Mifare Card
- Working Voltage: DC 6V (4 x AA battery)
- Static Consumption: 100uA
- Dynamic Consumption: <2000mA
- Battery Life: Approximately 15,000 times of normal operations
- Low Voltage Alarm: Three “beep” sounds alarming while the voltage is lower than 4.5V
- Unlocking Record: Audit trail records the latest 828 lock openings including mechanical override.
- Mechanical key: Override ensures prompt emergency opening when electric key is invalid while the lock is in the status of double-lock.
- Applicable for door thickness: 38 – 70mm

ADVANCED HOTEL LOCKS

333 Mortise –Stainless Steel – Fire rated



Back View

Front View

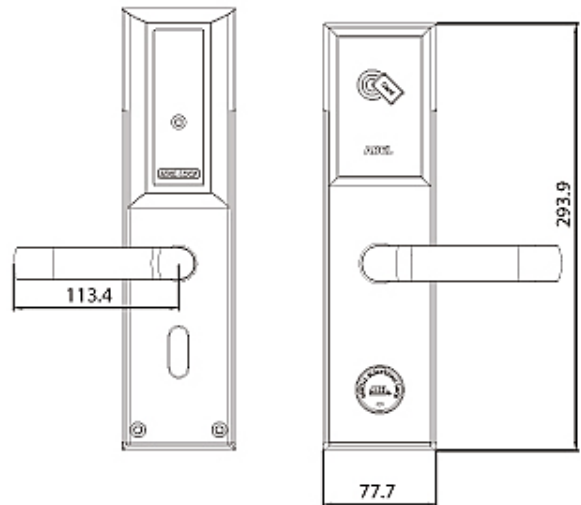
All dimensions are in mm

FEATURES

- Lifting up handle to double lock
- Card Type: Mifare Card
- Working Voltage: DC 6V (4 x AA battery)
- Static Consumption: <math><50\mu\text{A}</math>
- Dynamic Consumption: <math><200\text{mA}</math>
- Battery Life: Approximately 15,000 times of normal operation
- Low Voltage Alarm: Three “beep” sounds alarming while the voltage is lower than 4.5V.
- Unlocking Record: Audit trail records the latest 608 lock openings, and there is also unlocking record for mechanical key
- Mechanical key: Mechanical key for emergency use
- Applicable for door thickness: 38 – 71mm

ADVANCED HOTEL LOCKS

11 Mortise –Stainless Steel – Fire rated



Back View

Front View

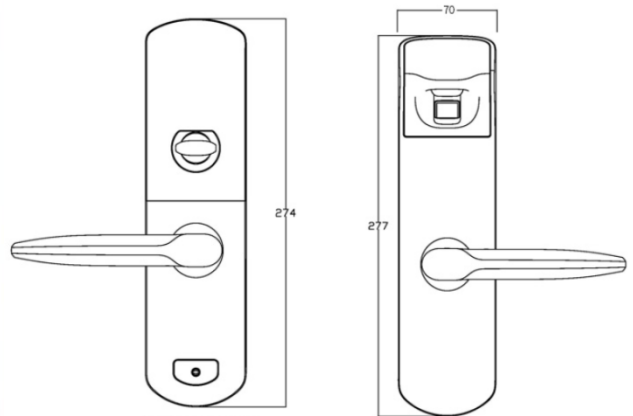
All dimensions are in mm

FEATURES

- Cast steel unified structure
- Card Type: Mifare Card
- Working Voltage: DC 6V (4 x AA battery)
- Static Consumption: 120uA
- Dynamic Consumption: <200mA
- Battery Life: Approximately 15,000 times of normal operation
- Low Voltage Alarm: Three “beep” sounds alarming while the voltage is lower than 4.5V.
- Unlocking Record: Audit trail records the latest 828lock openings including mechanical override
- Mechanical key: Override prompts emergency opening when electronic key is invalid while the lock is in the status of double-lock.
- Applicable for door thickness: 38 – 70mm

ADVANCED HOTEL LOCKS

666 CARD & FINGERPRINT – Fire rated



Back View

Front View

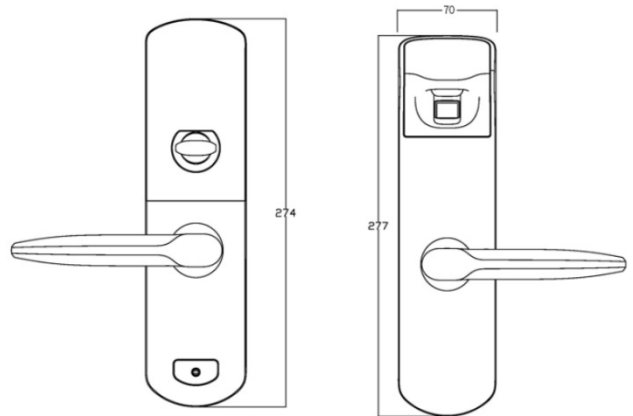
All dimensions are in mm

FEATURES

- Cast steel integration, strong lock body
- Card Type: Mifare Card
- Working Voltage: DC 6V (4 x AA battery)
- Working temperature
- Working humidity: 45 – 85% RH
- Static Consumption: <100uA
- Dynamic Consumption: <180mA
- Battery Life: Approximately 18 – 36 months of using based on 4 AA batteries
- Low Voltage Alarm: Three “beep” sounds alarming while the voltage is lower than 4.5V.
- Applicable for door thickness: 50 – 100mm for JTD mortise, 60 – 120mm for JTD-L mortise

ADVANCED HOTEL LOCKS

777 CARD & FINGERPRINT – Fire rated



Back View

Front View

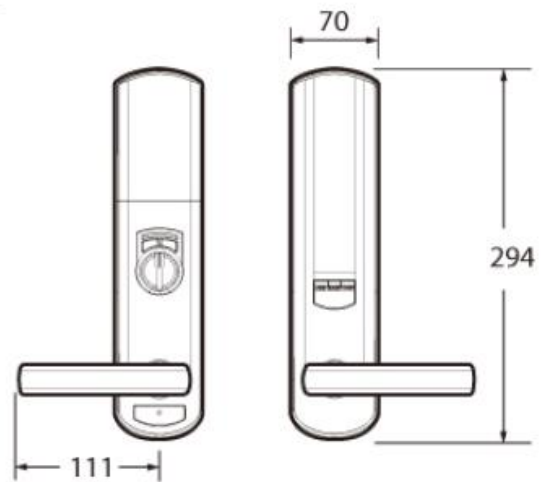
All dimensions are in mm

FEATURES

- Cast steel integration, strong lock body
- Card Type: Mifare Card
- Working Voltage: DC 6V (4 x AA battery)
- Working temperature
- Working humidity: 45 – 85% RH
- Static Consumption: <100uA
- Dynamic Consumption: <180mA
- Battery Life: Approximately 18 – 36 months of using based on 4 AA batteries
- Low Voltage Alarm: Three “beep” sounds alarming while the voltage is lower than 4.5V.
- Applicable for door thickness: 50 – 100mm for JTD mortise, 60 – 120mm for JTD-L mortise

ADVANCED HOTEL LOCKS

9000 Mortise –Stainless Steel / Zinc



Back View

Front View

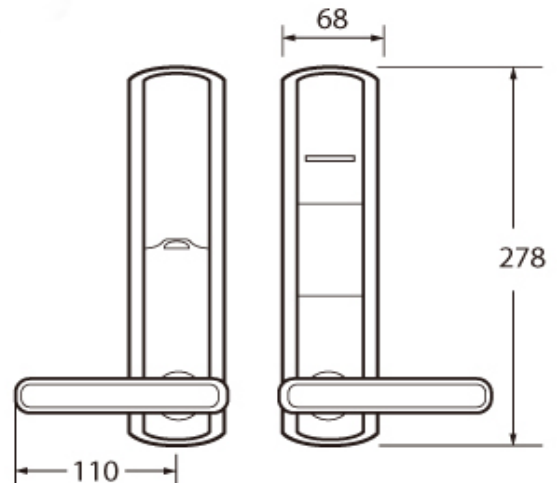
All dimensions are in mm

FEATURES

- Card Type: Mifare Card
- Working Voltage: DC 6V (4 x AA battery)
- Static Consumption: 120uA
- Dynamic Consumption: 110 – 150mA
- Battery Life: Approximately 15,000 times
- Low Voltage Alarm: Red light flash while the voltage lower than 4.5V
- Unlocking Record: EEPROM records the latest 828 lock openings including mechanical override
- Mechanical key: Override ensures prompt emergency opening when electric key is invalid while the lock is in the status of double-lock.
- Applicable for door thickness: 40 - 45mm

ADVANCED HOTEL LOCKS

7000 Mortise –Stainless Steel



Back View

Front View

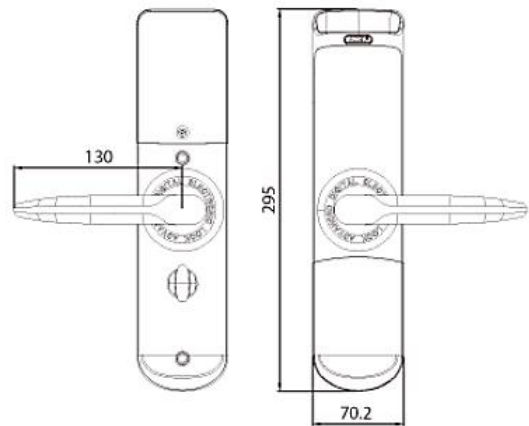
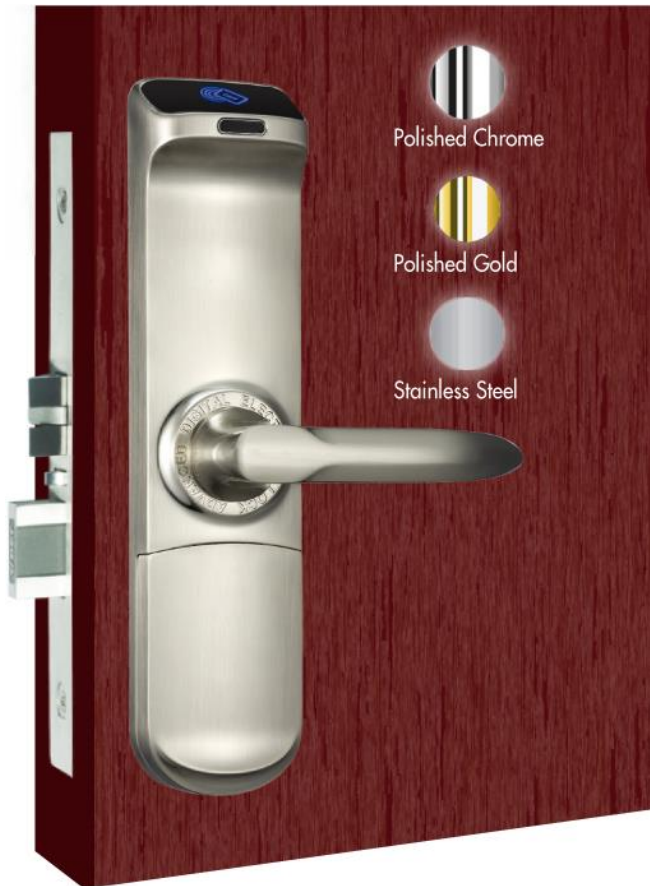
All dimensions are in mm

FEATURES

- Lifting up handle to double lock
- Card Type: Mifare Card
- Working Voltage: DC 6V (4 x AA battery)
- Static Consumption: <math><100\mu\text{A}</math>
- Dynamic Consumption: 200mA
- Battery Life: Approximately 15,000 times of normal operation
- Low Voltage Alarm: Three “beep” sounds alarming while the voltage is lower than 4.5V.
- Unlocking Record: Audit trail records the latest 828 lock openings including mechanical override.
- Mechanical key: Override ensures prompt emergency opening when electric key is invalid while the lock is in the status of double-lock.
- Applicable for door thickness: 38 – 70mm

ADVANCED HOTEL LOCKS

22 Mortise – Stainless Steel



Back View

Front View

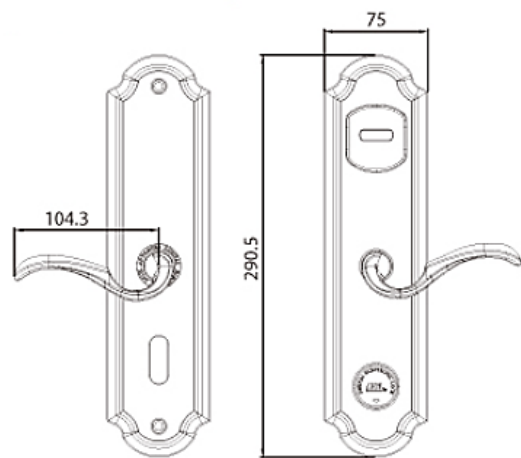
All dimensions are in mm

FEATURES

- Anti-pick latch design and anti-friction latch alarming system ensures additional lock safety.
- Card Type: Mifare Card
- Working Voltage: DC 6V (4 x AA battery)
- Static Consumption: <math><120\mu\text{A}</math>
- Dynamic Consumption: <math><200\text{mA}</math>
- Battery Life: Approximately 15,000 times of normal operation
- Low Voltage Alarm: Three “beep” sounds alarming while the voltage is lower than 4.5V.
- Unlocking Record: Audit trail records the latest 828 lock openings including mechanical override.
- Mechanical key: Override ensures prompt emergency opening when electric key is invalid while the lock is in the status of double-lock.
- Applicable for door thickness: 38 – 70mm

ADVANCED HOTEL LOCKS

2000 Mortise –Stainless Steel



Back View

Front View

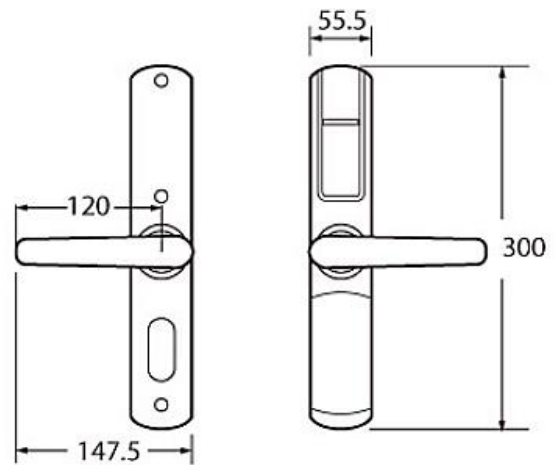
All dimensions are in mm

FEATURES

- Anti-pick latch design and anti-friction latch alarming system enable double safety
- Card Type: Mifare Card
- Working Voltage: DC 6V (4 x AA battery)
- Static Consumption: 120uA
- Dynamic Consumption: 200mA
- Battery Life: Approximately 15,000 times of normal operation
- Low Voltage Alarm: Three “beep” sounds alarming while the voltage is lower than 4.5V.
- Unlocking Record: Audit trail records the latest 828 lock openings including mechanical override.
- Mechanical key: Override ensures prompt emergency opening when electric key is invalid while the lock is in the status of double-lock.
- Applicable for door thickness: 38 – 70mm

ADVANCED HOTEL LOCKS

5500 Mortise –Stainless Steel



Back View

Front View

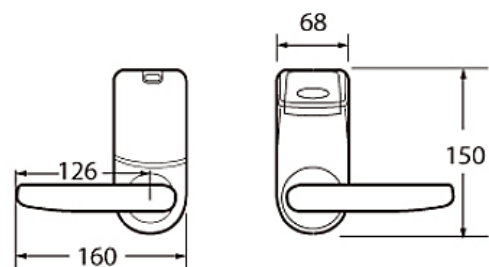
All dimensions are in mm

FEATURES

- Lifting up handle to double lock
- Card Type: Mifare Card
- Working Voltage: DC 6V (4 x AA battery)
- Static Consumption: <math><120\mu\text{A}</math>
- Dynamic Consumption: 200mA
- Battery Life: Approximately 15,000 times of normal operation
- Low Voltage Alarm: Three “beep” sounds alarming while the voltage is lower than 4.5V.
- Unlocking Record: Audit trail records the latest 828 lock openings including mechanical override.
- Mechanical key: Override ensures prompt emergency opening when electric key is invalid while the lock is in the status of double-lock.
- Applicable for door thickness: 38 – 70mm

ADVANCED HOTEL LOCKS

LH5 - Standard Single Latch



Back View

Front View

All dimensions are in mm

FEATURES

- Card Type: Mifare Card
- Card Response Time: <1 second
- Sensory Operating Frequency: 13.56 MHz
- Sensor Distance: 10 – 40mm
- Working Voltage: DC 6V (4 x AA battery)
- Static Consumption: <100uA
- Dynamic Consumption: <200mA
- Battery Life: Approximately 10,000 times of normal operation
- Low Voltage Alarm: Three “beep” sounds alarming while the voltage is lower than 4.5V.
- Unlocking Record: Audit trail records the latest 828 lock openings including mechanical override.
- Mechanical key: Override ensures prompt emergency opening when electric key is invalid while the lock is in the status of double-lock.
- Applicable for door thickness: 30 – 60mm

ADVANCED HOTEL LOCKS

Other Designs



FEATURES

- With Fingerprint



FEATURES

- With Passcode

ADVANCED HOTEL LOCKS

Other Designs



FEATURES

- With Bluetooth

DOOR CLOSER

UK-S 3100



FEATURES

- Apply to light duty door
- Cast aluminum alloy body
- Standard and top jamb installation
- Optional parallel arm installation
- Available finish: Aluminum (Silver), Dark Bronze (Brown), others upon request

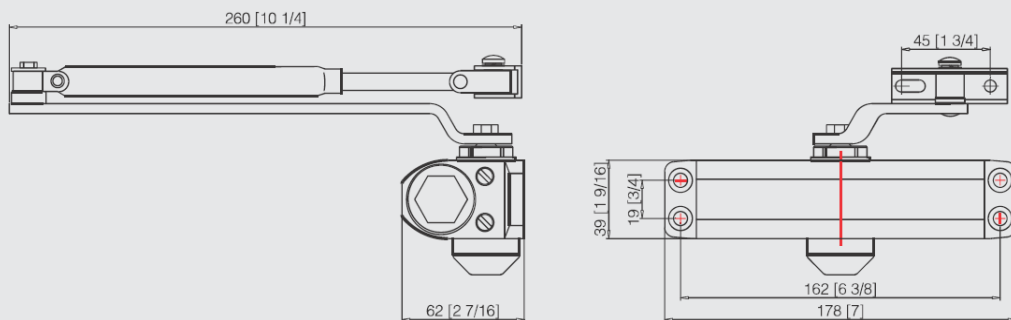
INSTALLATION POSITION	INSTALLATION TYPE	PRODUCT CLASSIFICATION					
		4	8	2	0	1	4
EN2	Standard Arm	4	8	2	0	1	4
EN3	Standard Arm & Parallel Arm	4	8	3	1	1	4
EN4	Standard Arm	4	8	4	1	1	4

Models & Specifications

Model	Max. Door Width (mm)	Door Weight (kgs)	Spring Power	Max. Opening Angle
UK-S 3100	950	40-65	Fixed Size 3	180°

Note: UK-S 3100 without hold open

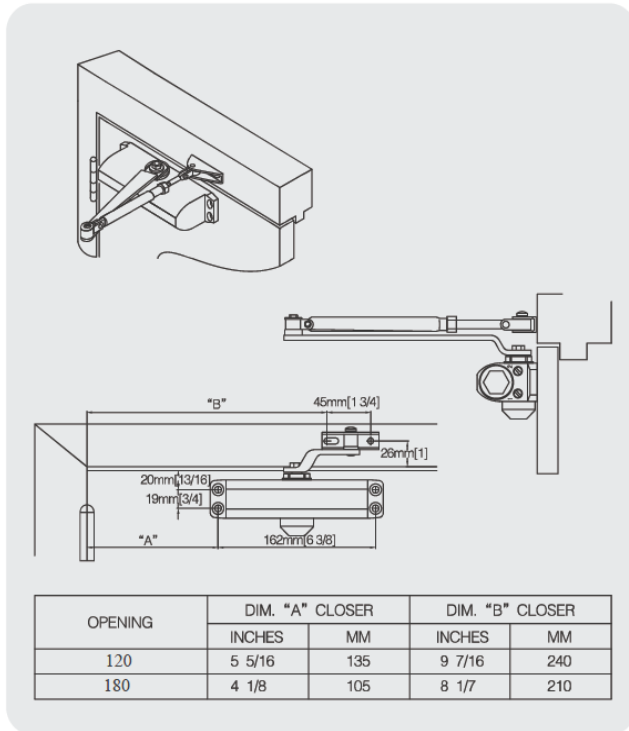
Technical Dimensions Unit (mm/inch)



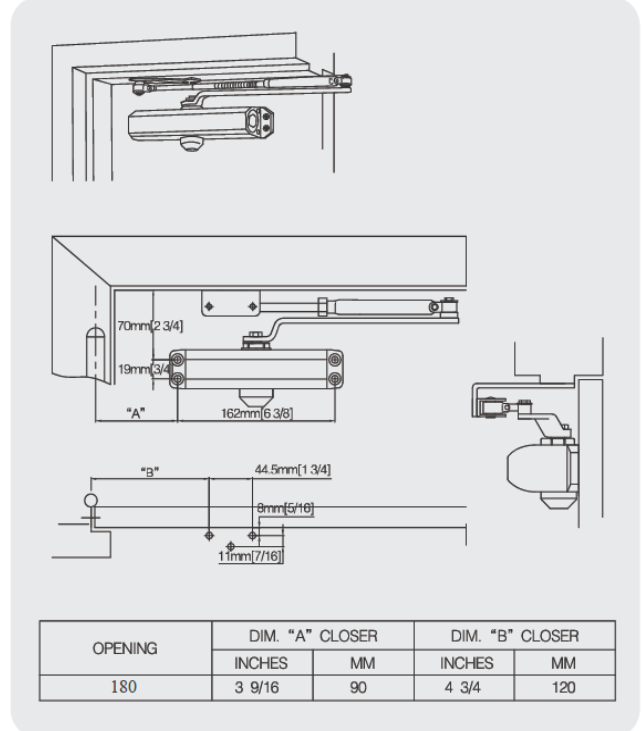
UK-S 3100

Installations Dimensions

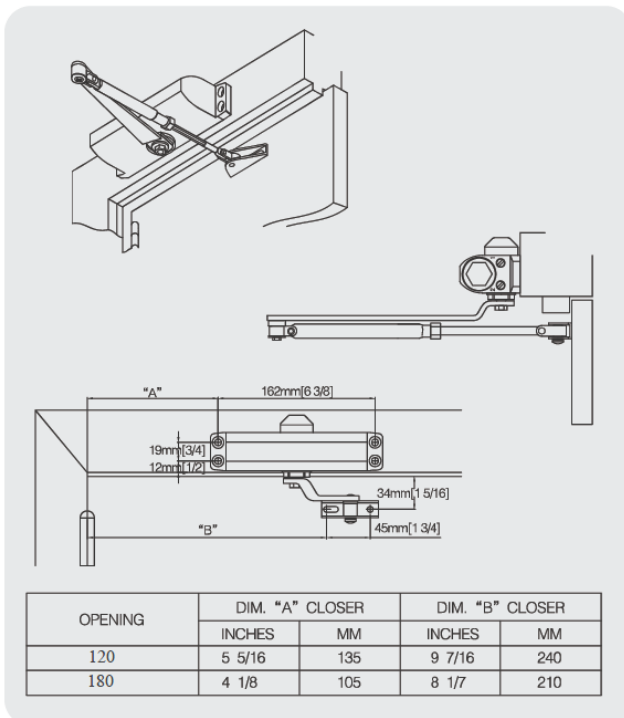
Regular Arm Installation – Fig. 1



Parallel Arm Installation – Fig. 66



Top Jamb Installation – Fig. 61



Special Cautions

1. Please read the installation instructions carefully before beginning the installation.
2. Door can be closed automatically under the door closer pressure and no extra force need to be exerted, or it can cause the failure of the product.
3. In the case of unusually high or heavy doors, windy or draughty conditions, or special installations, a large power size of door closer should be used.
4. DO NOT adjust the valve out of closer body, or it may cause leaking & final failure of the product.

UK-S 30300

Standard Arm Application



FEATURES

- European style, use for residential and commercial doors.
- Cast aluminum alloy body.
- Imported O seal ring & hydraulic oil, needle bearing
- Regular arm and top jamb. Anti-freeze oil application arm is optional. Please specify when ordering.
- Available finish: Silver, Bronze, Golden, White, others upon request.

PRODUCT CLASSIFICATION

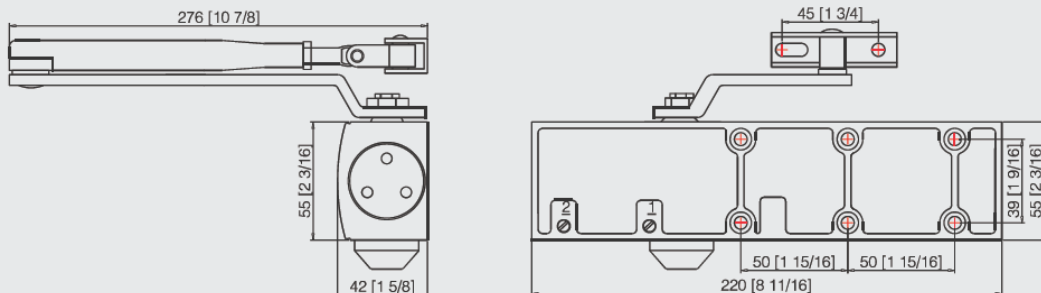
4	8	3	1	1	4
---	---	---	---	---	---

Models & Specifications

Model	Max. Door Width (mm)	Door Weight (kgs)	Spring Power	Max. Opening Angle
UK-S 30300	950	40-65	Fixed EN3	180°

Note: Optional Backcheck

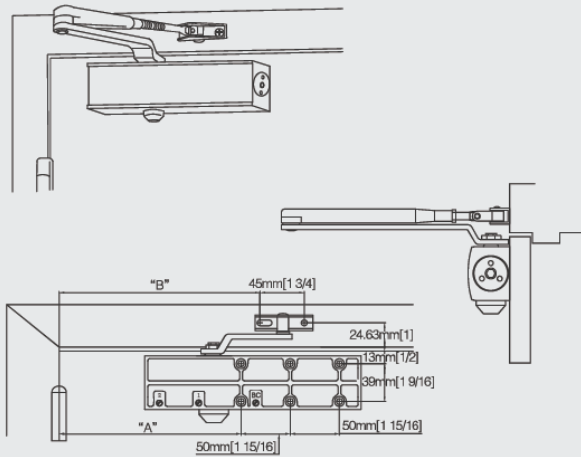
Technical Dimensions Unit (mm/inch)



UK-S 30300

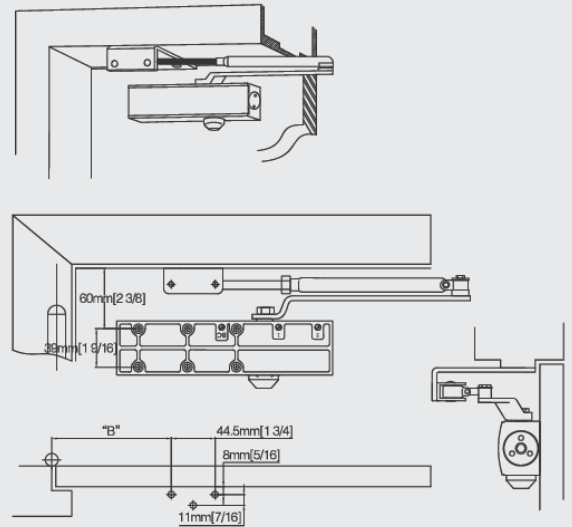
Standard Arm Installations Dimensions

Regular Arm Installation – Fig. 1



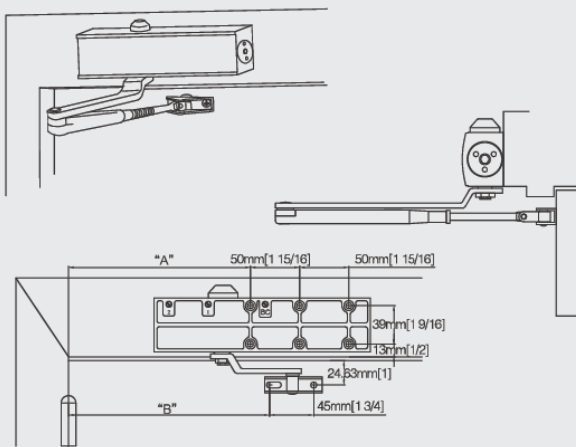
OPENING	DIM. "A" CLOSER		DIM. "B" CLOSER	
	INCHES	MM	INCHES	MM
120	8 1/4	210	8 1/4	210
180	7 5/16	185	8 1/4	210

Parallel Arm Installation – Fig. 66



OPENING	DIM. "A" CLOSER		DIM. "B" CLOSER	
	INCHES	MM	INCHES	MM
180	5	127	8 1/4	210

Top Jamb Installation – Fig. 61



OPENING	DIM. "A" CLOSER		DIM. "B" CLOSER	
	INCHES	MM	INCHES	MM
120	8 1/4	210	8 1/4	210
180	7 5/16	185	8 1/4	210

Special Cautions

1. Please read the installation instructions carefully before beginning the installation.
2. Door can be closed automatically under the door closer pressure and no extra force need to be exerted, or it can cause the failure of the product.
3. In the case of unusually high or heavy doors, windy or draughty conditions, or special installations, a large power size of door closer should be used.
4. DO NOT adjust the valve out of closer body, or it may cause leaking & final failure of the product.

UK-S 30300

Guide Rail Application



FEATURES

- European style, use for residential and commercial doors.
- Cast aluminum alloy body.
- Imported O seal ring & hydraulic oil, needle bearing
- Standard guide rail mounting
- Available finish: Silver, Bronze, Golden, White, others upon request.

PRODUCT CLASSIFICATION

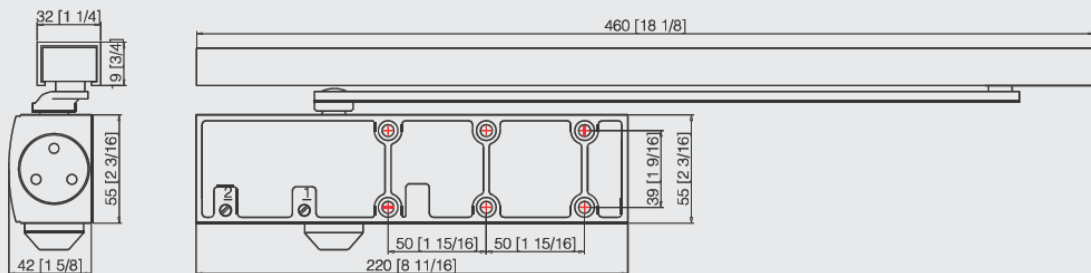
4	8	3	1	1	4
---	---	---	---	---	---

Models & Specifications

Model	Max. Door Width (mm)	Door Weight (kgs)	Spring Power	Max. Opening Angle
UK-S 30300	950	40-65	Fixed EN3	180°

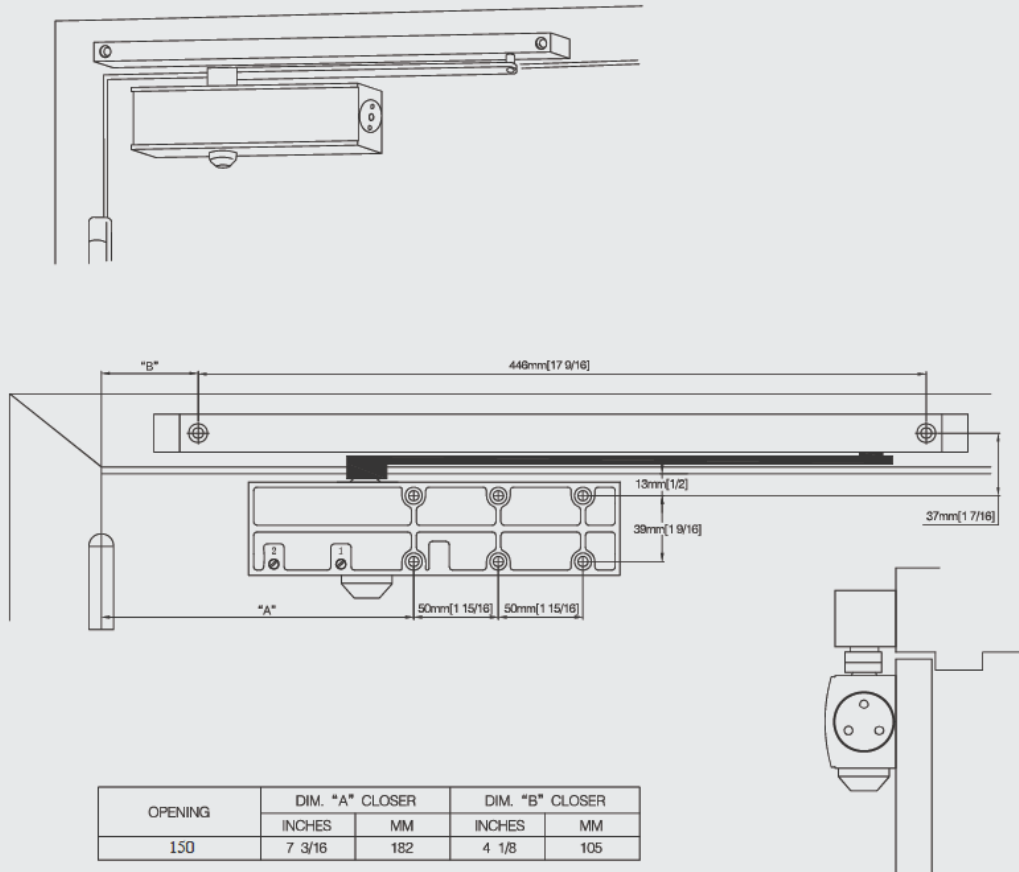
Note: Optional Backcheck

Technical Dimensions Unit (mm/inch)



UK-S 30300

Guide Rail Installations Dimensions



Special Cautions

1. Please read the installation instructions carefully before beginning the installation.
2. Door can be closed automatically under the door closer pressure and no extra force need to be exerted, or it can cause the failure of the product.
3. In the case of unusually high or heavy doors, windy or draughty conditions, or special installations, a large power size of door closer should be used.
4. DO NOT adjust the valve out of closer body, or it may cause leaking & final failure of the product.

UK-S 42400

Standard Arm Application



FEATURES

- European style, use for residential and commercial doors.
- Cast aluminum alloy body.
- Imported O seal ring & hydraulic oil, needle bearing
- Regular arm & top jamb application. Parallel arm is optional. Please specify when ordering.
- Available finish: Silver, Bronze, Golden, White, others upon request.

PRODUCT CLASSIFICATION

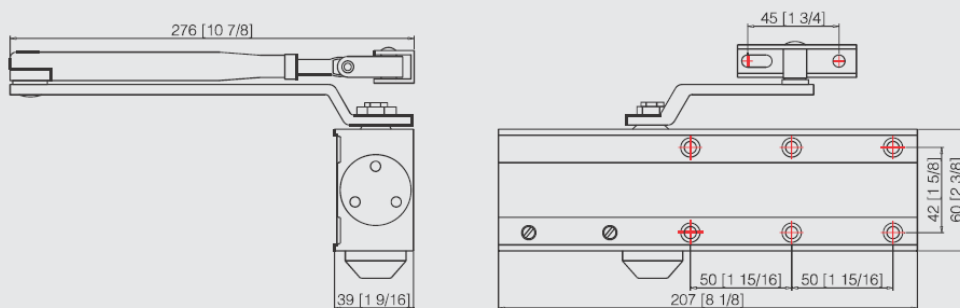
EN2	4	8	2	0	1	3
EN3	4	8	3	1	1	3
EN4	4	8	4	1	1	3

Models & Specifications

Model	Max. Door Width (mm)	Door Weight (kgs)	Spring Power	Max. Opening Angle
UK-S 42400	1100	20-80	EN2/EN3/EN4	180°

Note: EN2/EN3/EN4 by template movement

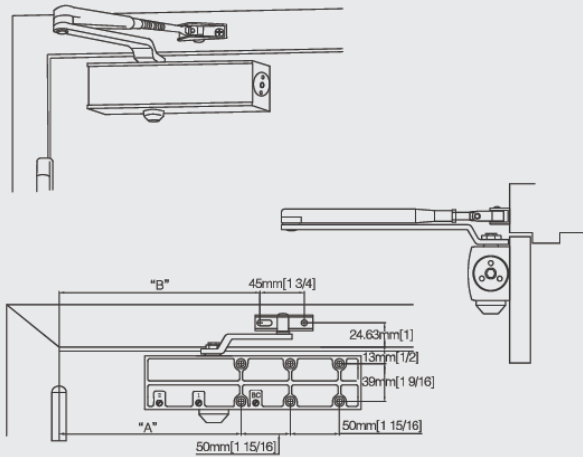
Technical Dimensions Unit (mm/inch)



UK-S 42400

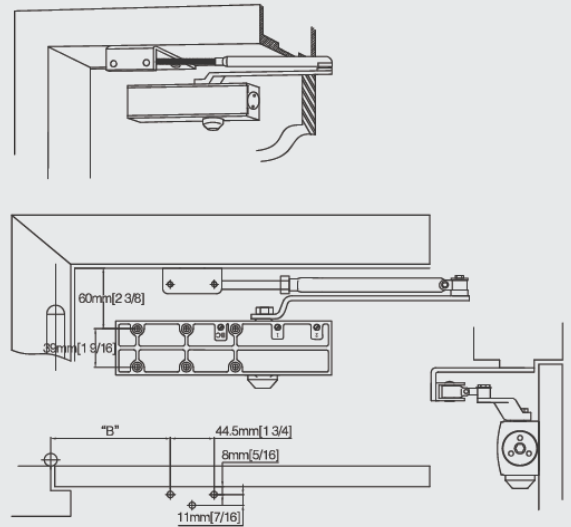
Standard Arm Installations Dimensions

Regular Arm Installation – Fig. 1



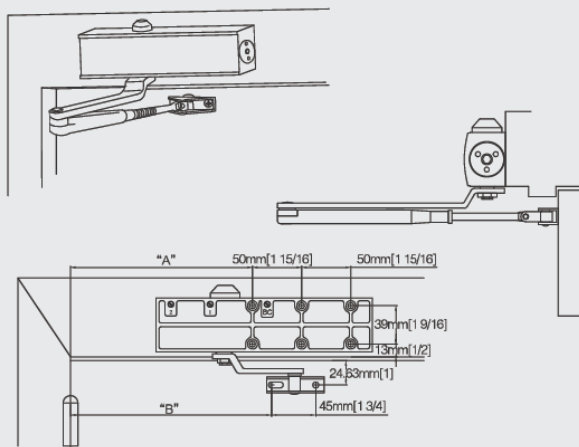
OPENING	DIM. "A" CLOSER		DIM. "B" CLOSER	
	INCHES	MM	INCHES	MM
120	8 1/4	210	8 1/4	210
180	7 5/16	185	8 1/4	210

Parallel Arm Installation – Fig. 66



OPENING	DIM. "A" CLOSER		DIM. "B" CLOSER	
	INCHES	MM	INCHES	MM
180	5	127	8 1/4	210

Top Jamb Installation – Fig. 61



OPENING	DIM. "A" CLOSER		DIM. "B" CLOSER	
	INCHES	MM	INCHES	MM
120	8 1/4	210	8 1/4	210
180	7 5/16	185	8 1/4	210

Special Cautions

1. Please read the installation instructions carefully before beginning the installation.
2. Door can be closed automatically under the door closer pressure and no extra force need to be exerted, or it can cause the failure of the product.
3. In the case of unusually high or heavy doors, windy or draughty conditions, or special installations, a large power size of door closer should be used.
4. DO NOT adjust the valve out of closer body, or it may cause leaking & final failure of the product.

UK-S 52500

Standard Arm Application



FEATURES

- European style, use for residential and commercial doors.
- Cast aluminum alloy body. EN1154 certified
- Imported O seal ring & hydraulic oil, needle bearing
- Regular arm & top jamb. Anti-freeze oil application arm is optional. Please specify when ordering.
- Available finish: Silver, Bronze, Golden, White, others upon request.

PRODUCT CLASSIFICATION

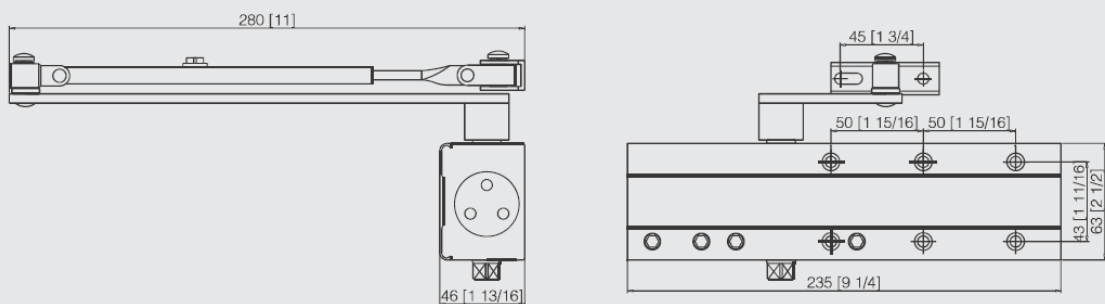
4	8	5	1	1	3
		2			

Models & Specifications

Model	Max. Door Width (mm)	Door Weight (kgs)	Spring Power	Max. Opening Angle
UK-S 52500	1250	20-120	EN2-5	180°

Note: Standard backcheck and delay action.

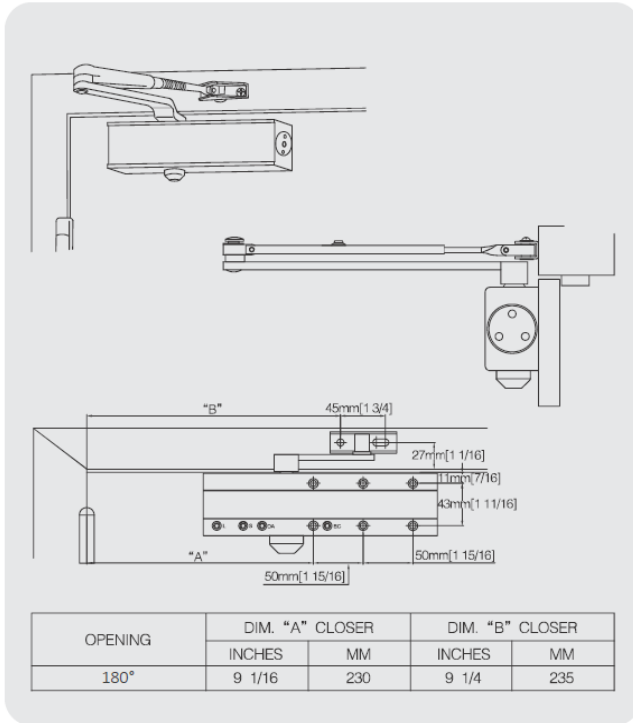
Technical Dimensions Unit (mm/inch)



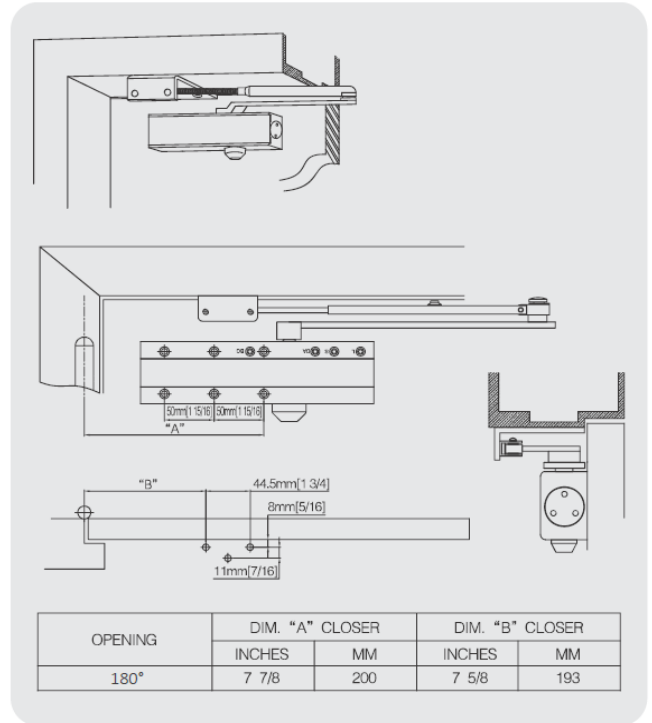
UK-S 52500

Standard Arm Installations Dimensions

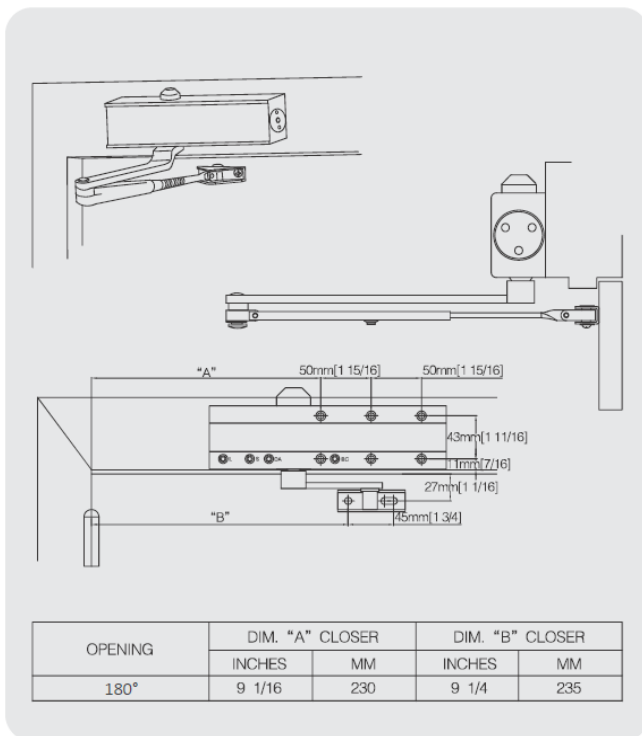
Regular Arm Installation – Fig. 1



Parallel Arm Installation – Fig. 66



Top Jamb Installation – Fig. 61



Special Cautions

1. Please read the installation instructions carefully before beginning the installation.
2. Door can be closed automatically under the door closer pressure and no extra force need to be exerted, or it can cause the failure of the product.
3. In the case of unusually high or heavy doors, windy or draughty conditions, or special installations, a large power size of door closer should be used.
4. DO NOT adjust the valve out of closer body, or it may cause leaking & final failure of the product.

UK-S 62600

Standard Arm Application



FEATURES

- European style, use for residential and commercial doors.
- Cast aluminum alloy body. EN1154 certified
- Imported O seal ring & hydraulic oil, needle bearing
- Regular arm & top jamb. Anti-freeze oil application arm is optional. Please specify when ordering.
- Available finish: Silver, Bronze, Golden, White, others upon request.

PRODUCT CLASSIFICATION

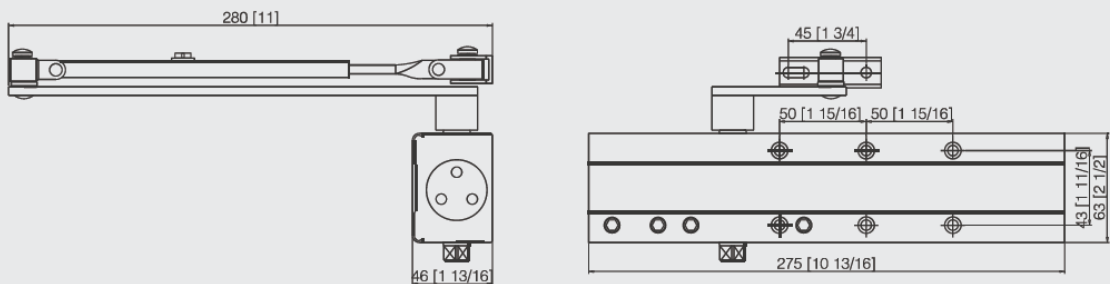
4	8	6	1	1	3
		2			

Models & Specifications

Model	Max. Door Width (mm)	Door Weight (kgs)	Spring Power	Max. Opening Angle
UK-S 62600	1400	20-150	EN2-6	180°

Note: Standard backcheck and delay action.

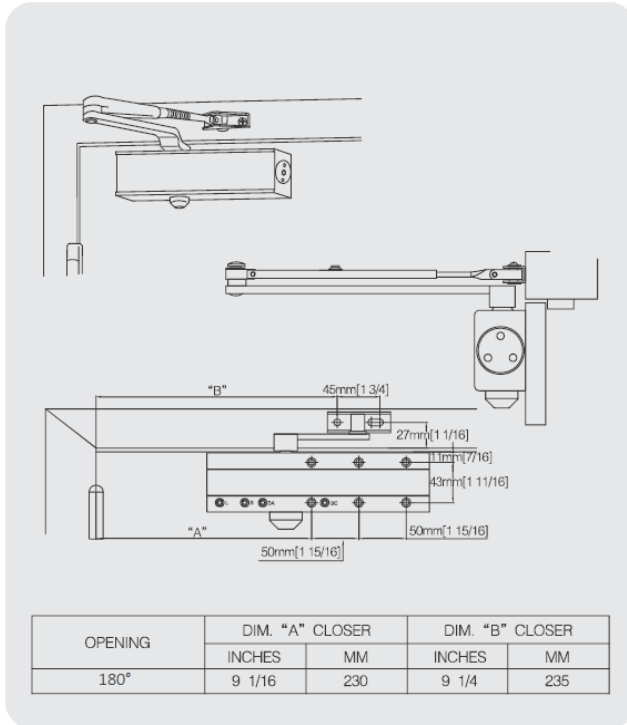
Technical Dimensions Unit (mm/inch)



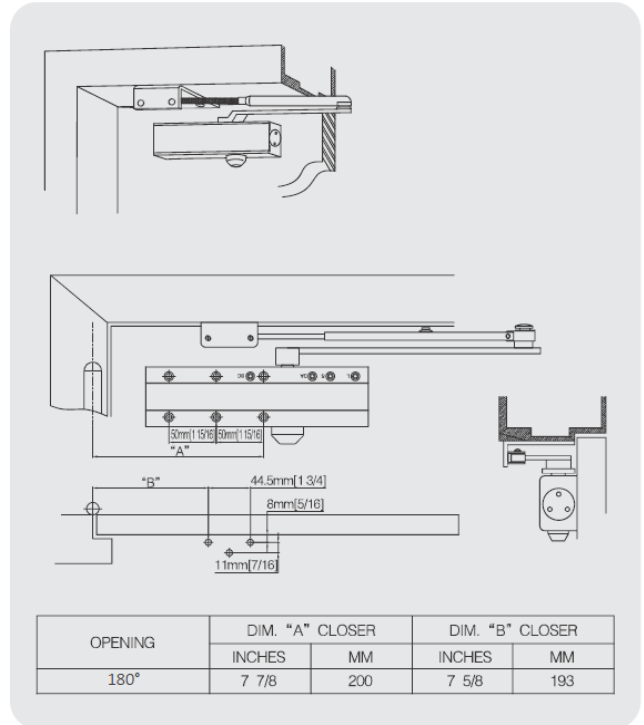
UK-S 62600

Standard Arm Installations Dimensions

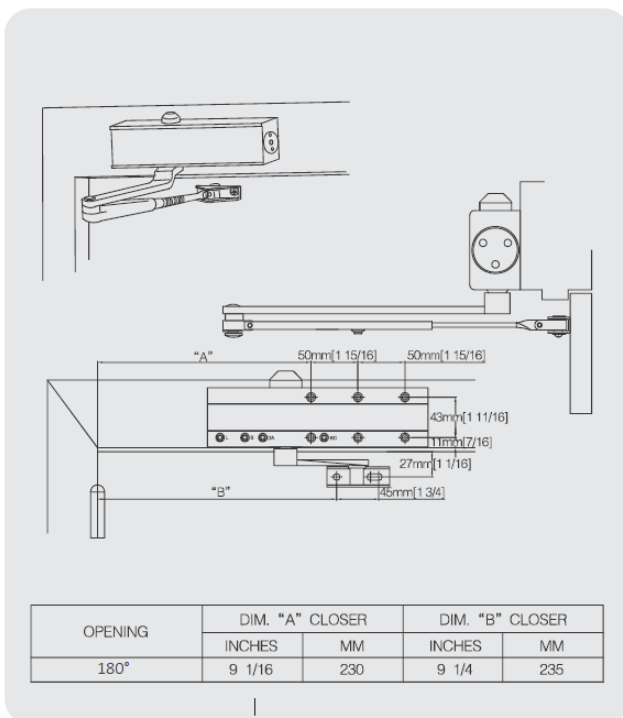
Regular Arm Installation – Fig. 1



Parallel Arm Installation – Fig. 66



Top Jamb Installation – Fig. 61



Special Cautions

1. Please read the installation instructions carefully before beginning the installation.
2. Door can be closed automatically under the door closer pressure and no extra force need to be exerted, or it can cause the failure of the product.
3. In the case of unusually high or heavy doors, windy or draughty conditions, or special installations, a large power size of door closer should be used.
4. DO NOT adjust the valve out of closer body, or it may cause leaking & final failure of the product.

UK-S 203900



FEATURES

- Apply to doors with requirement of concealed installation such as: Star Hotel executive, etc.: 44mm for wooden door. 40mm for hollow metal door.
- Cast aluminum alloy body shell.
- Imported O seal ring & hydraulic oil, needle bearing
- Regular arm & top jamb application.
- Available finish: Silver, Bronze, Golden, White, others upon request.

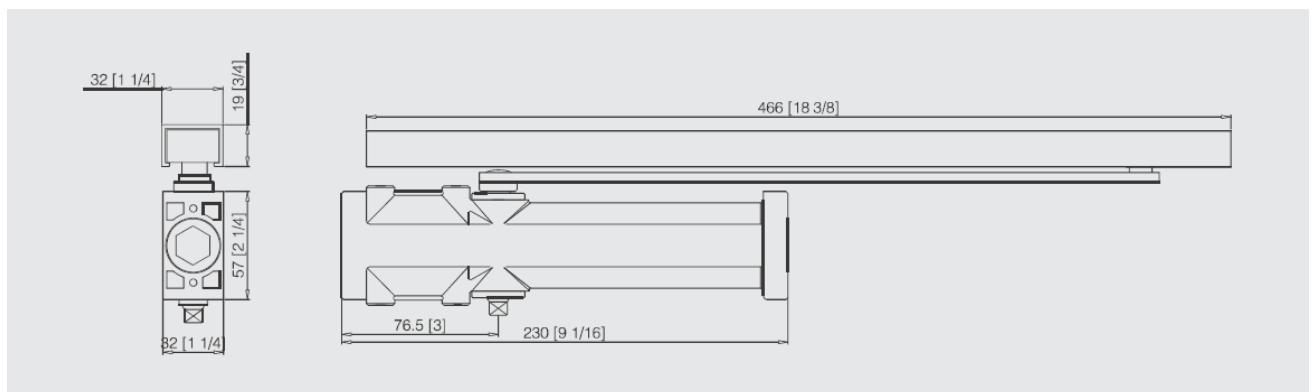
PRODUCT CLASSIFICATION

3	8	3	1	1	4
---	---	---	---	---	---

Models & Specifications

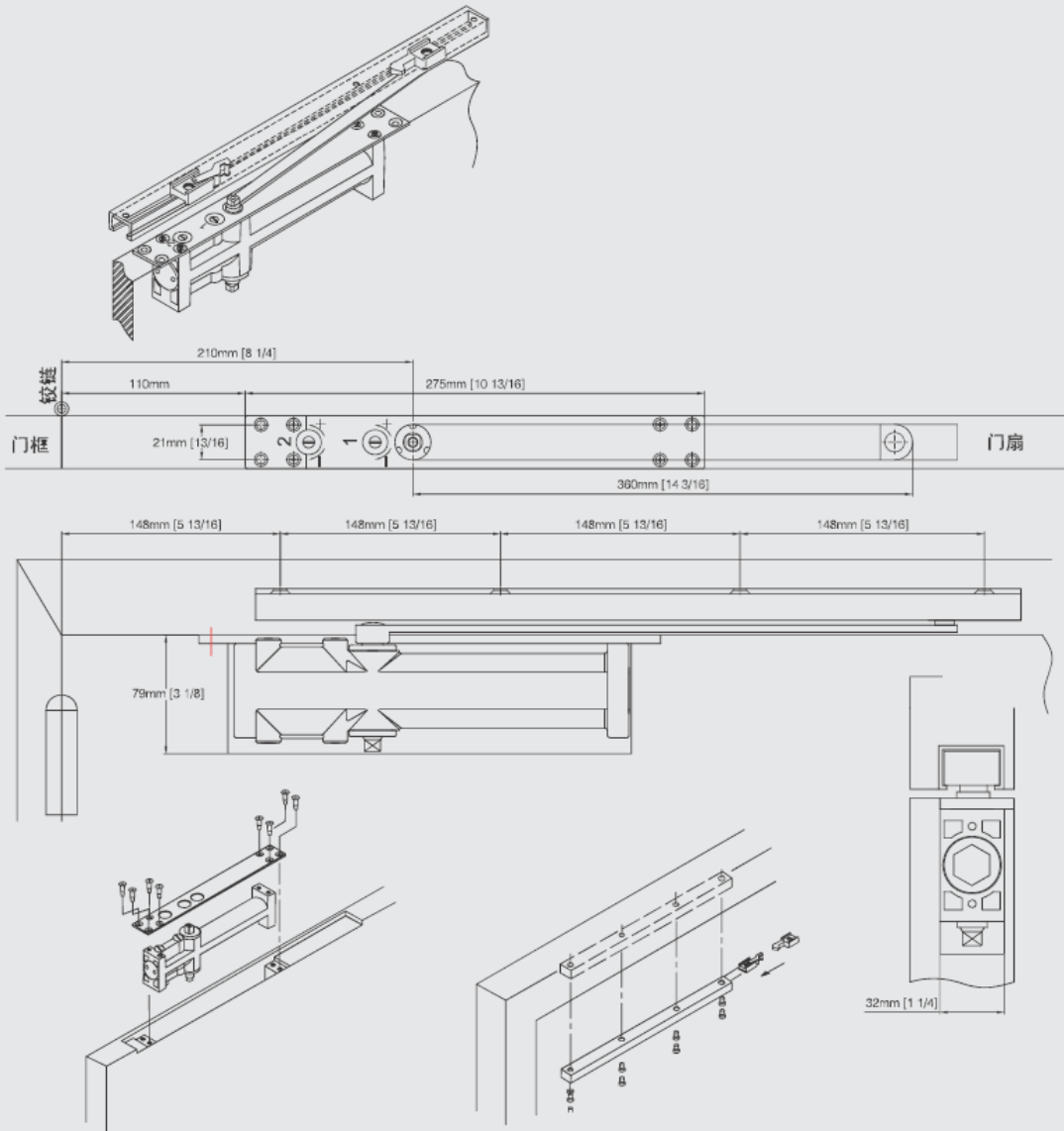
Model	Max. Door Width (mm)	Door Weight (kgs)	Spring Power	Max. Opening Angle
UK-S 203900	950	40-65	Fixed Size 3	120°

Technical Dimensions Unit (mm/inch)



UK-S 203900

Installations Dimensions



Special Cautions

1. Please read the installation instructions carefully before beginning the installation.
2. Door can be closed automatically under the door closer pressure and no extra force need to be exerted, or it can cause the failure of the product.
3. In the case of unusually high or heavy doors, windy or draughty conditions, or special installations, a large power size of door closer should be used.
4. DO NOT adjust the valve out of closer body, or it may cause leaking & final failure of the product.

UK-S 600060

Cam Action Concealed Door Closer

FEATURES

- Global popular style, Cam Action Mechanical, concealed door closer, double swing door.
- Suitable for all kinds of fire rated door, for wooden door the min. thickness is 44mm, while for Hollow Metal Door the min. thickness is 40mm.
- Meet the standard of European CE, North American UL & ANSI.
- Aluminum extrusion body, imported O-seal ring, full needle bearing, anti-freeze and rated hydraulic oil.
- Available finish: Silver, Bronze, Golden, White, others upon request.

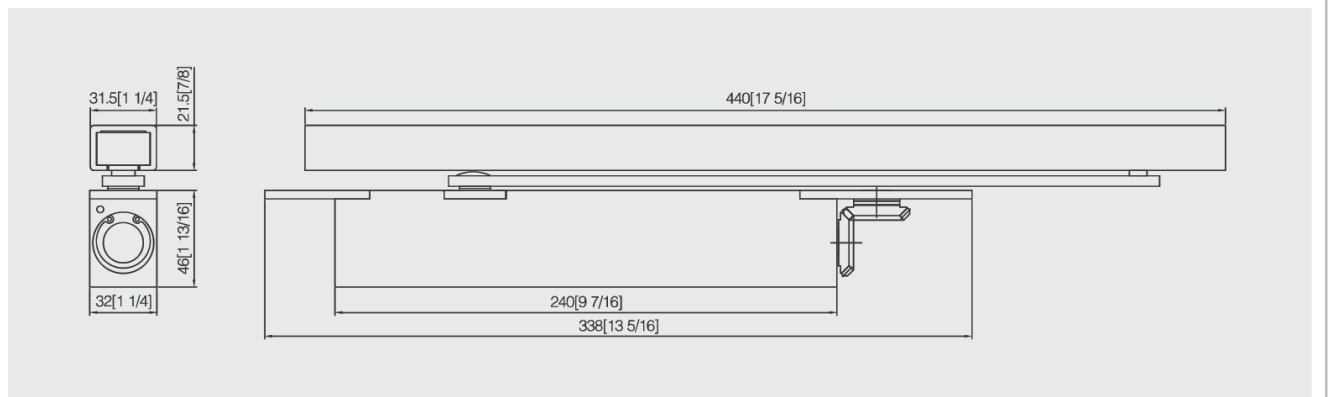
PRODUCT CLASSIFICATION

3	8	2/4	1	1	4
---	---	-----	---	---	---

Models & Specifications

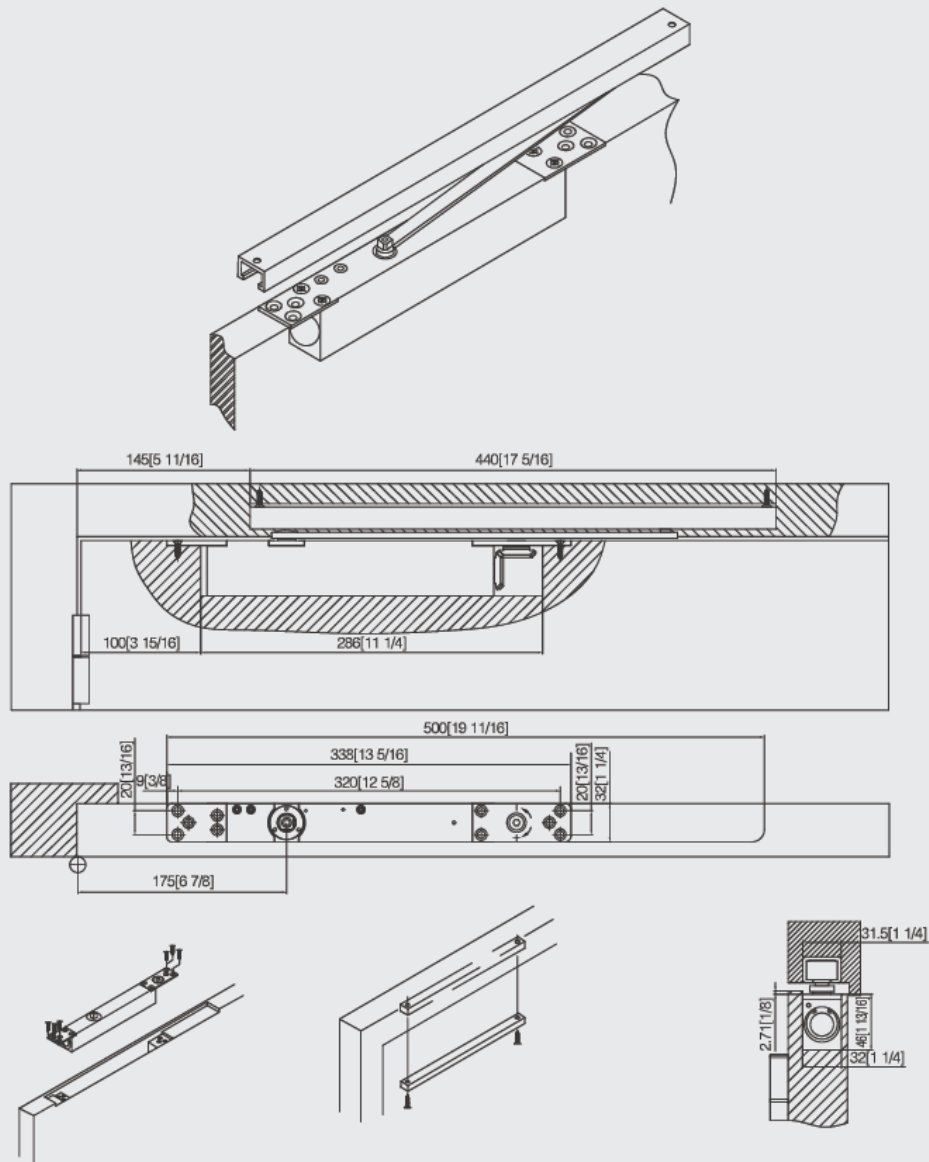
Model	Max. Door Width (mm)	Door Weight (kgs)	Spring Power	Max. Opening Angle
UK-S 600060	1100	25-85	Adjusting Size 2-4	Dual Swing 120°

Technical Dimensions Unit (mm/inch)



UK-S 600060

Installations Dimensions



Special Cautions

1. Please read the installation instructions carefully before beginning the installation.
2. Door can be closed automatically under the door closer pressure and no extra force need to be exerted, or it can cause the failure of the product.
3. In the case of unusually high or heavy doors, windy or draughty conditions, or special installations, a large power size of door closer should be used.
4. DO NOT adjust the valve out of closer body, or it may cause leaking & final failure of the product.

UK-S 700800



FEATURES

- European style door closer and tested to meet EN 1154 and EN 1634.
- EN2, EN3, EN4 achieved by template movement.
- Cast aluminum alloy body.; needle bearing
- Standard installation; Optional top jamb and parallel arm installation.
- Available finish: Aluminum (Silver), Drak Bronze (Brown); others upon request.

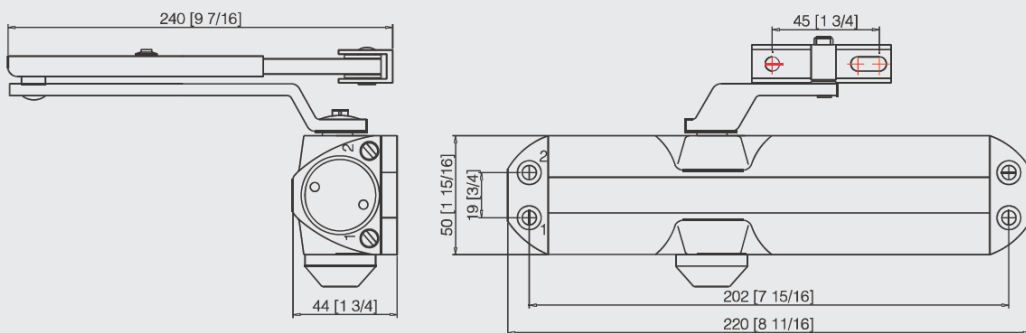
INSTALLATION POSITION	INSTALLATION TYPE	PRODUCT CLASSIFICATION					
		4	8	2	0	1	4
EN2	Standard Arm	4	8	2	0	1	4
EN3	Standard Arm & Parallel Arm	4	8	3	1	1	4
EN4	Parallel Arm	4	8	4	1	1	4

Models & Specifications

Model	Max. Door Width (mm)	Door Weight (kgs)	Spring Power	Max. Opening Angle
UK-S 700800	1100	25-80	EN2-4	180°

Note: Optional Backcheck

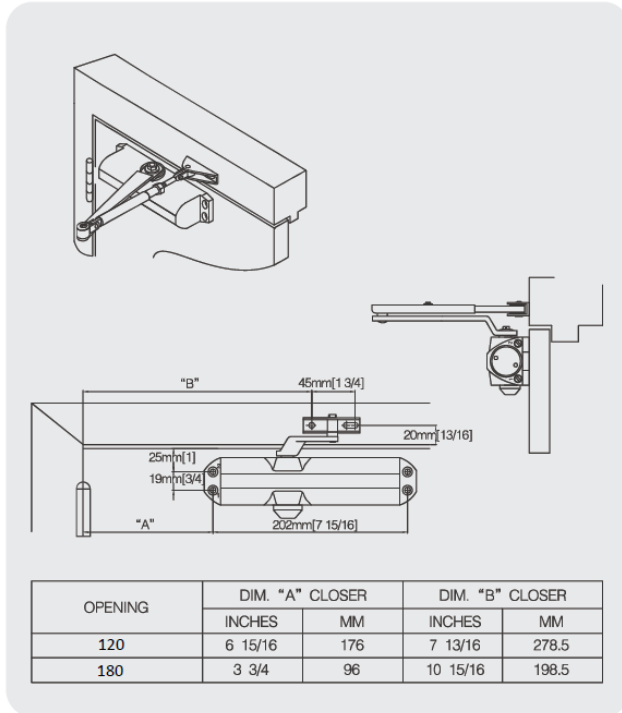
Technical Dimensions Unit (mm/inch)



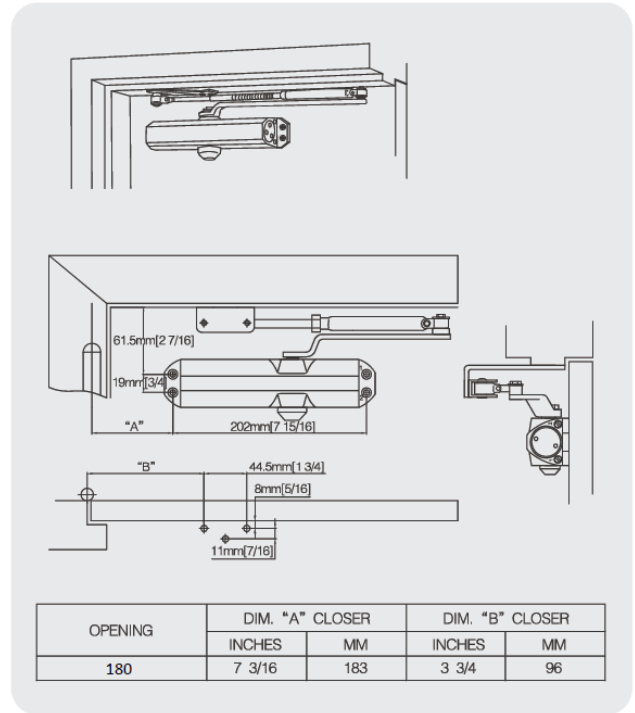
UK-S 700800

Installations Dimensions

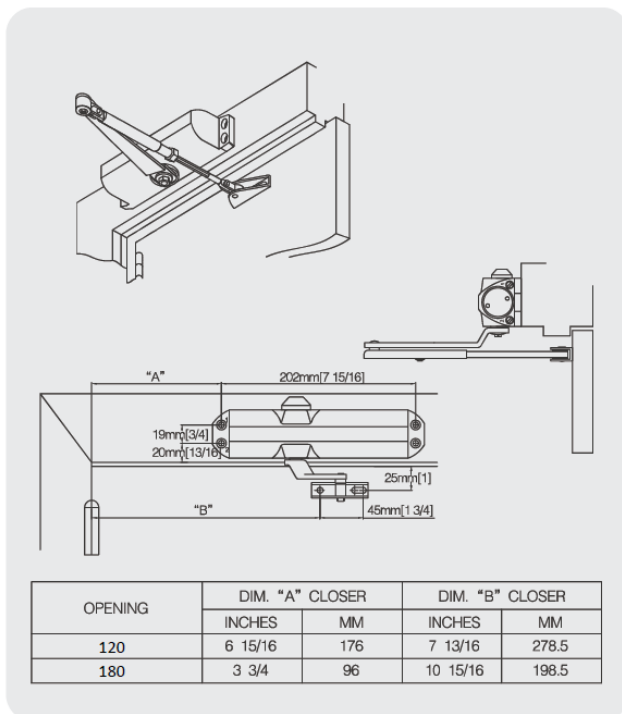
Regular Arm Installation – Fig. 1



Parallel Arm Installation – Fig. 66



Top Jamb Installation – Fig. 61

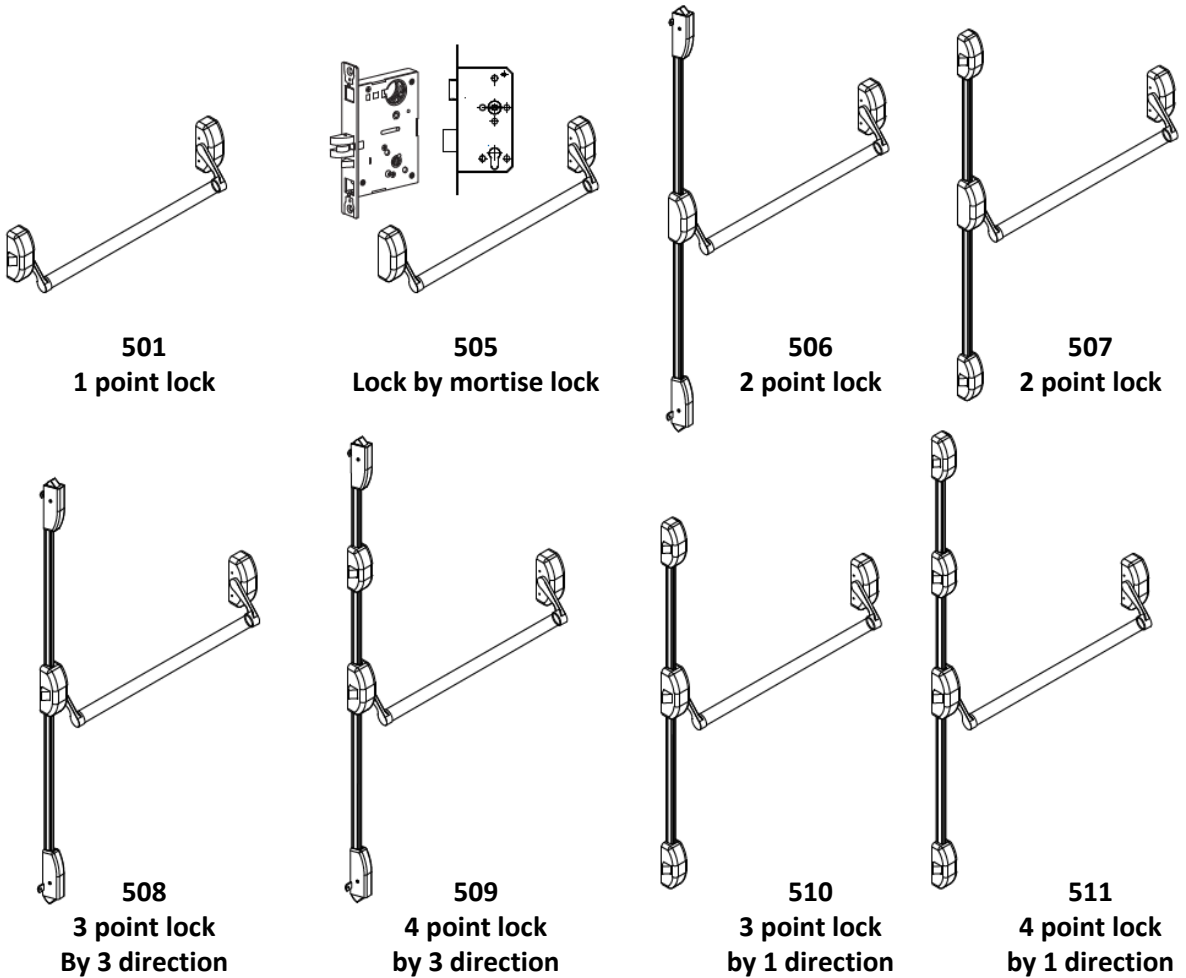
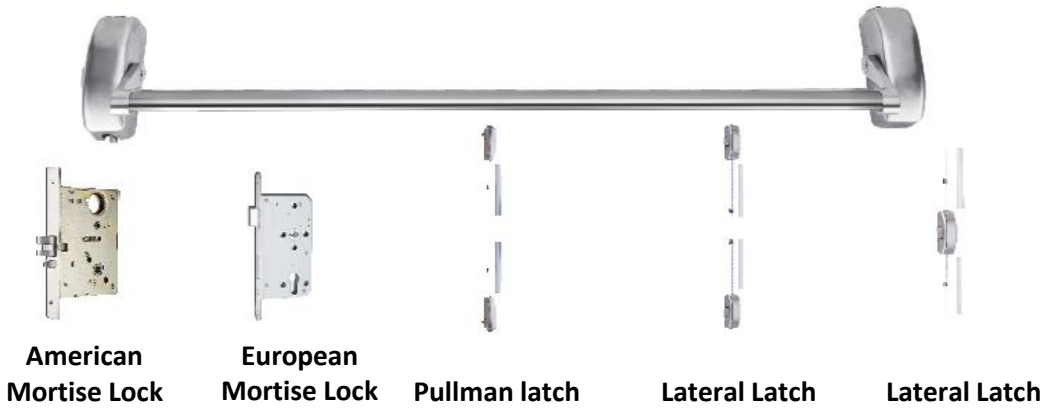


Special Cautions

1. Please read the installation instructions carefully before beginning the installation.
2. Door can be closed automatically under the door closer pressure and no extra force need to be exerted, or it can cause the failure of the product.
3. In the case of unusually high or heavy doors, windy or draughty conditions, or special installations, a large power size of door closer should be used.
4. DO NOT adjust the valve out of closer body, or it may cause leaking & final failure of the product.

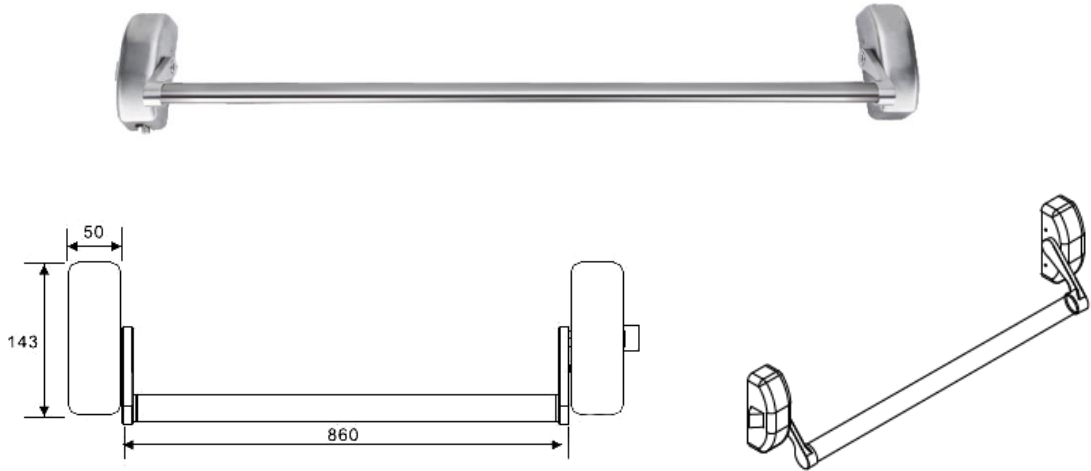
EXIT DEVICE

PUSH BAR EXIT DEVICE 500 SERIES



PUSH BAR EXIT DEVICE 501

1-point Lock



PRODUCT CLASSIFICATION

3	7	6	B	1	4	2	2	A	A
---	---	---	---	---	---	---	---	---	---

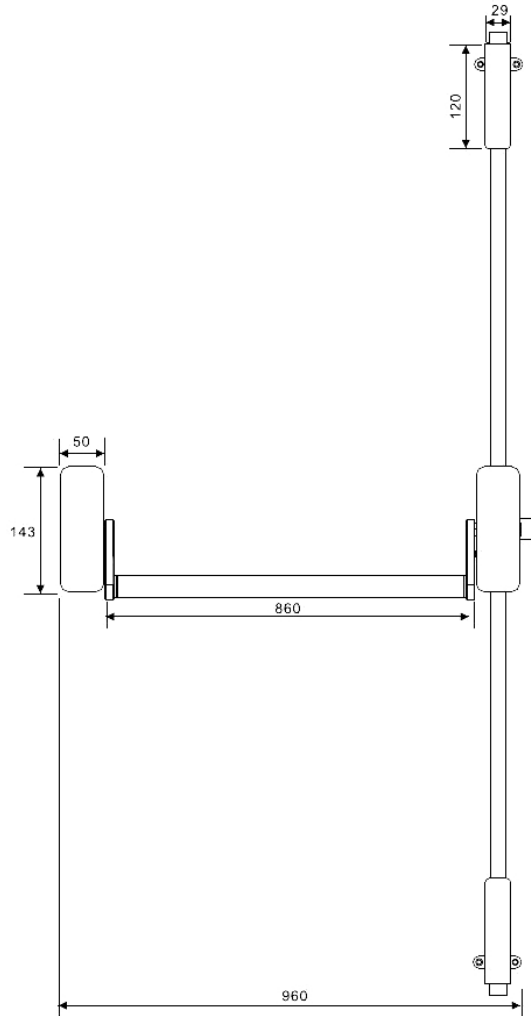
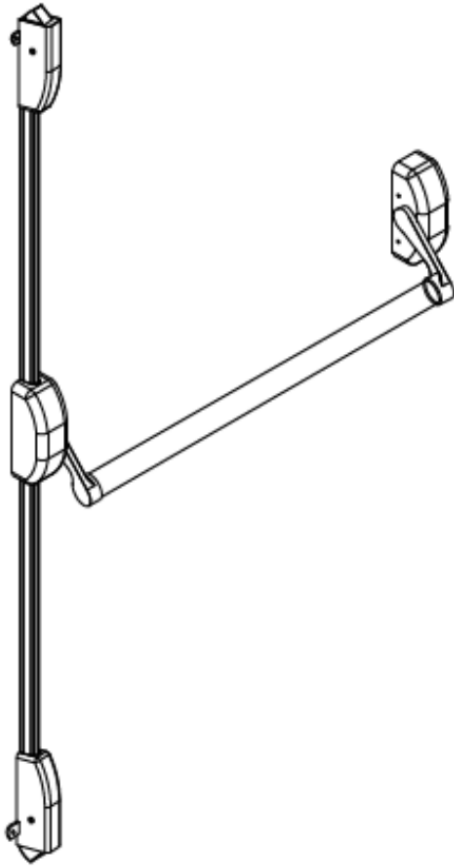
500 SERIES

1. CE mark, Fire Rated
2. EN1125 and EN1634 approved
3. None handed
4. Pullman latch and lateral latch design
5. Modular design, more than 4 point locks are available.
6. Material: Stainless steel or steel powder coating
7. Different finish is available

FEATURE

Lock Point	1
Push Bar	1,000mm length
Door Style	Single and Double Door
Max. Door Weight	200 kg
Dogging Device	N/A
Security Anti-thrust Latch	N/A
Door Width	Up to 1,500mm
Door Height	2,133mm
1Door Thickness	50mm

PUSH BAR EXIT DEVICE 506 2-point Lock



PRODUCT CLASSIFICATION

3 7 6 B 1 4 2 2 A A

500 SERIES

1. CE mark, Fire Rated
2. EN1125 and EN1634 approved
3. None handed
4. Pullman latch and lateral latch design
5. Modular design, more than 4 point locks are available.
6. Material: Stainless steel or steel powder coating
7. Difference finish is available

FEATURE

Lock Point	2
Push Bar	1,000mm length
Door Style	Single and Double Door
Max. Door Weight	200 kg
Dogging Device	N/A
Security Anti-thrust Latch	N/A
Door Width	Up to 1,500mm
Door Height	2,133mm
1Door Thickness	50mm

PUSH BAR EXIT DEVICE 501

Classification code:	3	7	6	Bb	1	4	2	2	A	A
Category of use (3 = high usage frequency by persons who are unlikely to take care)										
Durability and duty of latchbolt (7 = 200,000 test cycles)										
Door weight and closing force (6 = door weight up to 200 kg)										
Suitability - Fire resistance (B = suitable for use on fire resistant and smoke control doors based on testing in compliance with EN 1634-1.)										
Safety (1 = every panic exit device complies with a crucial safety function; for this reason, only the highest grade has been defined for the applicable European standard.)										
Corrosion resistance (4 = extremely high corrosion resistance)										
Security Security – forced entry resistance (2 = panic exit devices are mainly intended for operating a door from inside; the forced entry resistance requirements are of secondary importance compared to personal safety requirements.)										
Projection of horizontal panic bar (2 = projection up to 100 mm (standard projection))										
Type of activationof horizontal panic bar (A = panic exit device with touchbar activation)										
Usage area of door (A = single door, double door: Active or inactive leaf)										

INSTALLATION MANUAL

WARNING

The safety features of this product are essential to its compliance with EN 1125. No modification of any kind, other than those described in these instructions, is permitted.

Panic Devices manufactured in accordance with EN 1125 will provide a high degree of safety and reasonable security, provide they are fitted to doors and frames of equal quality and in good condition. The door must be correctly hung and free from binding.

IMPORTANT

This equipment must be installed by a competent fitter. If these fixing instructions are not followed, then no responsibility for these fixing instructions must be passed to the user after installation has been completed.

DOOR SIZES

This product is suitable for doors up to 2500mm height and up to 1000mm width. (Doors above 2500mm is out of scope of EN 1125)

MAINTENANCE

It is recommended that the following routine maintenance checks be undertaken at intervals of not less than one month by the occupier or his approved representative:

- a) Inspect and operate the panic device to ensure that all components are in a satisfactory working condition;
- b) Ensure that the keepers are free from obstruction.


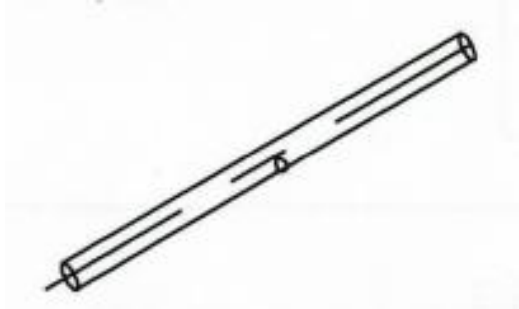
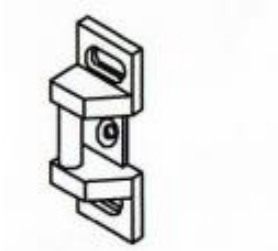


HANDING REVERAL

If the panic device is to be used with an outside access device, and they are package separated and need to book separated.

INSTALLATION MANUAL

1. PARTS CHECK

1. Make sure the correct device is being used.
2. Make sure all needed parts are on hand.

<p>1) Device</p> 	<p>2) Push Bar, 1 pc</p> 
<p>3) Strike with Screw</p>  <p>Strike (1 pc)</p>  <p>4.8x25 (3 pcs)</p>	<p>4) Screw Pack</p> 

3. Make sure outside trim (if being used) has been provided and is correct handing.

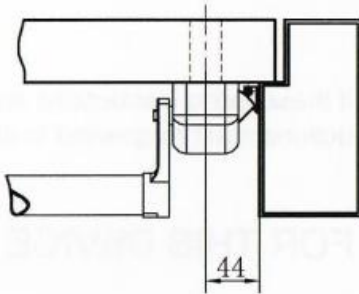
INSTALLATION MANUAL

2. DOOR LAYOUT

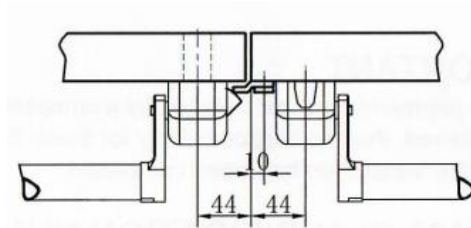
1. Door must be fitted and hung properly before proceeding.
2. Mark vertical CL and horizontal CL on door and frame.

A) Vertical CL

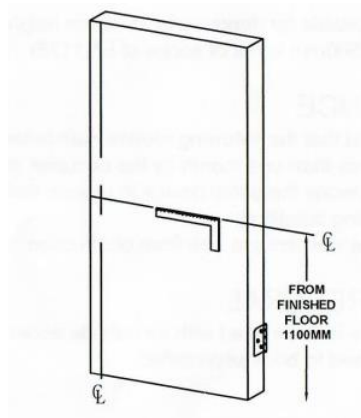
Single Door Application



Double Door Application
Push Device x Vertical Rod



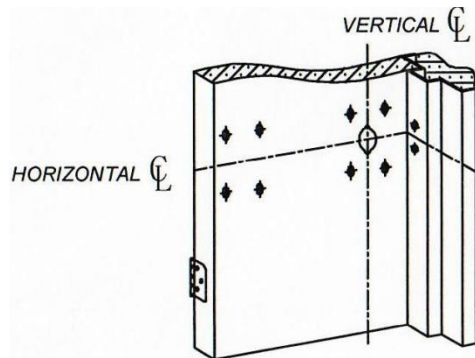
A) Horizontal CL



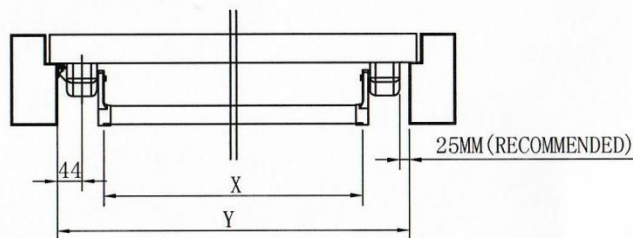
INSTALLATION MANUAL

3. DOOR & HARDWARE PREPARATION

1. Tape drilling template on door using vertical CL and horizontal CL.

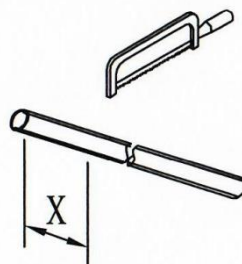


2. Tap holes as required, remove template.
3. If using outside trim, prepare door using separate trim direction sheet.
4. Determine device length.
 - a) The device is fit for the door width from 400mm to 1,000mm
 - b) Measure the door clear width of "Y".
 - c) Length of the push bar to be cut is "X": $X=Y-150$



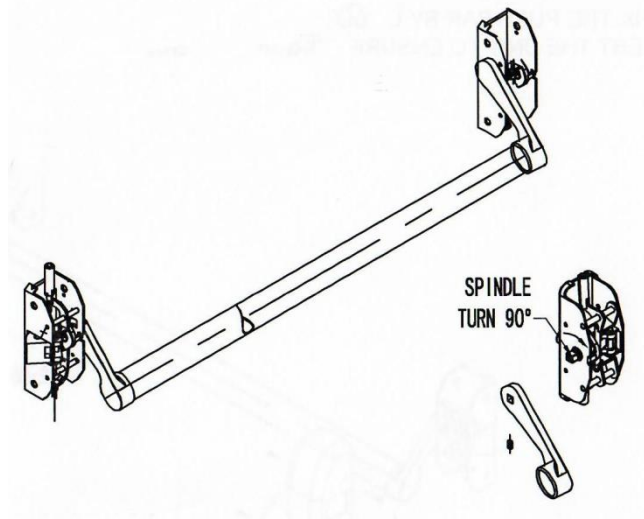
5. If door width is less than 1,000mm, cut push bar.
 - a) Mark the push bar from the end to the length "X".
 - b) Cut the push bar to marked dimension and remove burrs.

Note: Factory recommends sawing rather than grind cut to size. Grinding can damage the finish of the push bar and sawing results in less damage to the push bar's finish.



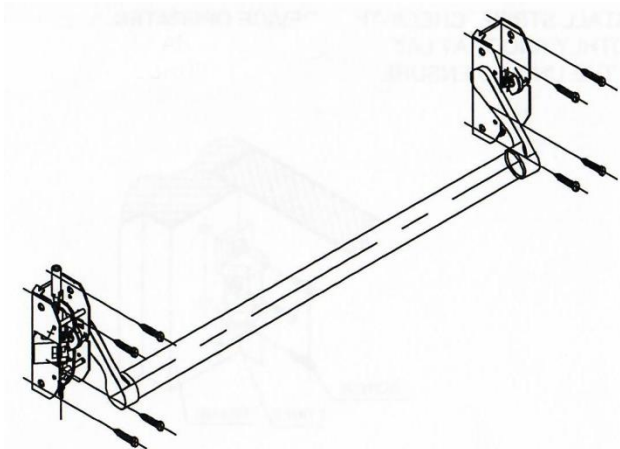
INSTALLATION MANUAL

6. Device for left door and right door
 - a) The standard product is for right door.
 - b) If for left door, remove the screws S1 & S2 that fix the arms.
 - c) Turn the spindle 90°.
 - d) Exchange the arms and fix into the device.
 - e) Put the push bar to connect the arms, but don't fix by screw.



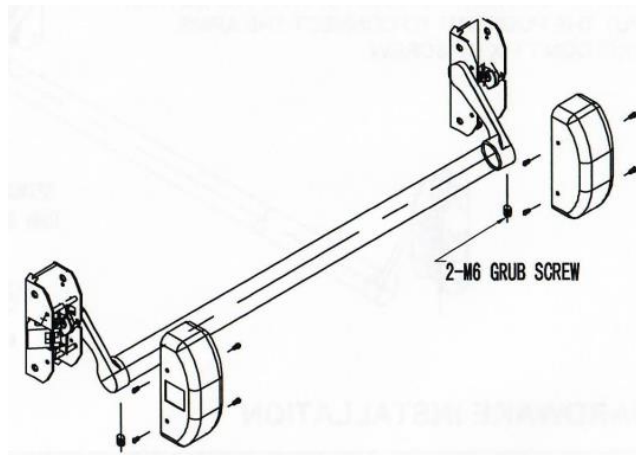
4. HARDWARE INSTALLATION

1. If using outside trim or sex bolts, mount trim per directions in trim box, or install outside sex bolts.
2. Fix the device by sex bolts and through bolt. Test the unit to ensure correct operation.

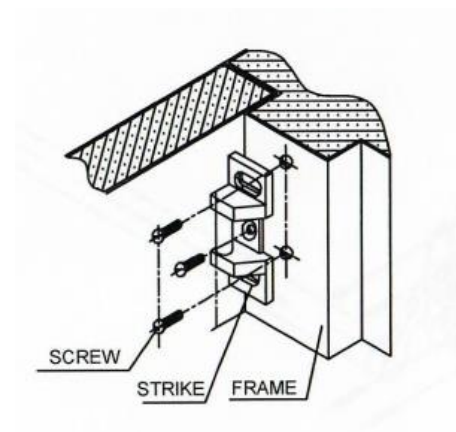


INSTALLATION MANUAL

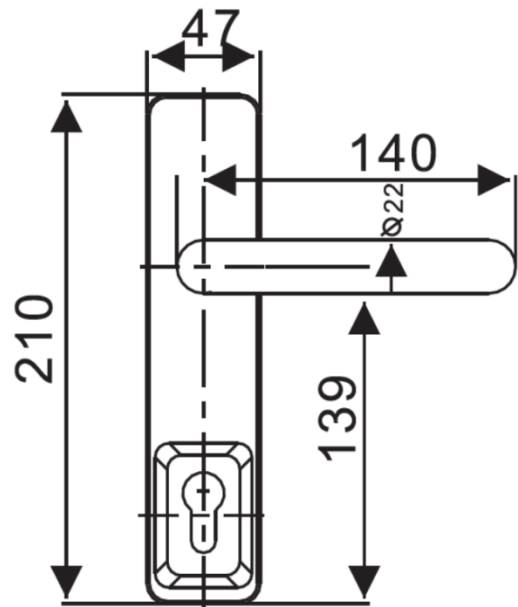
3. Install the cover.
4. Fix the push bar by grub screw, test the unit to ensure correct operation.



5. Install strike. Check that device operates smoothly and that latch bolt engages securely. Test the unit to ensure correct operation.



LEVER OPERATED OUTSIDE TRIM UK-0010T

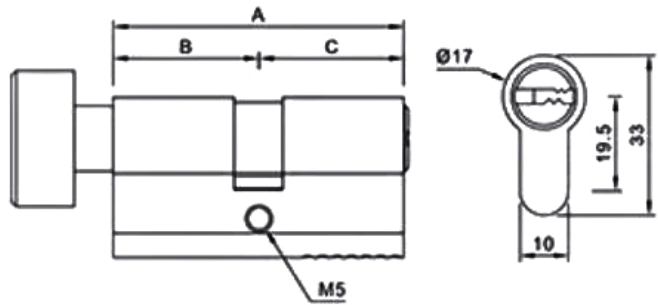


FEATURES

- Description: 210 x 47mm Escutcheon Lever Trim
- Material: Stainless Steel 304
- Finish: SS, PSS, PVD, AB
- Suitable for: Door thickness 45 – 50mm
- Cylinder can be change in site.

DOOR ACCESSORIES

THUMB TURN CYLINDER UKC884 SERIES



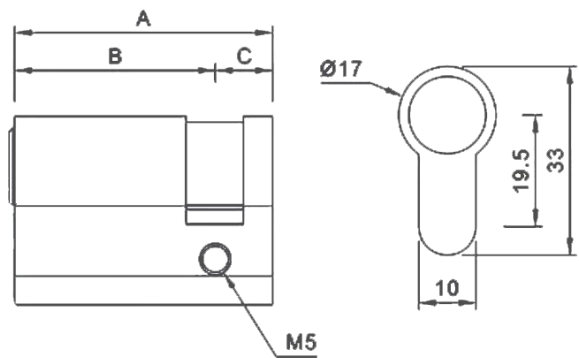
PRODUCT CLASSIFICATION

1	6	0	0	0	C	6	0
---	---	---	---	---	---	---	---

SPECIFICATIONS

- Usage: Wooden Door, Metal Door, Steel Door, Interior Door, Outer Door
- Material: Quality Solid Brass Body and Plug
- Finish: SN, PB, AB, AC, CP, PVD
- Accessories: 3 normal keys
- Suitable for Master Key System

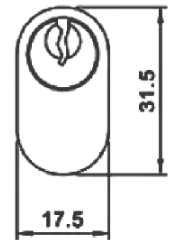
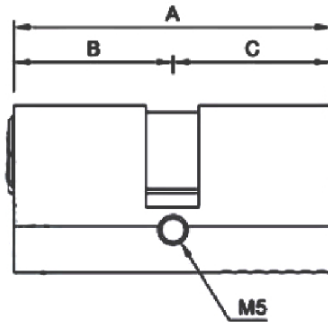
SINGLE CYLINDER UKSC882 SERIES



SPECIFICATIONS

- Usage: Wooden Door, Metal Door, Steel Door, Interior Door, Outer Door
- 6-pins standard
- Material is solid stainless steel body, rubber striker with installing screws
- Finish: SN, PB, AB, AC, CP, PVD
- Accessories: 3 normal keys
- Suitable for Master Key System

DOUBLE CYLINDER UKC883 SERIES



PRODUCT CLASSIFICATION

1	6	0	0	0	C	6	0
---	---	---	---	---	---	---	---

SPECIFICATIONS

- Usage: Wooden Door, Metal Door, Steel Door, Interior Door, Outer Door
- Conforms to EN 1303:2015
- 30 degrees offset cam inhibits knock through
- Anti prick profile
- Suitable for Master Key System

FEATURES

- Size: Please refer to size chart
- Material: SSS
- Finish: SN, PB, AB, AC, CP, PVD
- 3 Key accessories

DOUBLE CYLINDER

Classification code:

1	6	0	-	0	C	2	0
---	---	---	---	---	---	---	---

Category of use

(1 = for use by people with a high incentive to exercise care and with a small chance of misuse)

Durability

(6 = 100,000 cycles)

Door mass

(0 = No requirement)

Suitability - Fire resistance

Safety

(0 = No requirement)

Corrosion resistance

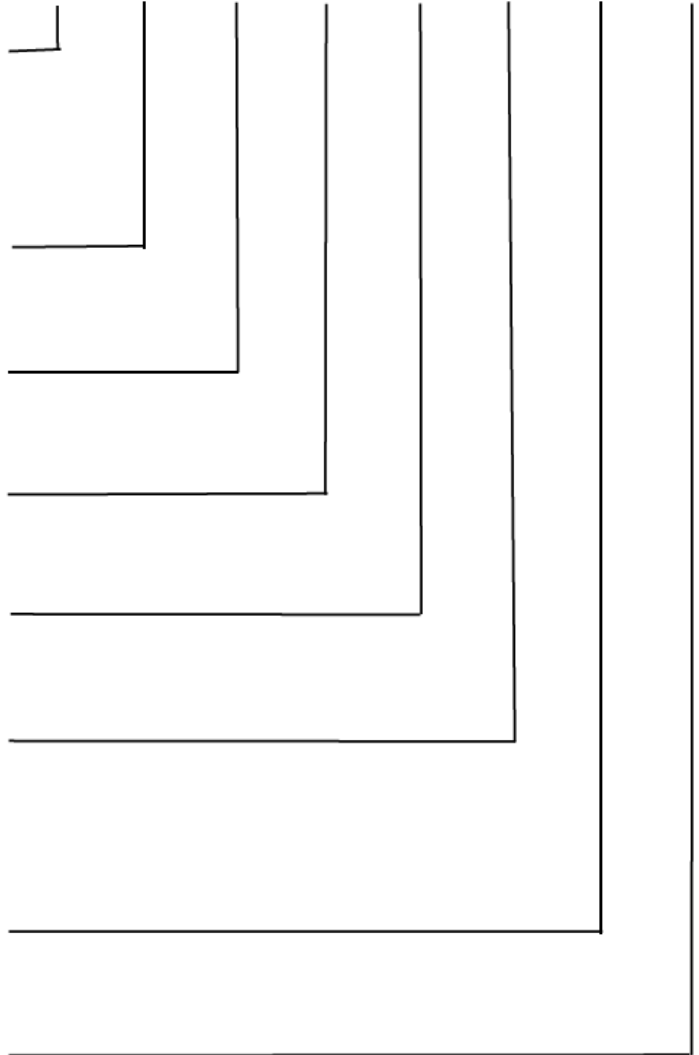
(C = high corrosion resistance; temperature requirement from -20°C to +80°C)

Security

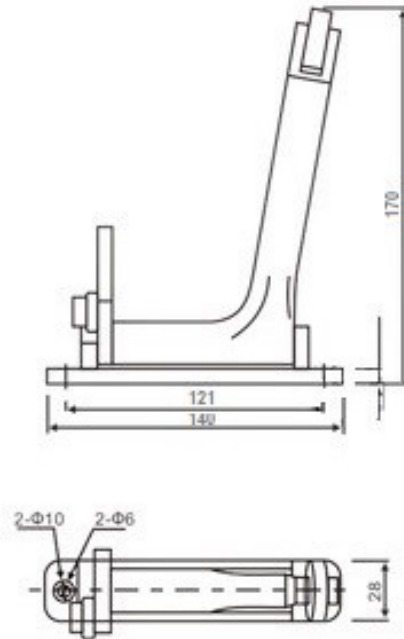
(2 = see table reference)

Attack resistance

(0 = No requirement)



DOOR COORDINATOR UK-00402DC

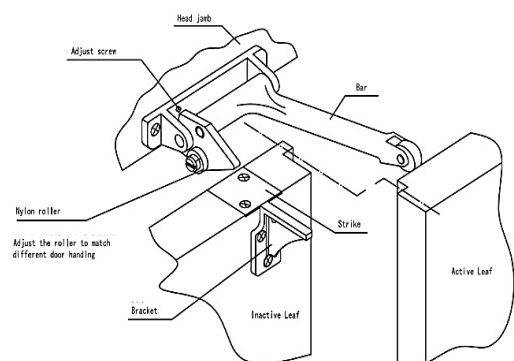


FEATURES

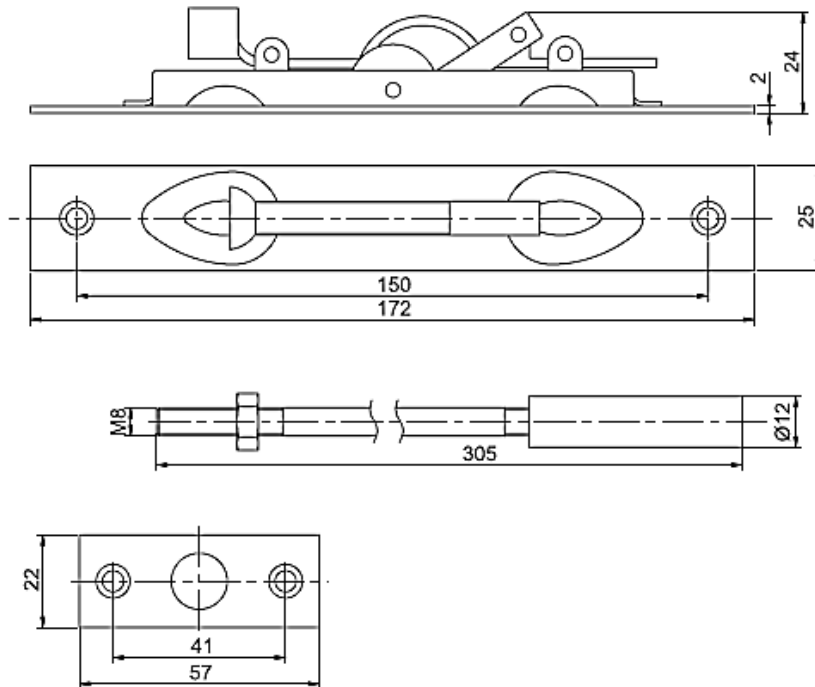
- Size: 140 x 170 mm
- Material: Casting Stainless Steel Grade 304 body and arm, nylon roller
- Available Finishes: Satin Stainless Steel as standard, other finishes are available.
- Range of Application: Wooden Door, Metal Door, Swing Door, Furniture & Cabinet Door.

INSTALLATION STEPS

- Tools Preparation: Portable electric drill , Ø3mm & Ø4mm drill bits, 2.5mm Allen key & Phillips screwdriver.
- Place the coordinator on the side of the jamb, mark the center line and the hole, drill the holes.
- Install the body and tighten the screws.
- Turn the screw on the back of the body to make the nylon roller running on the strike.



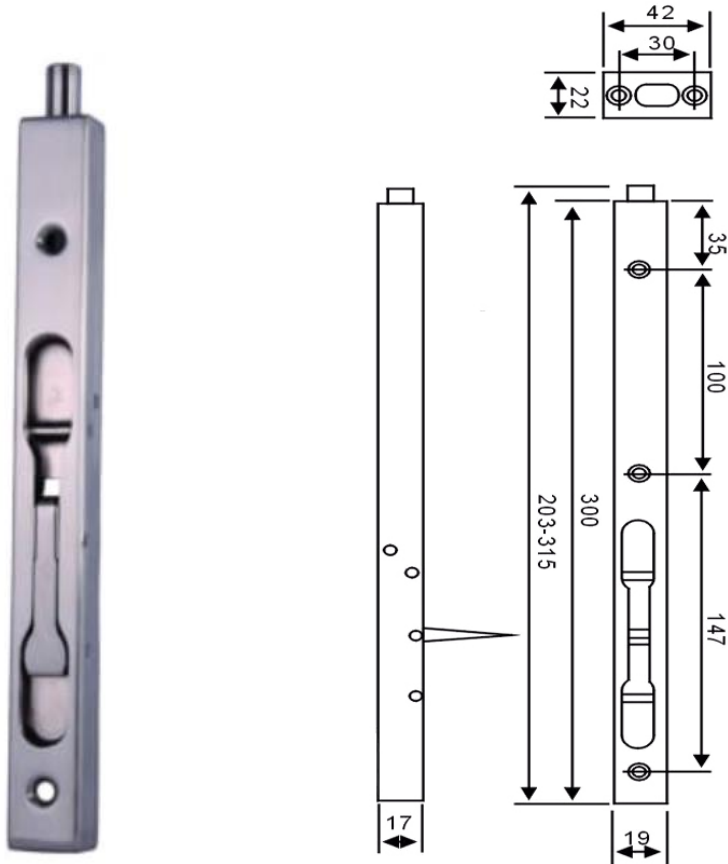
FLUSH BOLT - MANUAL STEEL DOOR UK-004S



FEATURES

- Standard rod length: 305mm
- Round bolt head: $\varnothing 12\text{mm}$
- Fixings: Self-tapping screws and machine screws (M4 x 12mm)
- Finish: Satin
- Range of application: Metal Doors

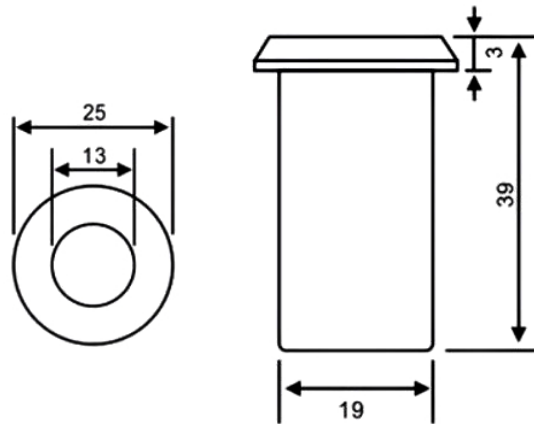
FLUSH BOLT – MANUAL WOODEN DOOR UK-004W



FEATURES

- Material: Brass
- Size: 8", 10", 12", 18", 24"
- Finish: P&L, S&L, CP, NP, SCP, SNP, GP, AB, AC,SS
- Reliable enough for residential daily using
- Application of Doors: Wooden Doors

DUST SOCKET UK-002DP

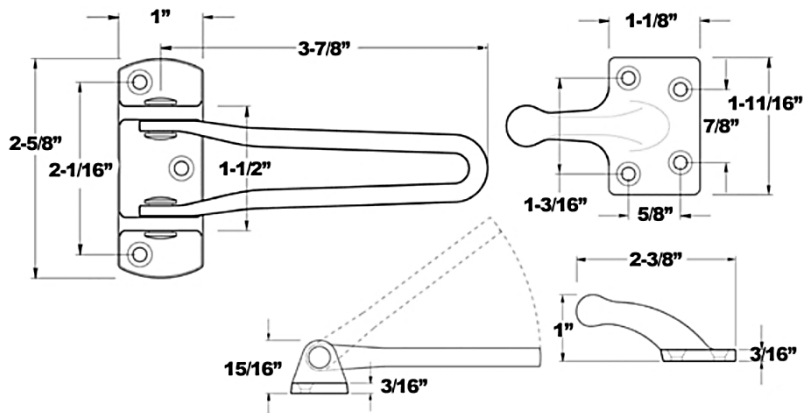


FEATURES

- Stainless Steel Body; Size: 25x39mm
- Finish: SSS, PSS
- Range of application: Wooden Door, Metal Door, Swing Door

DOOR GUARD

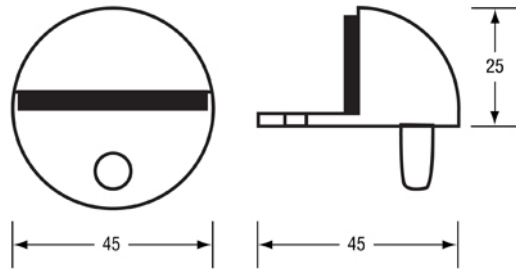
UK-004DG



FEATURES

- Material: Stainless Steel / Zinc Alloy body, Rubber Striker, with installing screws
- Finish: SSS, PSS, PVD, SNP, SCP, AB, AC
- Range of application: Wooden Door, Metal Door, Swing Door

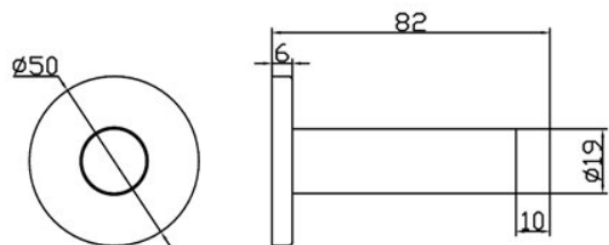
FLOOR MOUNTED UK-007D



FEATURES

- Material: Die Cast Zinc, Rubber Bumper
- Finish: SSS with Black Rubber Bumper
- Mounting: Surface Mount Visible Fix

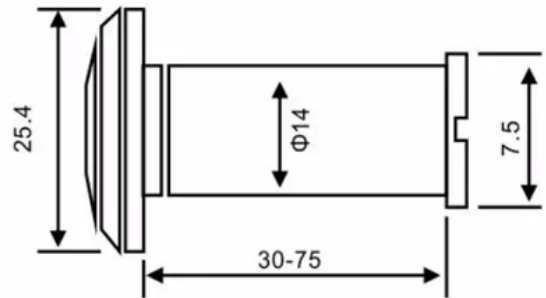
WALL MOUNTED UK-008



FEATURES

- Material: SUS304 with Rubber Tip
- Finish: SSS with Black Rubber Tip
- Concealed Screw Fixing

EYE VIEWER UK-DV002



FEATURES

- Material: Brass / Zinc Alloy Body, Glass Lens
- Finish: Satin, Polished, Gold Plated, Antique Brass, Antique Copper, PVD
- Range of application: Wooden Door, Metal Door, Swing Door

PULL HANDLE UK-007PH



FEATURES

- Material: Stainless Steel 201, SUS304, SUS316
- Tube Diameter: 22mm, 25mm, 32mm, 38mm, 50mm
- Regularly the Tube C-C (center to center) is from 400 – 2,000mm
- Total length: 200 – 2,000mm
- Surface Finish: SSS, PSS, PVD
- Available with: Bolt through fixed, On concealed rose, Back to back fixed, Secret face fix

PULL HANDLE WITH PLATE UK-007PHP



FEATURES

- “PULL” sign with pull handle
- Installation: For screw fixing
- Fixing Material (screw) supplied
- Material: Stainless Steel 201, SUS304, SUS316
- Tube Diameter: 22mm, 25mm, 32mm, 38mm, 50mm
- Surface Finish: SSS, PSS, PVD

PUSH PLATE

UK-460013



FEATURES

- "PUSH" sign
- Installation: For screw fixing
- Fixing Material (screw) supplied
- Material: Solid Stainless 304 / 316
- Finish: SSS, PSS, PVD
- Size: 100x300x1.5mm
100x300x2.0mm
75x300x1.5mm
75x300x2.0mm



FEATURES

- Installation: For screw fixing
- Fixing Material (screw) supplied
- Material: Solid Stainless 304 / 316
- Finish: SSS, PSS, PVD
- Size: 100x300x1.5mm
100x300x2.0mm
75x300x1.5mm
75x300x2.0mm

KICK PLATE

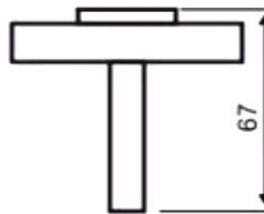
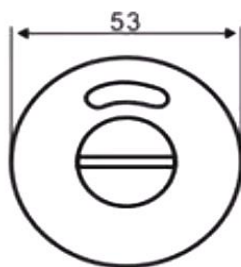
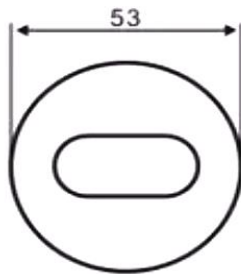
UK-001KP



FEATURES

- Installation: For screw fixing
- Fixing Material (screw) supplied
- Material: SSS 304
- Surface Finish: SSS
- Size: 200mm x width as per door leaf size
- Thickness: 2.00 mm

THUMBTURN INDICATOR UK-003TTI



FEATURES

- Material: Stainless Steel 304 / 316
- Finish: SSS, PSS, PVD, PB, AB, AC
- Range of application: Wooden Door, Metal Door, Steel Door, Interior Door, Outer Door

SIGNAGES
UK-002S SERIES

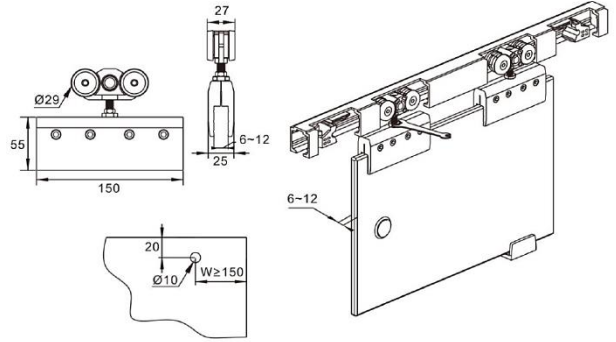


SLIDING HARDWARE

SLIDING DOOR ROLLER
Glass Door



SLIDING DOOR ROLLER Glass Door



Glass Door Hole Size

UK-416-8B





FEATURES

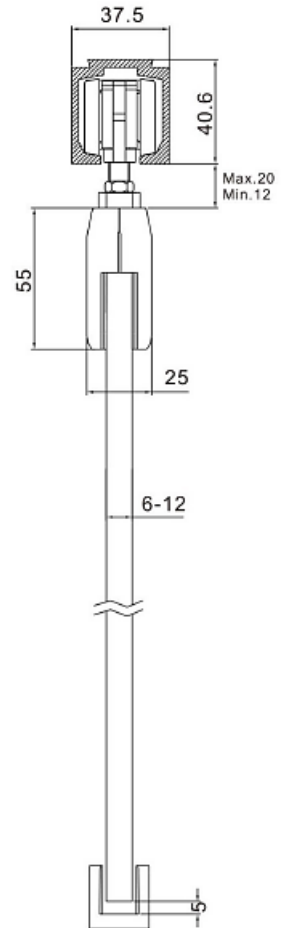
- For Single or Double Door
- Height Adjustment : 8mm
- Max. Door Weight: 120kg
- For Glass Thickness: 6, 8, 10, 12mm

MATERIALS AND FINISHES

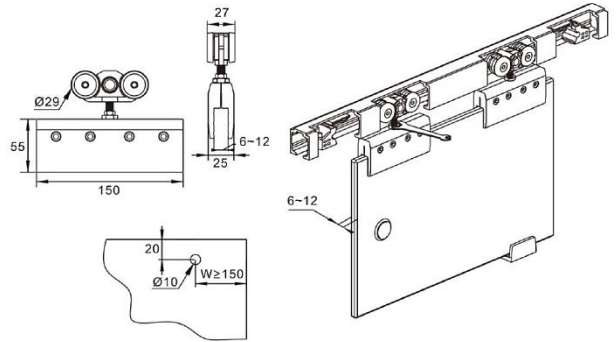
- Sliding Track: Aluminum, Anodized
- Hanging Roller: Nylon, Black
- Glass Clamp: Aluminum, Sand Blasting

STANDARD CONFIGURATION

	Hanging Roller	2 pcs
	Glass Clamp	2 pcs
	Door Stop	2 pcs
	Bottom Guide	1 pc
	Screws	1 set



SLIDING DOOR ROLLER Glass Door



Glass Door Hole Size

UK-417-8B





FEATURES

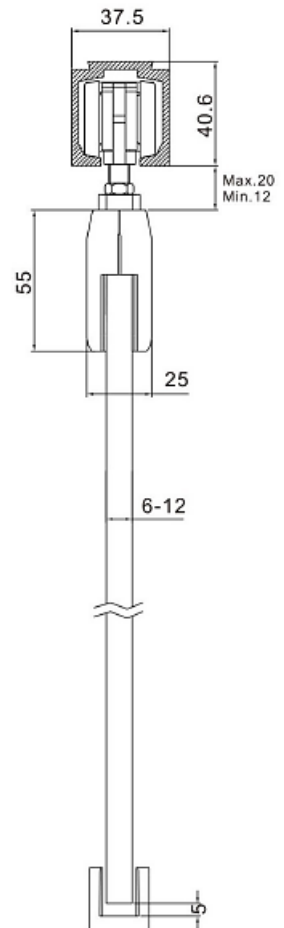
- For Single or Double Door
- Height Adjustment: 8mm
- Max. Door Weight: 120kg
- For Glass Thickness: 6, 8, 10, 12mm

MATERIALS AND FINISHES

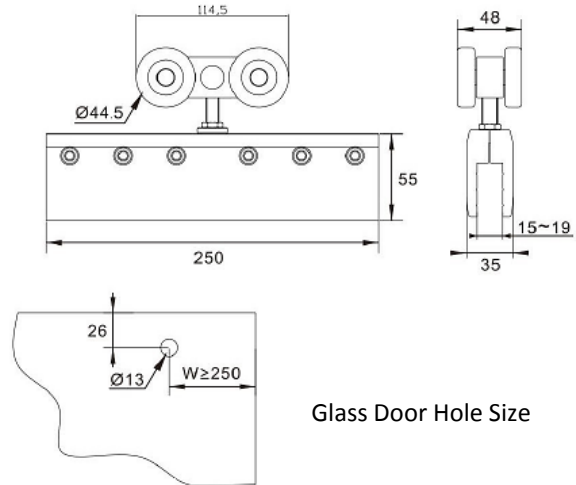
- Sliding Track: Aluminum, Anodized
- Hanging Roller: Zinc Alloy, SN, PC
- Glass Clamp: Aluminum, Sand Blasting

STANDARD CONFIGURATION

	Hanging Roller	2 pcs
	Glass Clamp	2 pcs
	Door Stop	2 pcs
	Bottom Guide	1 pc
	Screws	1 set



SLIDING DOOR ROLLER Glass Door



Glass Door Hole Size

UK-002SR



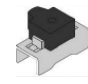

FEATURES

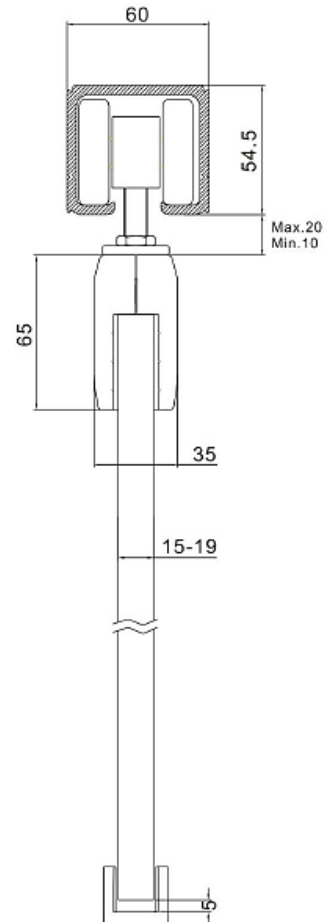
- For Single or Double Leaf Door
- Height Adjustment: 10mm
- Max. Door Weight: 350kg
- For Glass Thickness: 15, 17, 19mm

MATERIALS AND FINISHES

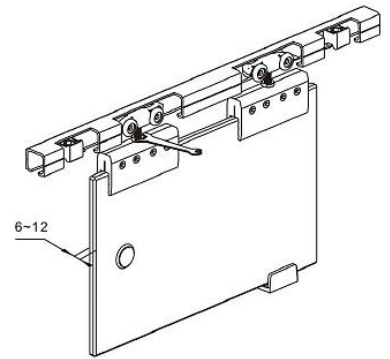
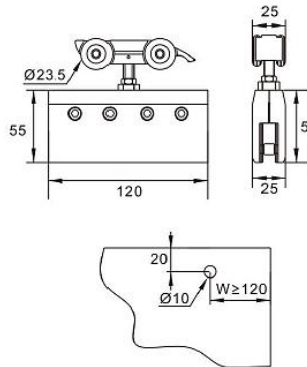
- Sliding Track: Aluminum, Anodized
- Hanging Roller: Aluminum, Anodized
- Glass Clamp: Aluminum, Sand Blasting

STANDARD CONFIGURATION

	Hanging Roller	2 pcs
	Glass Clamp	2 pcs
	Door Stop	2 pcs
	Bottom Guide	1 pc
	Screws	1 set



SLIDING DOOR ROLLER Glass Door



Glass Door Hole Size

UK-423-4B





FEATURES

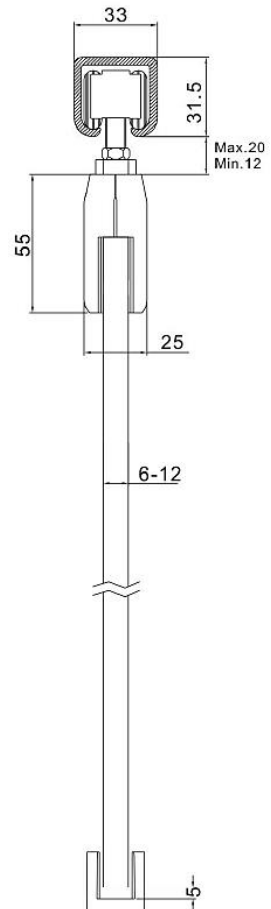
- For Single or Double Leaf Door
- Height Adjustment: 8mm
- Max. Door Weight: 80kg
- For Glass Thickness: 6, 8, 10, 12mm

MATERIALS AND FINISHES

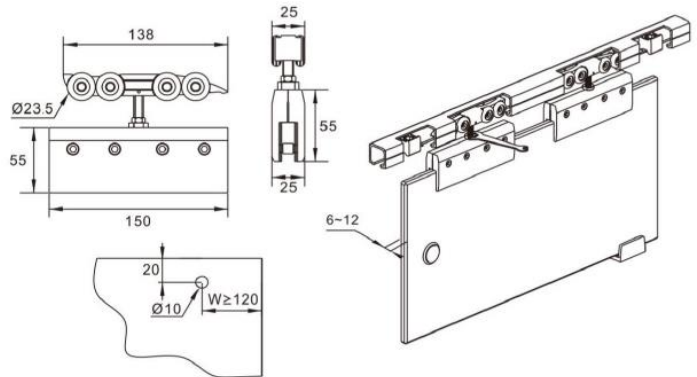
- Sliding Track: Aluminum, Anodized
- Hanging Roller: Zinc Alloy, SN
- Glass Clamp: Aluminum, Sand Blasting

STANDARD CONFIGURATION

	Hanging Roller	2 pcs
	Glass Clamp	2 pcs
	Door Stop	2 pcs
	Bottom Guide	1 pc
	Screws	1 set



SLIDING DOOR ROLLER Glass Door



Glass Door Hole Size

UK-823-8B





FEATURES

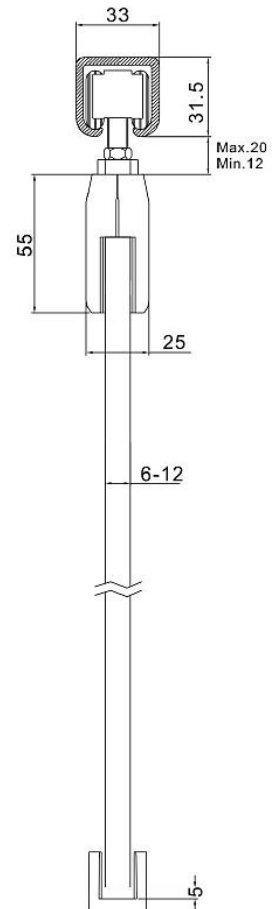
- For Single or Double Leaf Door
- Height Adjustment: 8mm
- Max. Door Weight: 120kg
- For Glass Thickness: 6, 8, 10, 12mm

MATERIALS AND FINISHES

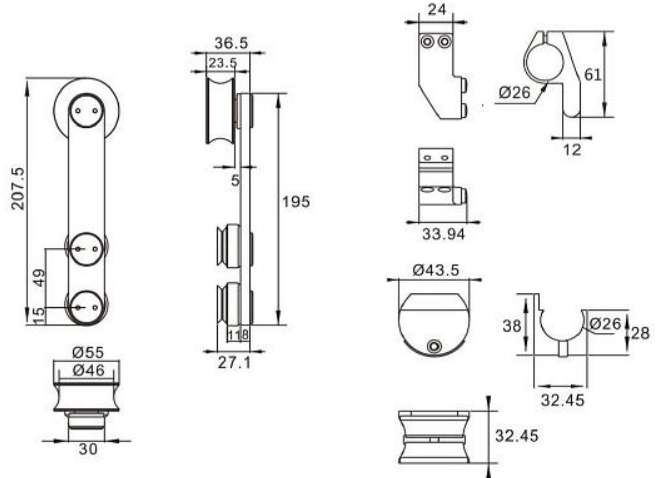
- Sliding Track: Aluminum, Anodized
- Hanging Roller: Zinc Alloy, SN
- Glass Clamp: Aluminum, Sand Blasting

STANDARD CONFIGURATION

	Hanging Roller	2 pcs
	Glass Clamp	2 pcs
	Door Stop	2 pcs
	Bottom Guide	1 pc
	Screws	1 set



SLIDING DOOR ROLLER Glass Door



HL-019

FEATURES

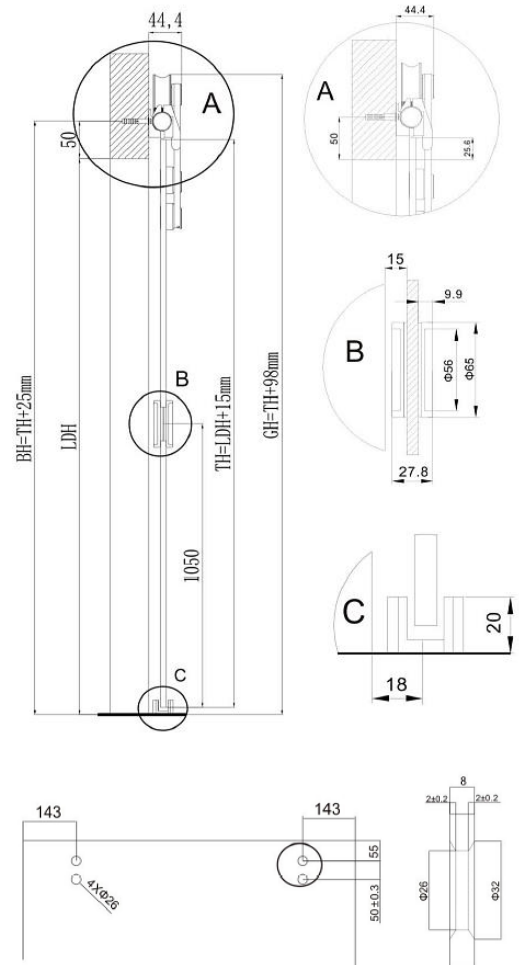
- For Single or Double Leaf Door
- Height Adjustment: 5mm
- Max. Door Weight: 80kg
- For Glass Thickness: 8, 10, 12mm

MATERIALS AND FINISHES

- Sliding Track: Stainless Steel, SS
- Hanging Roller: Stainless Steel, SS

STANDARD CONFIGURATION

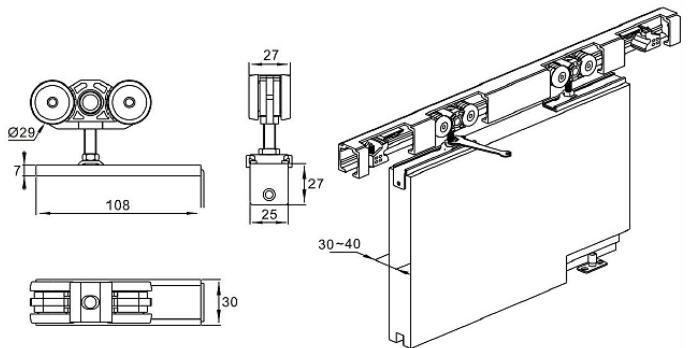
	Sliding Track	1 pc
	Hanging Roller	2 pcs
	Pipe Clamp	4 pcs
	Door Stop	2 pcs
	Bottom Guide	1 pc
	Handle	1 pc
	Screws	1 set



SLIDING WOODEN DOOR



SLIDING DOOR ROLLER Wooden Door



UK-416-4C

FEATURES

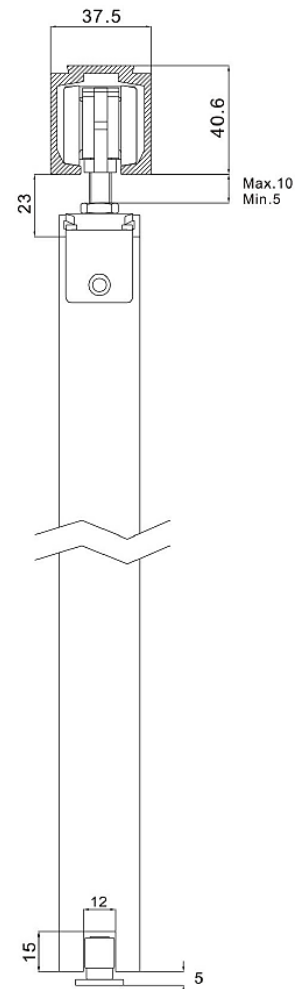
- For Single or Double Leaf Door
- Height Adjustment: 5mm
- Max. Door Weight: 80kg
- Min. Door Thickness: 30mm

MATERIALS AND FINISHES

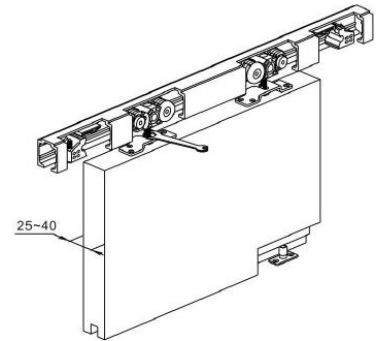
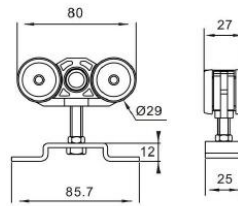
- Sliding Track: Aluminum, Anodized
- Hanging Roller: Nylon, Black
- Bracket: Aluminum, Anodized

STANDARD CONFIGURATION

	Hanging Roller	2 pcs
	Bracket	2 pcs
	Door Stop	2 pcs
	Bottom Guide	1 pc
	Screws	1 set



SLIDING DOOR ROLLER Wooden Door



UK-A416SR

FEATURES

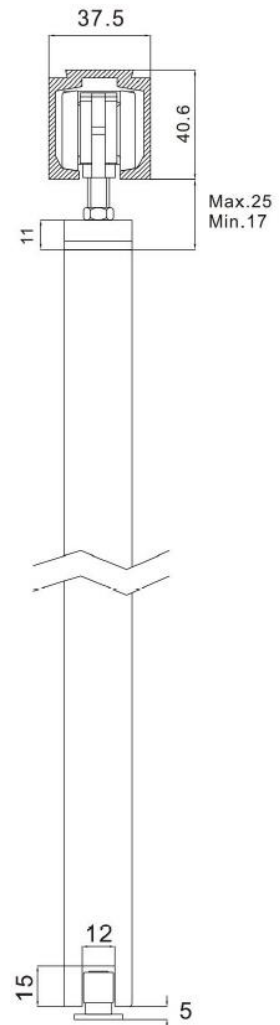
- For Single or Double Leaf Door
- Height Adjustment: 8mm
- Max. Door Weight: 60kg
- Min. Door Thickness: 25mm

MATERIALS AND FINISHES

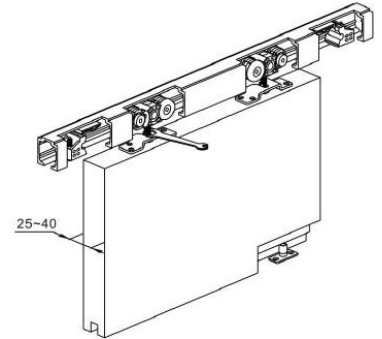
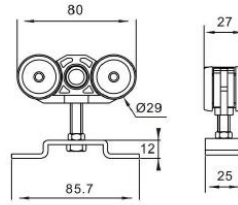
- Sliding Track: Aluminum, Anodized
- Hanging Roller: Nylon, Black
- Bracket: Iron, Zinc

STANDARD CONFIGURATION

	Hanging Roller	2 pcs
	Bracket	2 pcs
	Door Stop	2 pcs
	Bottom Guide	1 pc
	Screws	1 set



SLIDING DOOR ROLLER Wooden Door



UK-A417SR

FEATURES

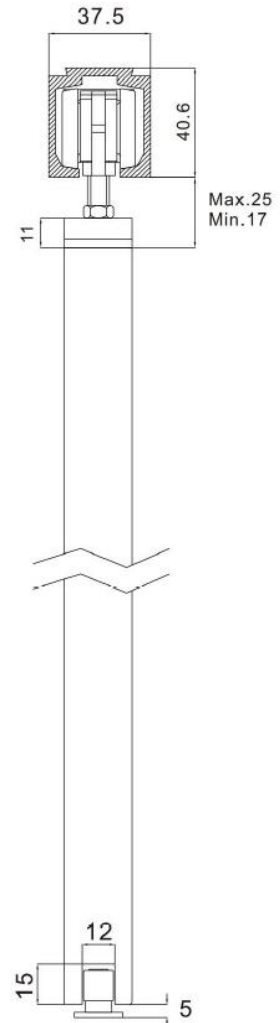
- For Single or Double Leaf Door
- Height Adjustment: 8mm
- Max. Door Weight: 80kg
- Min. Door Thickness: 25mm

MATERIALS AND FINISHES

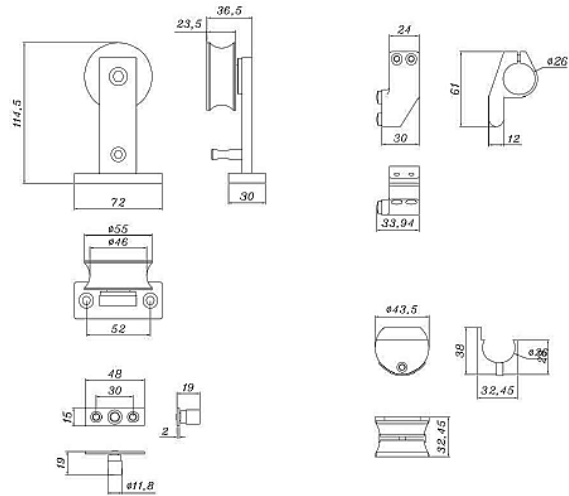
- Sliding Track: Aluminum, Anodized
- Hanging Roller: Nylon, Black
- Bracket: Iron, Zinc

STANDARD CONFIGURATION

	Hanging Roller	2 pcs
	Bracket	2 pcs
	Door Stop	2 pcs
	Bottom Guide	1 pc
	Screws	1 set



SLIDING DOOR ROLLER Wooden Door



UK-081SR

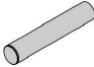



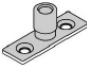
FEATURES

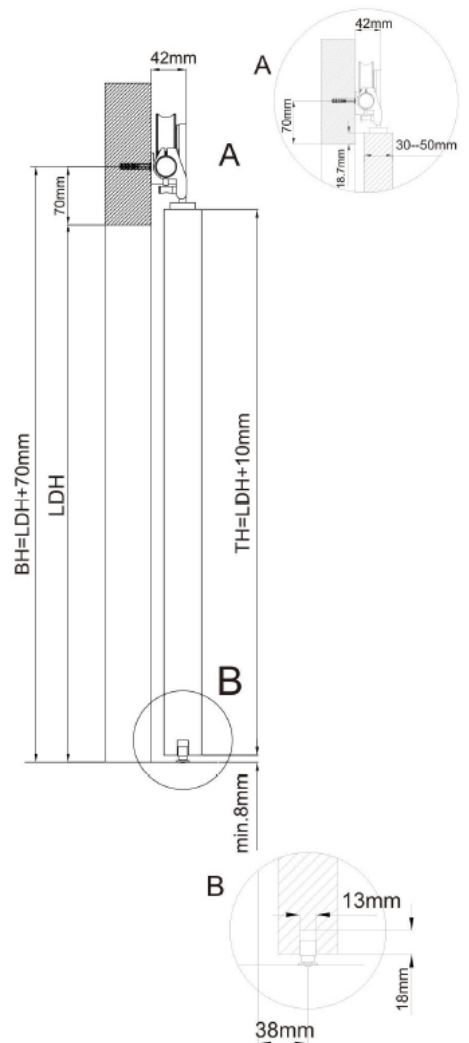
- For Single or Double Leaf Door
- Max. Door Weight: 150kg
- Door Thickness: 30-45mm

MATERIALS AND FINISHES

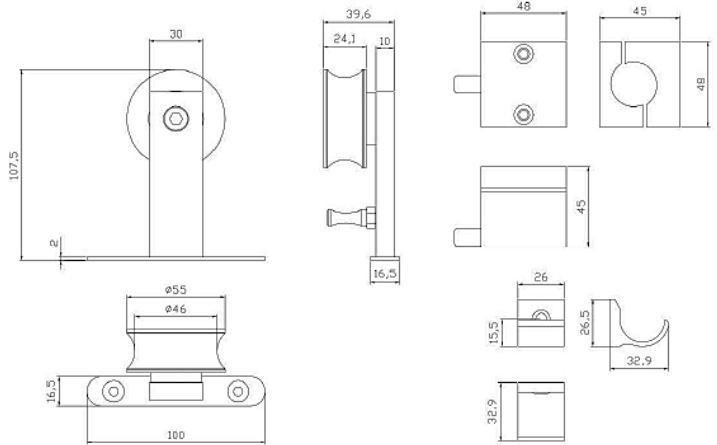
- Sliding Track: Stainless Steel, SS
- Hanging Roller: Stainless Steel, SS

STANDARD CONFIGURATION

	Sliding Track	1 pc
	Hanging Roller	2 pcs
	Pipe Clamp	4 pcs
	Door Stop	2 pcs
	Bottom Guide	1 pc
	Screws	1 set



SLIDING DOOR ROLLER Wooden Door



UK-065SR

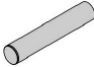




FEATURES

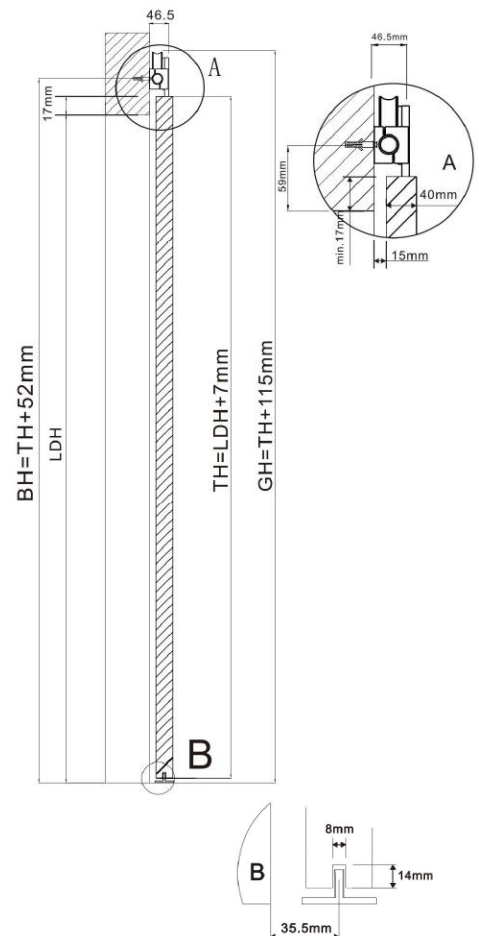
- For Single or Double Leaf Door
- Max. Door Weight: 80kg
- Min. Door Thickness: 25-50mm

MATERIALS AND FINISHES

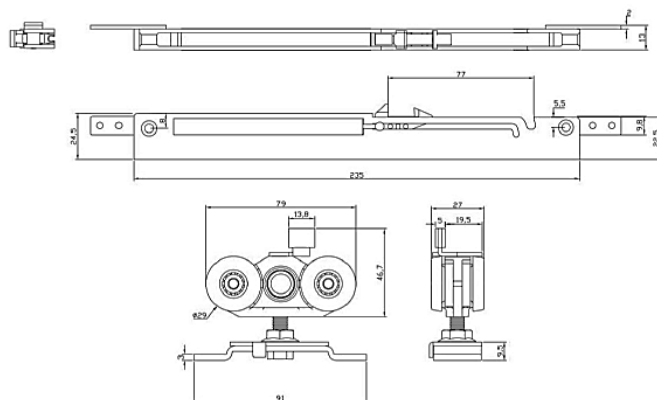
- Sliding Track: Stainless Steel, SS
- Hanging Roller: Stainless Steel, SS

STANDARD CONFIGURATION

	Sliding Track	1 pc
	Hanging Roller	2 pcs
	Pipe Clamp	4 pcs
	Door Stop	2 pcs
	Bottom Guide	1 pc
	Screws	1 set



SOFT-CLOSE SLIDING DOOR ROLLER Wooden Door



UK-B417SCR

FEATURES

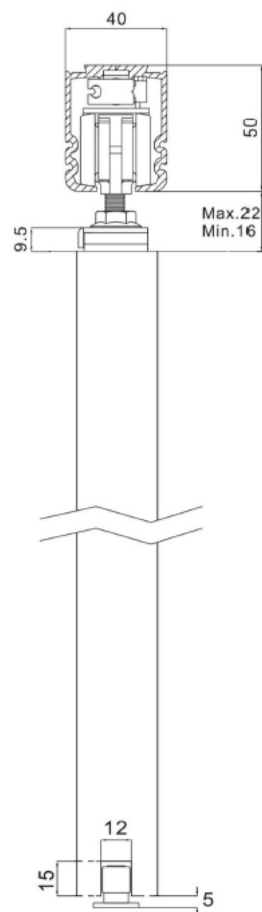
- For Single or Double Leaf Door
- With soft-close function
- Height Adjustment: 5mm
- Max. Door Weight: 80kg
- Min. Door Thickness: 25mm

MATERIALS AND FINISHES

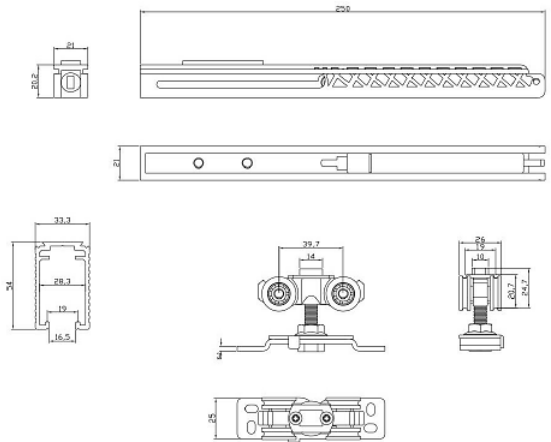
- Sliding Track: Aluminum, Anodized
- Hanging Roller: Zinc Alloy, PS
- Bracket: Iron, Zinc

STANDARD CONFIGURATION

	Hanging Roller	2 pcs
	Bracket	2 pcs
	Soft-close damper device	2 pcs
	Bottom Guide	1 pc
	Screws	1 set



SOFT-CLOSE SLIDING DOOR ROLLER Wooden Door



UK-025SCR

FEATURES

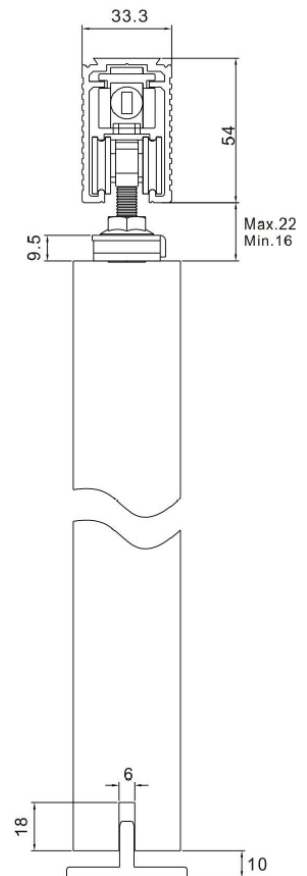
- For Single or Double Leaf Door
- With soft-close function
- Height Adjustment: 5mm
- Max. Door Weight: 80kg
- Min. Door Thickness: 25mm

MATERIALS AND FINISHES

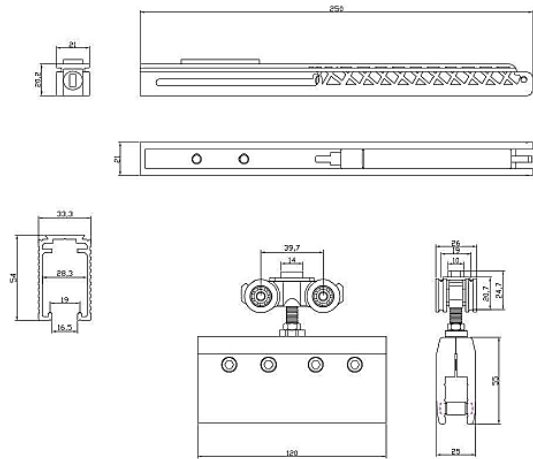
- Sliding Track: Aluminum, Anodized
- Hanging Roller: Zinc Alloy, PS
- Bracket: Iron, Zinc

STANDARD CONFIGURATION

	Hanging Roller	2 pcs
	Bracket	2 pcs
	Soft-close damper device	2 pcs
	Bottom Guide	1 pc
	Screws	1 set



SOFT-CLOSE SLIDING DOOR ROLLER Glass Door



UK-026SCR


FEATURES

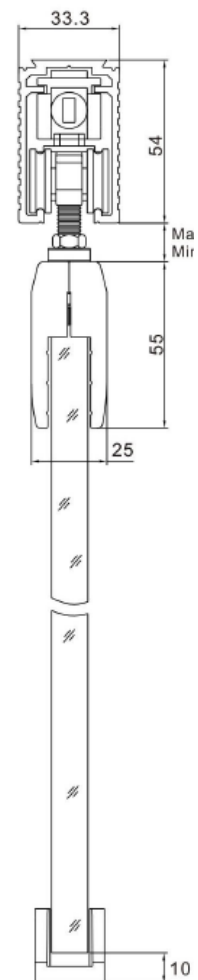
- For Single or Double Leaf Door
- With soft-close function
- Height Adjustment: 5mm
- Max. Door Weight: 80kg
- Glass Thickness: 6, 8, 10, 12mm

MATERIALS AND FINISHES

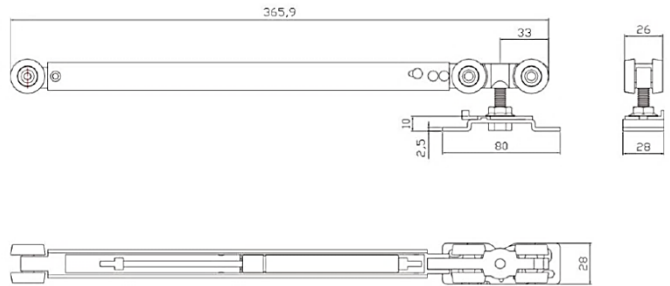
- Sliding Track: Aluminum, Anodized
- Hanging Roller: Zinc Alloy, PS
- Bracket: Aluminum, Sand blasting

STANDARD CONFIGURATION

	Hanging Roller	2 pcs
	Glass Clamp	2 pcs
	Soft-close damper device	2 pcs
	Bottom Guide	1 pc
	Screws	1 set



SOFT-CLOSE SLIDING DOOR ROLLER Wooden Door



UK-042SCR







FEATURES

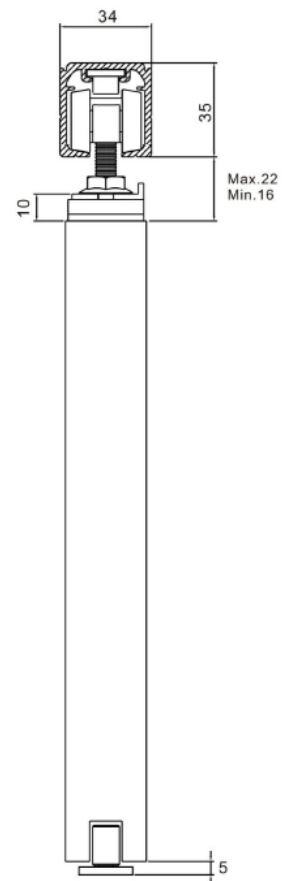
- For Single or Double Leaf Door
- With soft-close function
- Height Adjustment: 5mm
- Max. Door Weight: 80kg
- Min. Door Thickness: 30mm

MATERIALS AND FINISHES

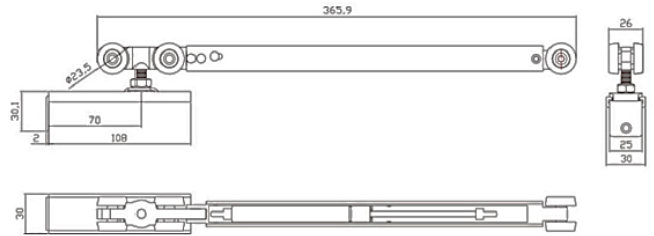
- Sliding Track: Aluminum, Anodized
- Hanging Roller: Zinc Alloy, SN
- Bracket: Iron, Zinc

STANDARD CONFIGURATION

	Hanging Roller	1 pc
	Hanging Roller	1 pc
	Bracket	2 pcs
	Door Stop	1 pc
	Bottom Guide	1 pc
	Soft Close Damper Device	1 pc
	Screws	1 set



SOFT-CLOSE SLIDING DOOR ROLLER Wooden Door



UK-045SCR







FEATURES

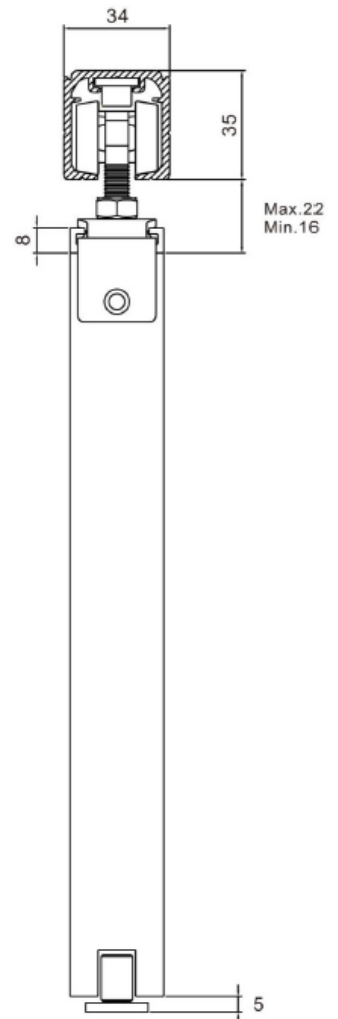
- For Single or Double Leaf Door
- With soft-close function
- Height Adjustment: 5mm
- Max. Door Weight: 80kg
- Min. Door Thickness: 30mm

MATERIALS AND FINISHES

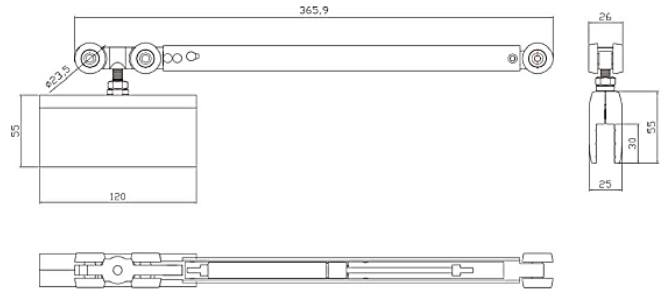
- Sliding Track: Aluminum, Anodized
- Hanging Roller: Zinc Alloy, SN
- Bracket: Brass, Zinc

STANDARD CONFIGURATION

	Hanging Roller	1 pc
	Hanging Roller	1 pc
	Bracket	2 pcs
	Door Stop	1 pc
	Bottom Guide	1 pc
	Soft Close Damper Device	1 pc
	Screws	1 set



SOFT-CLOSE SLIDING DOOR ROLLER Glass Door



UK-046SCR







FEATURES

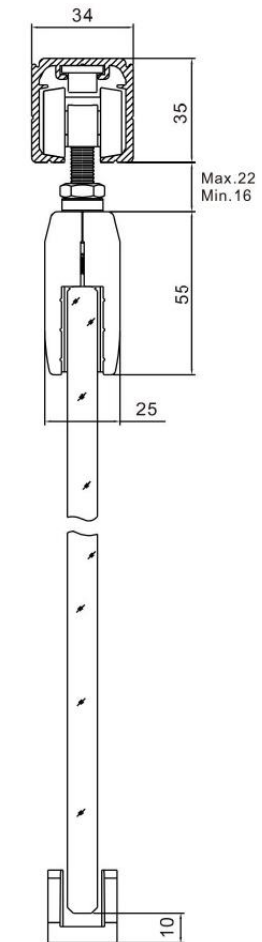
- For Single or Double Leaf Door
- With soft-close function
- Height Adjustment: 5mm
- Max. Door Weight: 80kg
- Glass Thickness: 6, 8, 10, 12mm

MATERIALS AND FINISHES

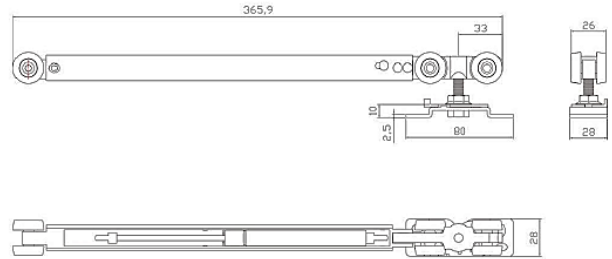
- Sliding Track: Aluminum, Anodized
- Hanging Roller: Zinc Alloy, SN
- Glass Clamp: Aluminum, Sand Blasting

STANDARD CONFIGURATION

	Hanging Roller	1 pc
	Hanging Roller	1 pc
	Glass Clamp	2 pcs
	Door Stop	1 pc
	Bottom Guide	1 pc
	Soft Close Damper Device	1 pc
	Screws	1 set



SOFT-CLOSE SLIDING DOOR ROLLER Wooden Door



UK-047SCR

FEATURES

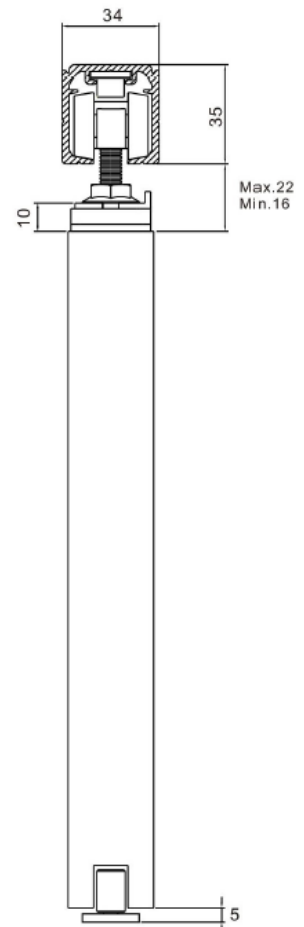
- For Single or Double Leaf Door
- With soft-close function
- Height Adjustment: 5mm
- Max. Door Weight: 80kg
- Min. Door Thickness: 30mm

MATERIALS AND FINISHES

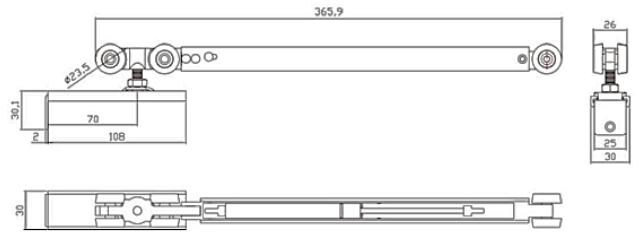
- Sliding Track: Aluminum, Anodized
- Hanging Roller: Zinc Alloy, SN
- Glass Clamp: Iron, SN

STANDARD CONFIGURATION

	Hanging Roller	2 pcs
	Bracket	2 pcs
	Soft Close Damper device	2 pcs
	Bottom Guide	1 pc
	Screws	1 set



SOFT-CLOSE SLIDING DOOR ROLLER Wooden Door



UK-048SCR

FEATURES

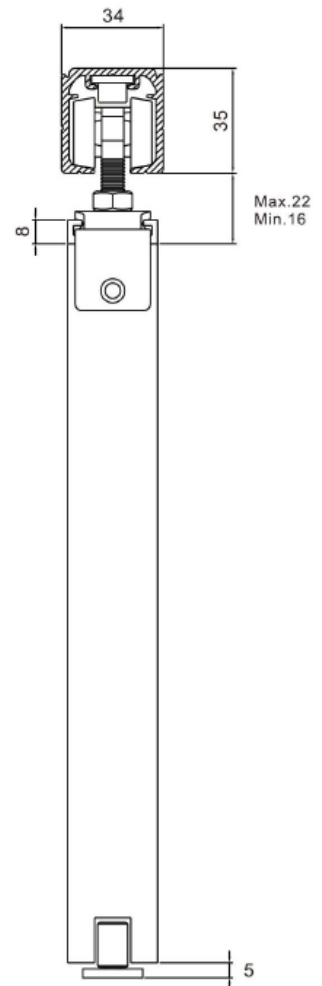
- For Single or Double Leaf Door
- With soft-close function
- Height Adjustment: 5mm
- Max. Door Weight: 80kg
- Min. Door Thickness: 30mm

MATERIALS AND FINISHES

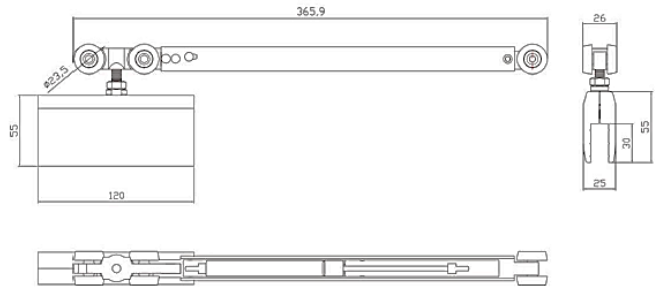
- Sliding Track: Aluminum, Anodized
- Hanging Roller: Zinc Alloy, SN
- Glass Clamp: Brass, SN

STANDARD CONFIGURATION

	Hanging Roller	2 pcs
	Bracket	2 pcs
	Soft Close Damper device	2 pcs
	Bottom Guide	1 pc
	Screws	1 set



SOFT-CLOSE SLIDING DOOR ROLLER Glass Door



UK-049SCR

FEATURES

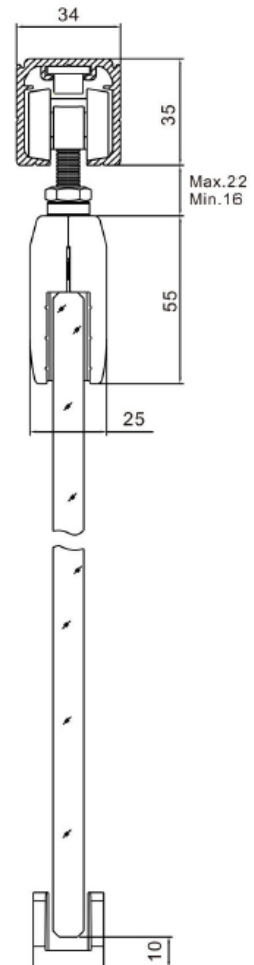
- For Single or Double Leaf Door
- With soft-close function
- Height Adjustment: 5mm
- Max. Door Weight: 80kg
- Glass Thickness: 6, 8, 10, 12mm

MATERIALS AND FINISHES

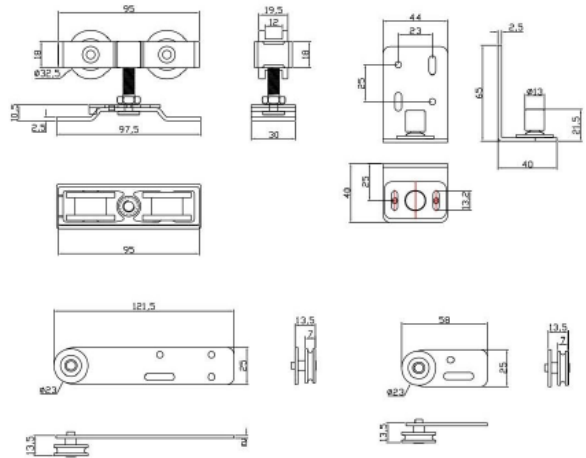
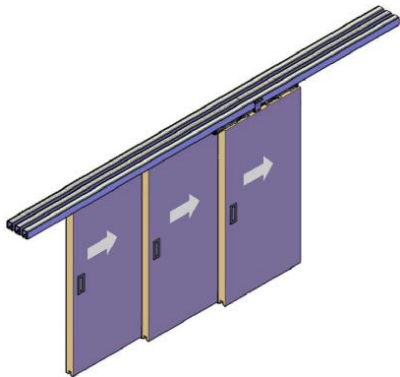
- Sliding Track: Aluminum, Anodized
- Hanging Roller: Zinc Alloy, SN
- Glass Clamp: Aluminum, Sand blasting

STANDARD CONFIGURATION

	Hanging Roller	2 pcs
	Glass Clamp	2 pcs
	Soft Close Damper device	2 pcs
	Bottom Guide	1 pc
	Screws	1 set



SYMMETRICAL SLIDING DOOR ROLLER Wooden Door



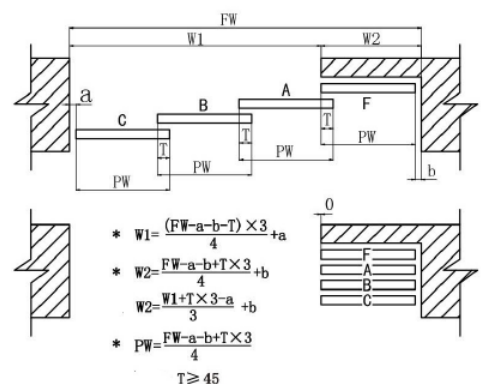
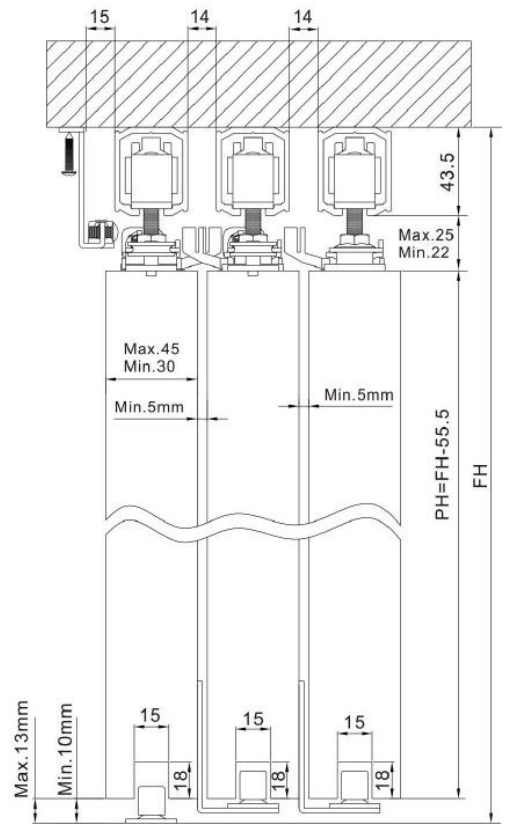
UK-053SSR

FEATURES

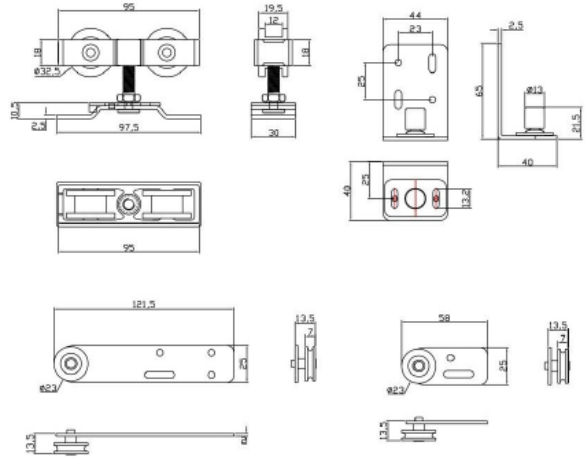
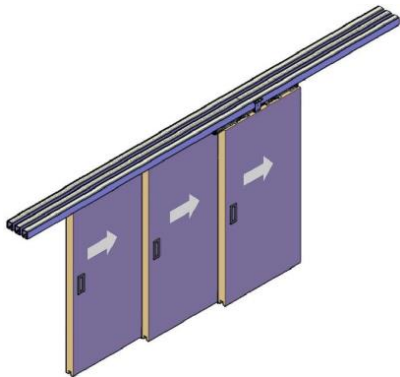
- Synchronized syntropy sliding system for three doors
- Height Adjustment: 3mm
- Max. Door Weight: 80kg
- Door Thickness: 30 - 45mm
- Door Width: 500 – 1200mm

STANDARD CONFIGURATION

	Hanging Roller	6 pcs
	Bracket	6 pcs
	Door Stop	6 pcs
	Fixing device for traction rope	1 pc
	Long bracket with wheel	2 pcs
	Short bracket with wheel	2 pcs
	Installation fitting for traction rope	2 pcs
	Fixing device for traction rope	2 pcs
	Bottom Guide	2 pcs
	Traction rope 3 meters	2 pcs
	Bottom Guide	1 pc
	Connector for traction rope	1 pc
	Screws	1 set



SYMMETRICAL SLIDING DOOR ROLLER Wooden Door










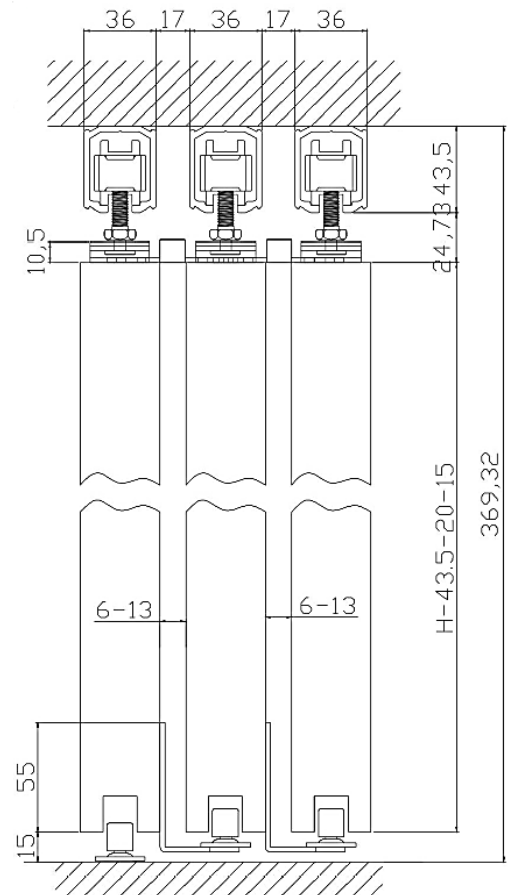
UK-044SSR

FEATURES

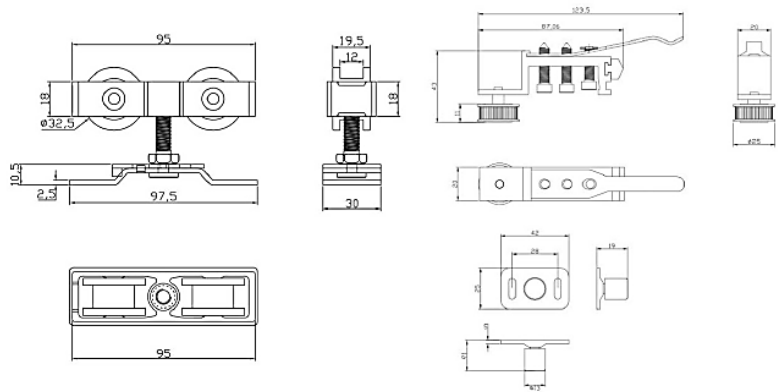
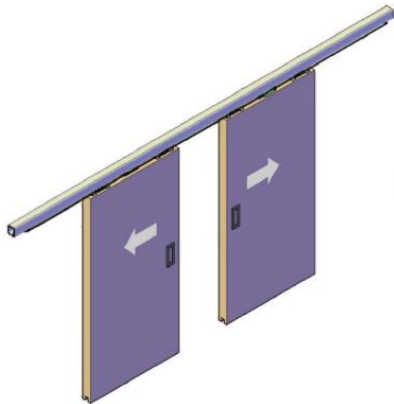
- Unsynchronized syntropy sliding system for three doors
- Height Adjustment: 5mm
- Max. Door Weight: 80kg
- Door Thickness: 40 - 47mm
- Door Width: 500 – 1200mm

STANDARD CONFIGURATION

	Hanging Roller	6 pcs
	Bracket	6 pcs
	Door Stop	6 pcs
	Left linkage fitting	4 pcs
	Right linkage fitting	3 pcs
	Bottom Guide	2 pcs
	Bottom guide	1 pc
	Screws	1 set



SYMMETRICAL SLIDING DOOR ROLLER Wooden Door



UK-075-01SSR









FEATURES

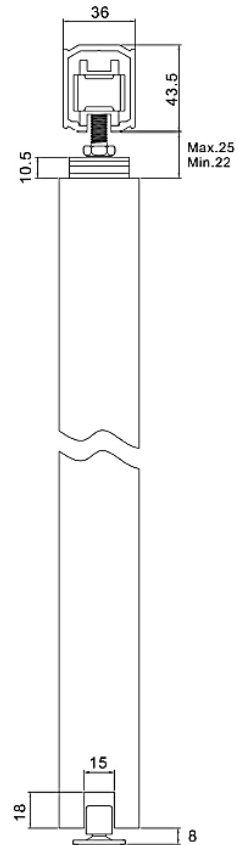
- For double leaf sliding doors, synchronized inversion sliding system for double door.
- Height Adjustment: 3mm
- Max. Door Weight: 80kg
- Door Thickness: 30 - 45mm
- Door Width: 500 – 1200mm

MATERIALS AND FINISHES

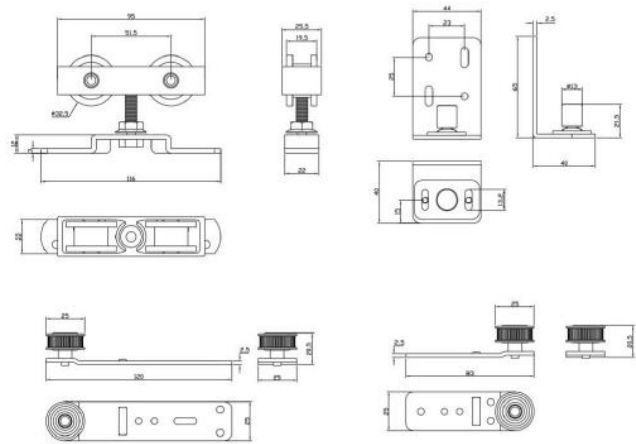
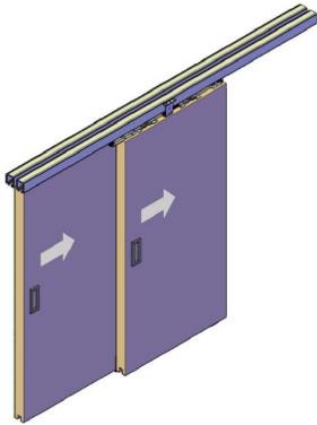
- Sliding Track: Aluminum, Anodized
- Hanging Roller: Zinc Alloy, SN
- Glass Clamp: Iron, SN

STANDARD CONFIGURATION

	Hanging Roller	4 pcs
	Bracket	4 pcs
	Door Stop	2 pcs
	Door Stop	2 pcs
	Connector for belt	1 pc
	Fixing device for belt	2 pcs
	Belt 7 meters	1 pc
	Bottom guide	2 pcs
	Screws	1 set



SYMMETRICAL SLIDING DOOR ROLLER Wooden Door



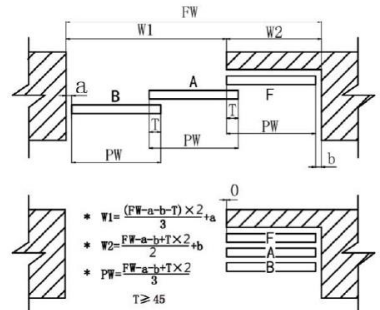
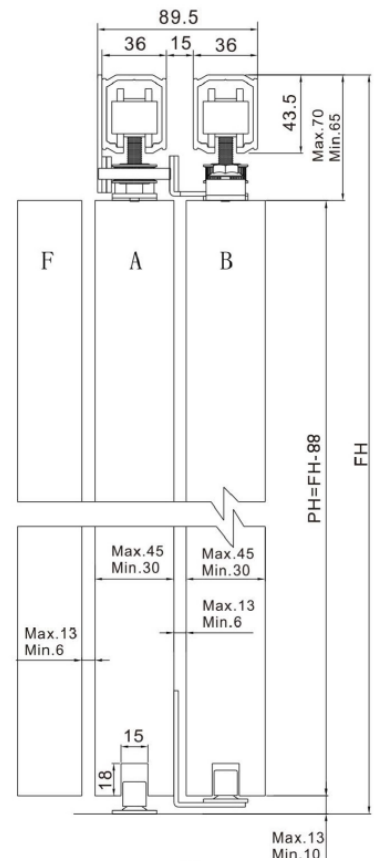
UK-075SSR

FEATURES

- Synchronized Syntropy sliding system for double doors
- Height Adjustment: 3mm
- Max. Door Weight: 80kg
- Door Thickness: 30 - 45mm
- Door Width: 500 – 1200mm

STANDARD CONFIGURATION

	Hanging Roller	4 pcs
	Bracket	4 pcs
	Door Stop	4 pcs
	Fixed Seat	1 pc
	Long Bracket with wheel	1 pc
	Long Bracket with wheel	1 pc
	Connector for belt	1 pc
	Fixing device for belt	1 pc
	Bottom guide	1 pc
	Belt 3 meters	1 pc
	Bottom guide	1 pc
	Screws	1 set



SLIDING BARN DOOR ROLLER
Wooden Door



SLIDING BARN DOOR ROLLER
Wooden Door

SILVER BLACK



WHITE CRACKLE



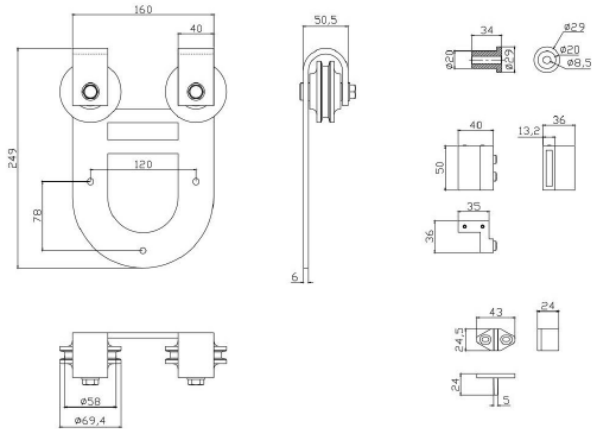
ANTIQUe BRONZE



WEATHERED RUST



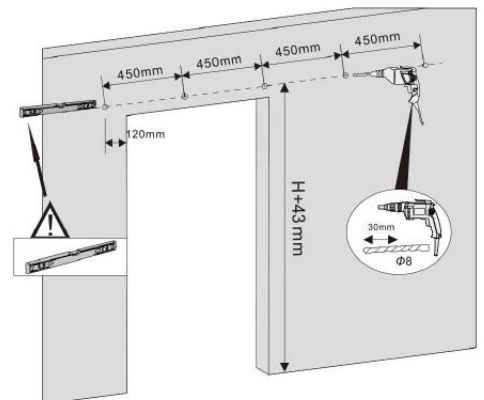
SLIDING BARN DOOR ROLLER Wooden Door





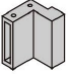



UK-070BR

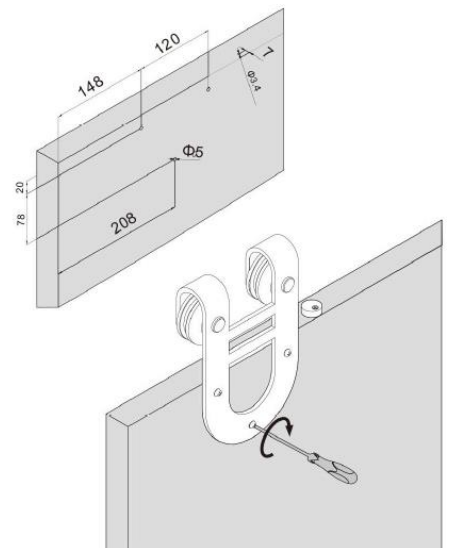
FEATURES

- For Single or Double doors
- Max. Door Weight: 200kg
- Door Thickness: 30- 50mm

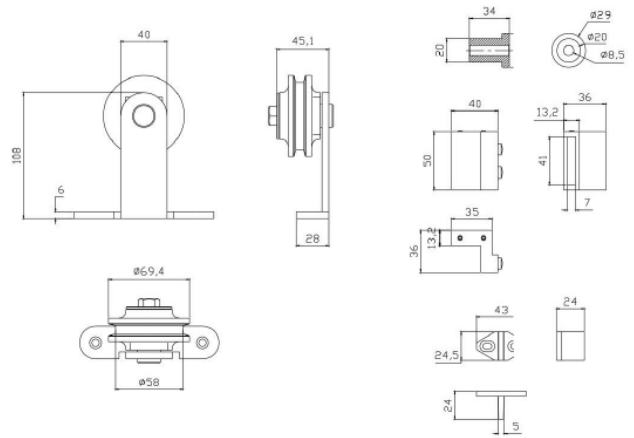


STANDARD CONFIGURATION

	Sliding Track	1 pc
	Hanging Roller	2 pcs
	Door Stop	2 pcs
	Mounting Bracket	5 pcs
	Anti-jump fitting	2 pcs
	Bottom Guide	1 pc
	Screws	1 set



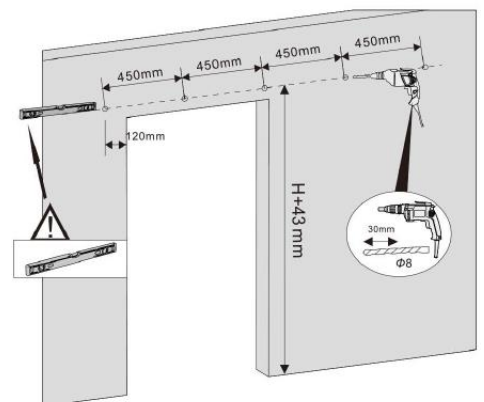
SLIDING BARN DOOR ROLLER Wooden Door




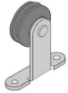




UK-078BR

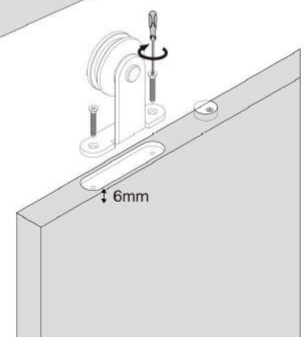
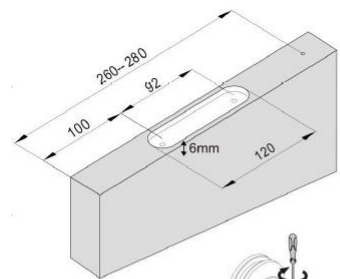
FEATURES

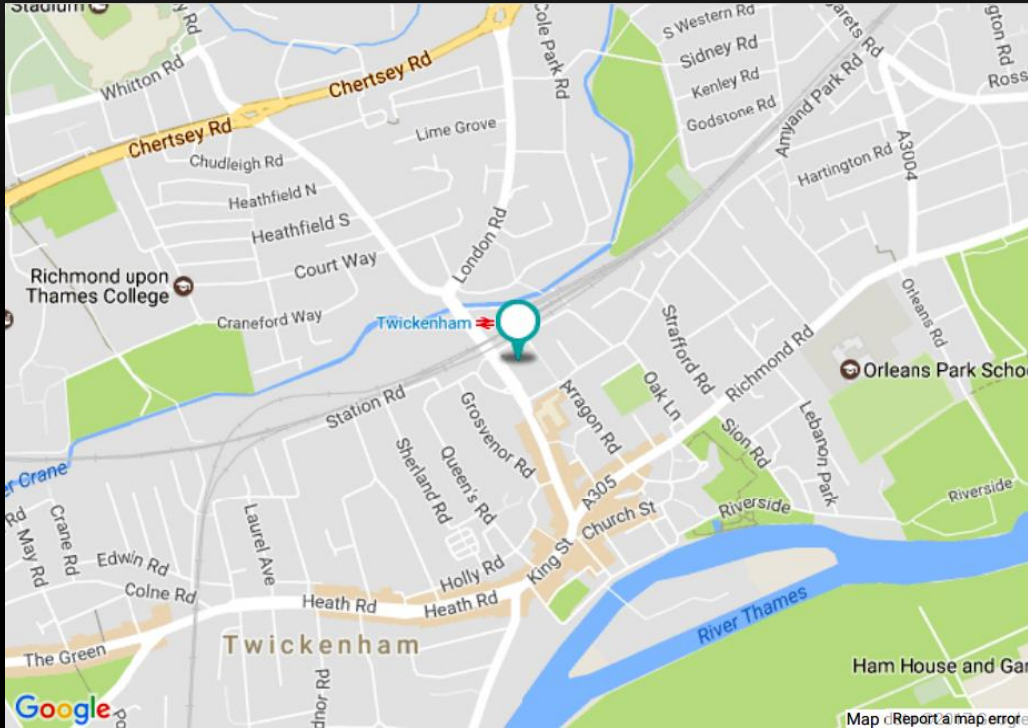
- For Single or Double doors
- Max. Door Weight: 150kg
- Door Thickness: 30- 50mm



STANDARD CONFIGURATION

	Sliding Track	1 pc
	Hanging Roller	2 pcs
	Door Stop	2 pcs
	Mounting Bracket	5 pcs
	Anti-jump fitting	2 pcs
	Bottom Guide	1 pc
	Screws	1 set





Address: Regal House, 70 London
Road, Twickenham, Greater London,
TW1 3QS, United Kingdom
Website: www.ukscale.com
Tel: +44 0203 675 4561
Email: info@ukscale.com