

UK-S 203900



FEATURES

- Apply to doors with requirement of concealed installation such as: Star Hotel executive, etc.: 44mm for wooden door. 40mm for hollow metal door.
- Cast aluminum alloy body shell.
- Imported O seal ring & hydraulic oil, needle bearing
- Regular arm & top jamb application.
- Available finish: Silver, Bronze, Golden, White, others upon request.

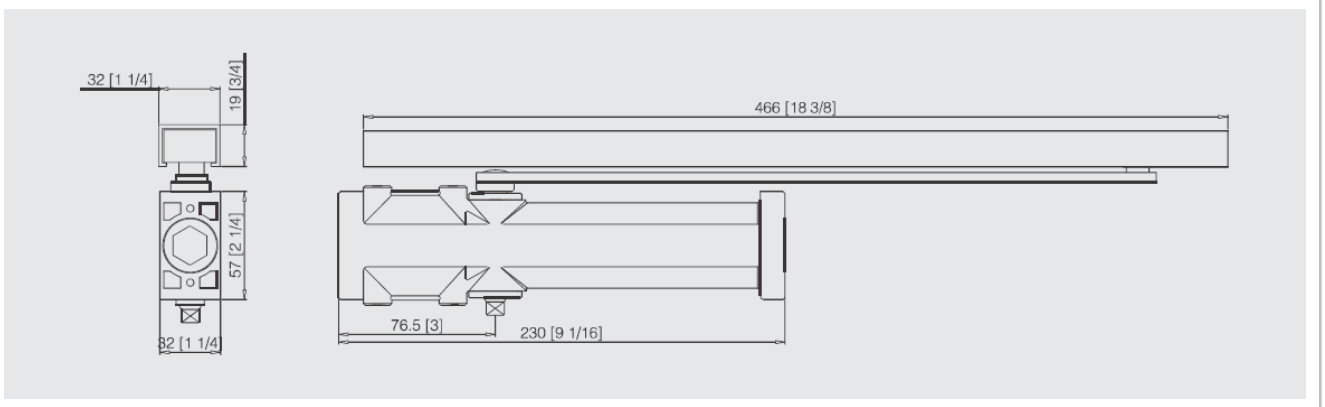
PRODUCT CLASSIFICATION

3	8	3	1	1	4
---	---	---	---	---	---

Models & Specifications

Model	Max. Door Width (mm)	Door Weight (kgs)	Spring Power	Max. Opening Angle
UK-S 203900	950	40-65	Fixed Size 3	120°

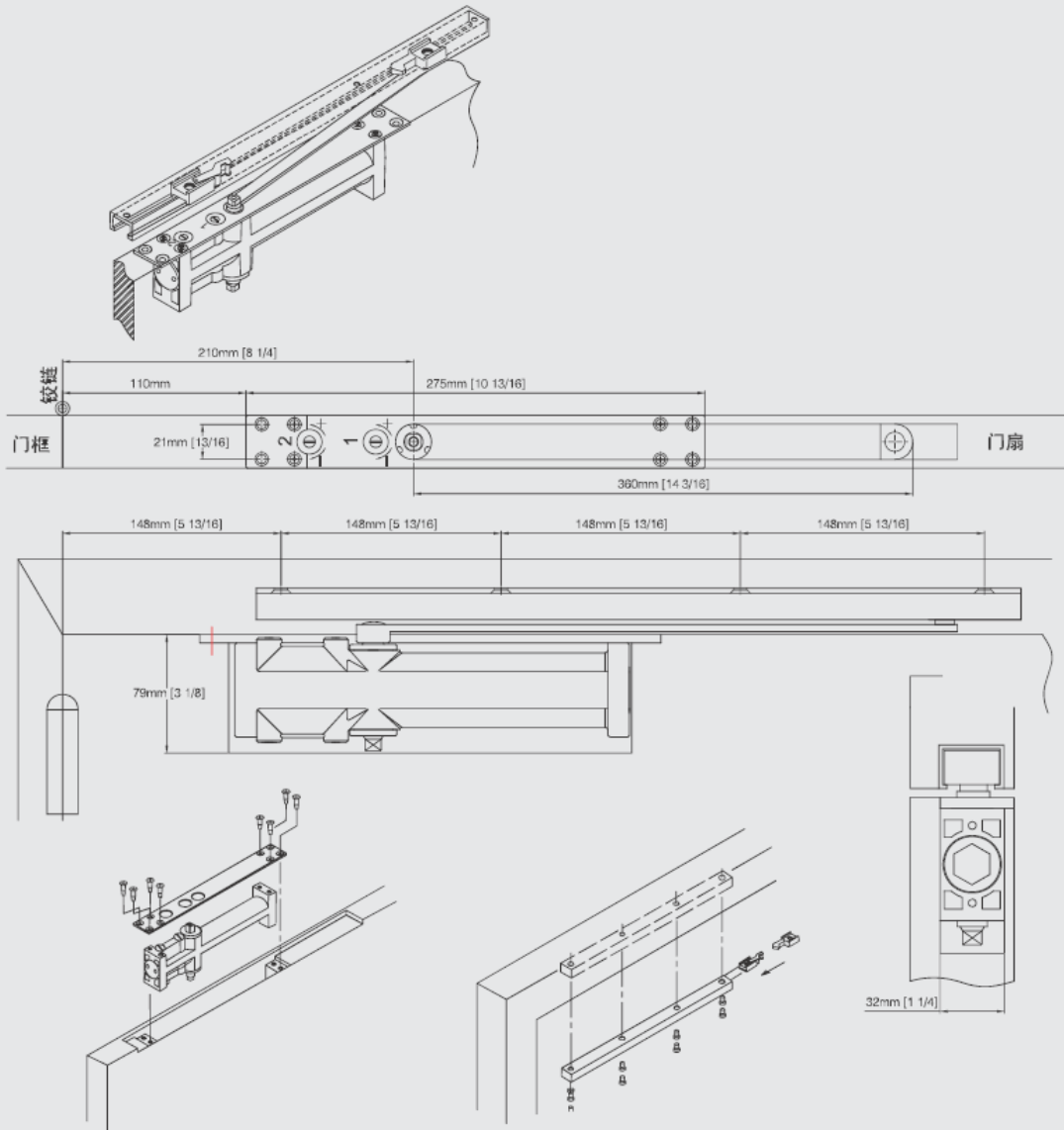
Technical Dimensions Unit (mm/inch)



UK-S 203900



Installations Dimensions



Special Cautions

1. Please read the installation instructions carefully before beginning the installation.
2. Door can be closed automatically under the door closer pressure and no extra force need to be exerted, or it can cause the failure of the product.
3. In the case of unusually high or heavy doors, windy or draughty conditions, or special installations, a large power size of door closer should be used.
4. DO NOT adjust the valve out of closer body, or it may cause leaking & final failure of the product.