

## UK-S 600060

Cam Action Concealed Door Closer



### FEATURES

- Global popular style, Cam Action Mechanical, concealed door closer, double swing door.
- Suitable for all kinds of fire rated door, for wooden door the min. thickness is 44mm, while for Hollow Metal Door the min. thickness is 40mm.
- Meet the standard of European CE, North American UL & ANSI.
- Aluminum extrusion body, imported O-seal ring, full needle bearing, anti-freeze and rated hydraulic oil.
- Available finish: Silver, Bronze, Golden, White, others upon request.

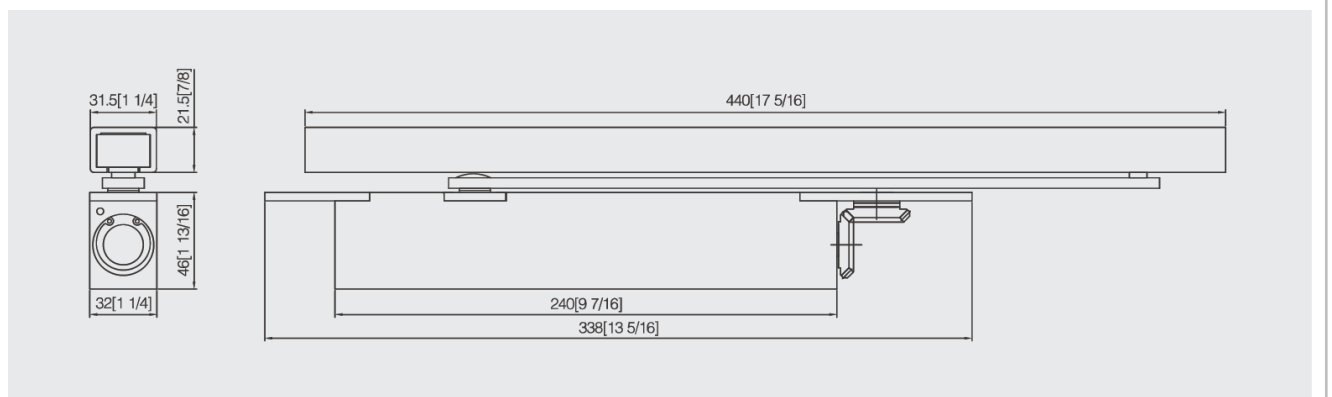
### PRODUCT CLASSIFICATION

3	8	2/4	1	1	4
---	---	-----	---	---	---

### Models & Specifications

Model	Max. Door Width (mm)	Door Weight (kgs)	Spring Power	Max. Opening Angle
UK-S 600060	1100	25-85	Adjusting Size 2-4	Dual Swing 120°

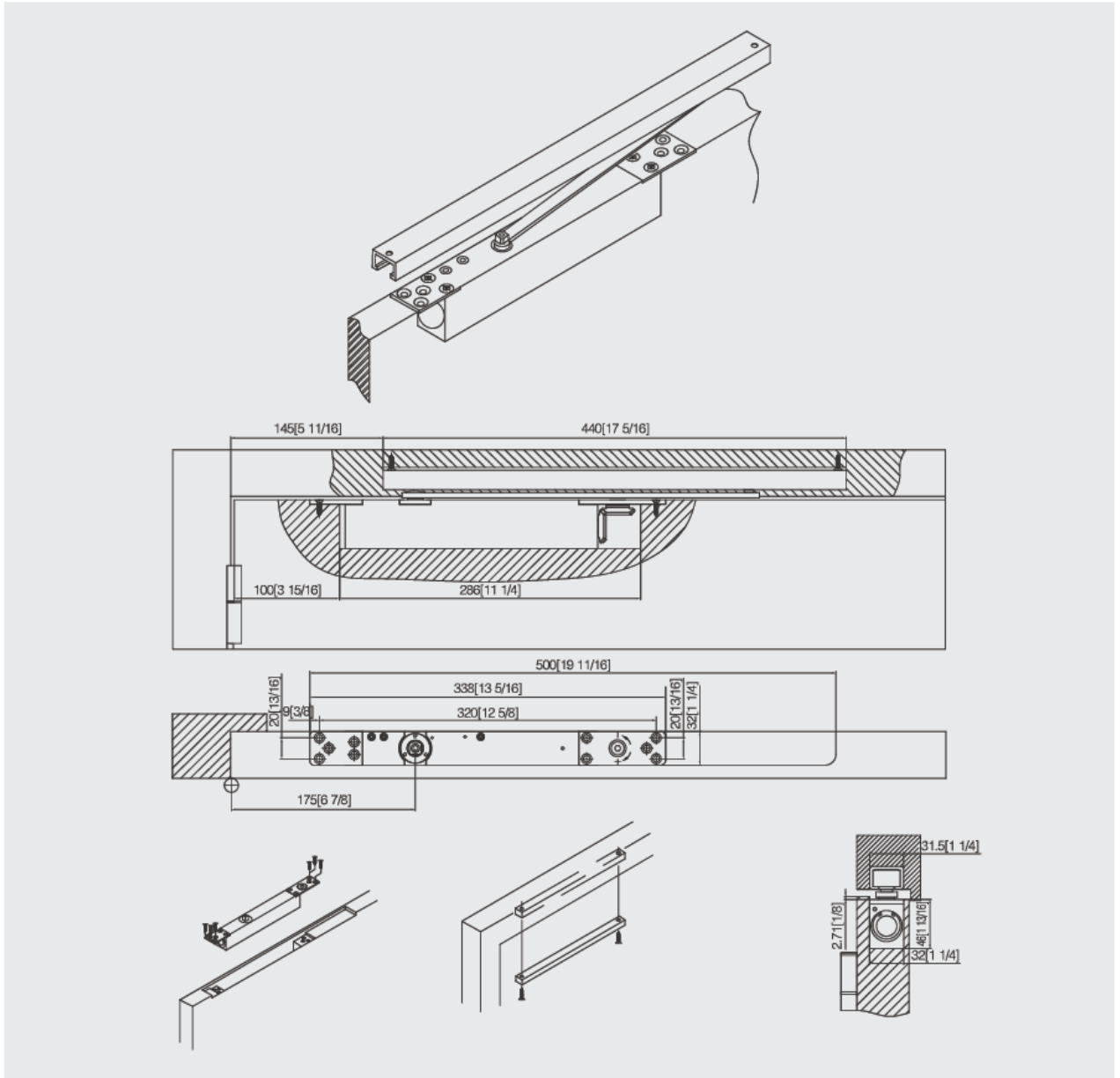
### Technical Dimensions Unit (mm/inch)



## UK-S 600060



### Installations Dimensions



#### Special Cautions

1. Please read the installation instructions carefully before beginning the installation.
2. Door can be closed automatically under the door closer pressure and no extra force need to be exerted, or it can cause the failure of the product.
3. In the case of unusually high or heavy doors, windy or draughty conditions, or special installations, a large power size of door closer should be used.
4. DO NOT adjust the valve out of closer body, or it may cause leaking & final failure of the product.