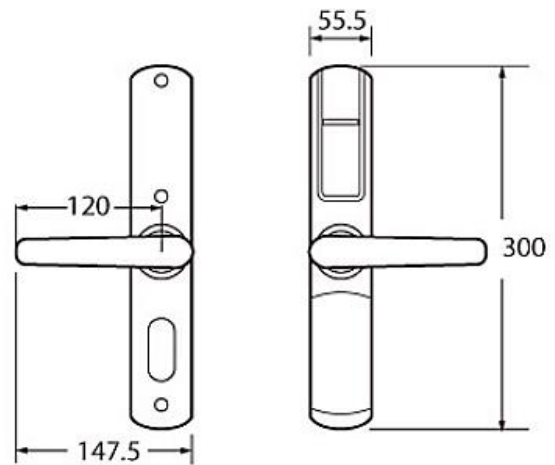


## ADVANCED HOTEL LOCKS

### 5500 Mortise –Stainless Steel



Back View

Front View

All dimensions are in mm

#### FEATURES

- Lifting up handle to double lock
- Card Type: Mifare Card
- Working Voltage: DC 6V (4 x AA battery)
- Static Consumption: <math><120\mu\text{A}</math>
- Dynamic Consumption: 200mA
- Battery Life: Approximately 15,000 times of normal operation
- Low Voltage Alarm: Three “beep” sounds alarming while the voltage is lower than 4.5V.
- Unlocking Record: Audit trail records the latest 828 lock openings including mechanical override.
- Mechanical key: Override ensures prompt emergency opening when electric key is invalid while the lock is in the status of double-lock.
- Applicable for door thickness: 38 – 70mm