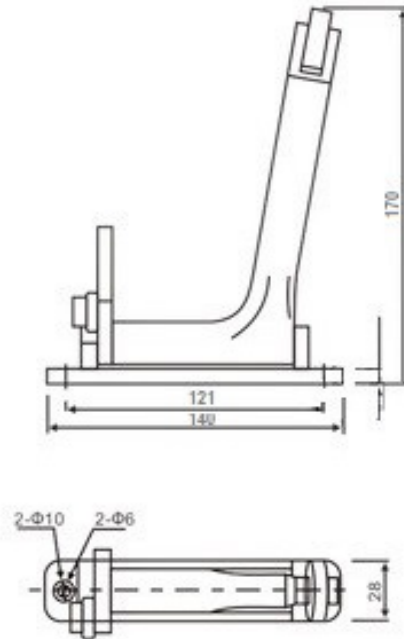


## DOOR COORDINATOR UK-00402DC



### FEATURES

- Size: 140 x 170 mm
- Material: Casting Stainless Steel Grade 304 body and arm, nylon roller
- Available Finishes: Satin Stainless Steel as standard, other finishes are available.
- Range of Application: Wooden Door, Metal Door, Swing Door, Furniture & Cabinet Door.

### INSTALLATION STEPS

- Tools Preparation: Portable electric drill , Ø3mm & Ø4mm drill bits, 2.5mm Allen key & Phillips screwdriver.
- Place the coordinator on the side of the jamb, mark the center line and the hole, drill the holes.
- Install the body and tighten the screws.
- Turn the screw on the back of the body to make the nylon roller running on the strike.

