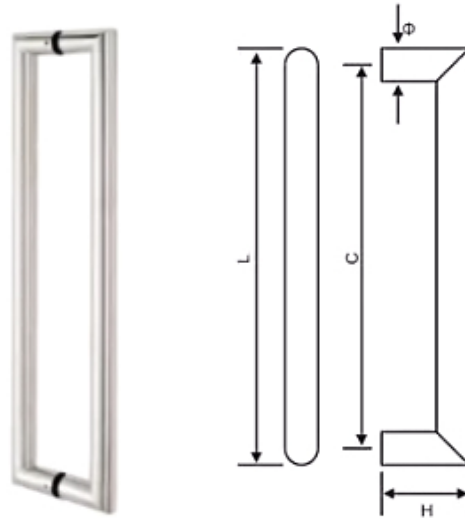


# PULL HANDLE STAINLESS STEEL



**UK-00702**

## Mitred Pull Handle

Art No.:	Ø	C	L	H
A	22	200	222	65
B	22	250	272	65
C	25	300	325	80
D	25	450	475	80
E	25	600	625	80
F	30	600	630	80
G	30	800	830	80
H	32	1000	1032	80

### FEATURES

- Material: Stainless Steel 304 / 316
- Back to back fixing, Bolt through fixing
- Thickness: 1.0mm, 1.2mm, 1.5mm
- Finish: SSS, PSS, PVD, AB, AC
- For Glass Door, Timber Door, Metal Door