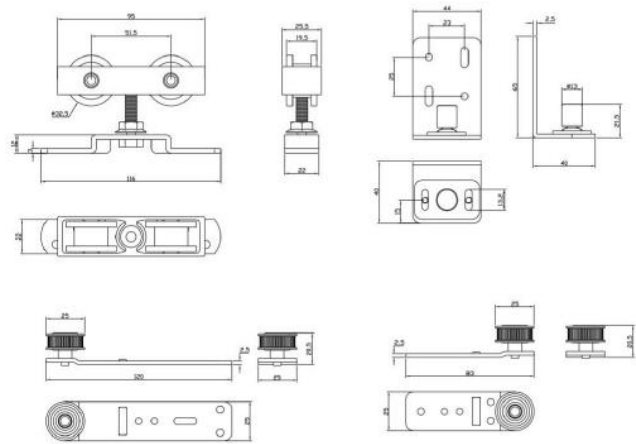
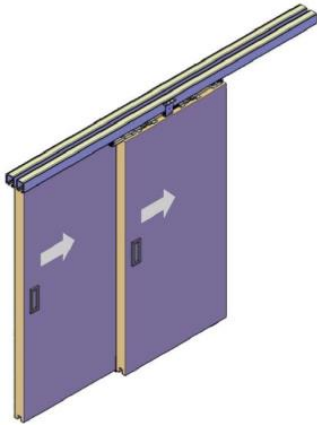


SYMMETRICAL SLIDING DOOR ROLLER Wooden Door



UK-075SSR

FEATURES

- Synchronized Syntropy sliding system for double doors
- Height Adjustment: 3mm
- Max. Door Weight: 80kg
- Door Thickness: 30 - 45mm
- Door Width: 500 – 1200mm

STANDARD CONFIGURATION

| | | |
|--|-------------------------|-------|
| | Hanging Roller | 4 pcs |
| | Bracket | 4 pcs |
| | Door Stop | 4 pcs |
| | Fixed Seat | 1 pc |
| | Long Bracket with wheel | 1 pc |
| | Long Bracket with wheel | 1 pc |
| | Connector for belt | 1 pc |
| | Fixing device for belt | 1 pc |
| | Bottom guide | 1 pc |
| | Belt 3 meters | 1 pc |
| | Bottom guide | 1 pc |
| | Screws | 1 set |

