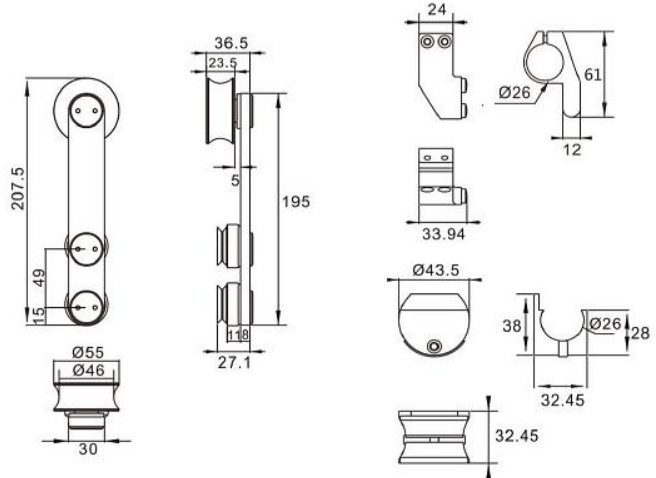


SLIDING DOOR ROLLER Glass Door



HL-019

FEATURES

- For Single or Double Leaf Door
- Height Adjustment: 5mm
- Max. Door Weight: 80kg
- For Glass Thickness: 8, 10, 12mm

MATERIALS AND FINISHES

- Sliding Track: Stainless Steel, SS
- Hanging Roller: Stainless Steel, SS

STANDARD CONFIGURATION

	Sliding Track	1 pc
	Hanging Roller	2 pcs
	Pipe Clamp	4 pcs
	Door Stop	2 pcs
	Bottom Guide	1 pc
	Handle	1 pc
	Screws	1 set

