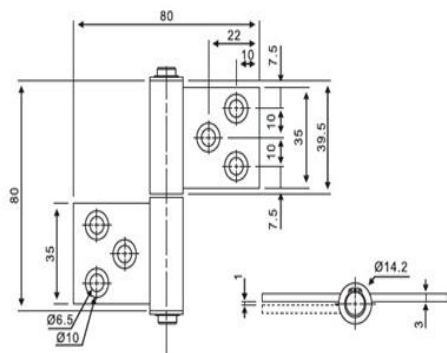


STAINLESS STEEL HINGE

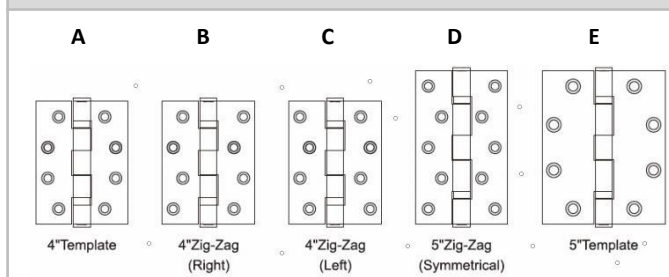


Stainless Steel Flag Hinge

| |
|----------------------|
| Dimension(H x W x T) |
| 80 x 80 x 3.0mm |

| FEATURES | | |
|-----------------------------|--|---|
| Model | UK-S 029 | |
| Usage | Wooden Door, Metal Door, Steel Door, Interior Door, Outer Door | |
| Material | Stainless Steel 304 / 316 / 201 | |
| Finish | SSS, PSS, PVD, PB, AB, AC | |
| Intended uses: | On non-fire compartmentation doors fitted with door closing devices (to enable such doors to close reliably and thus achieve self-closing) | |
| Dangerous substances | Note 1 of ZA 1 | No dangerous substances declared for this Product/intended use. |

HOLE OPTIONS



PIN OPTIONS

