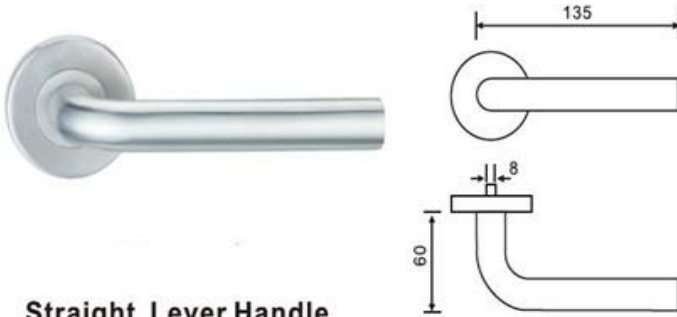


STAINLESS STEEL



Straight Lever Handle
UK-S-LH.882

FEATURES	
<ul style="list-style-type: none"> Material: Stainless Steel 304 / 316 	<ul style="list-style-type: none"> Concealed fixings
<ul style="list-style-type: none"> Diameter: 16 / 19 / 20 / 22mm 	<ul style="list-style-type: none"> Spring Assisted Chassis
<ul style="list-style-type: none"> Spindle: 8x8 / 7x7 6x6mm 	<ul style="list-style-type: none"> Same lever design with multiple escutcheons and functions to suit different applications
<ul style="list-style-type: none"> Finish: SSS, PSS, PVD, AB, AC 	
<ul style="list-style-type: none"> Applicable for Door Thickness: 35 – 55mm 	

OPTIONAL VERSION



DDES001



DDES004



DDES005



DDES006



DDES009



DDES010