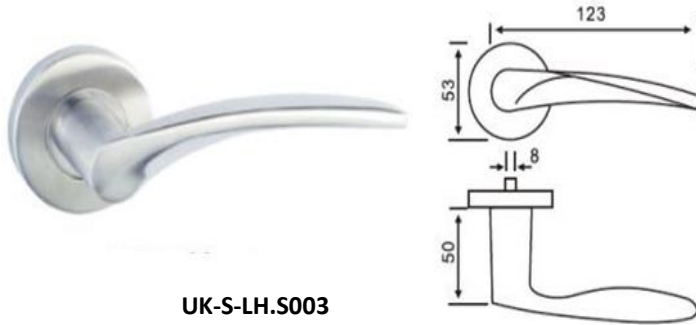


STAINLESS STEEL



FEATURES	
<ul style="list-style-type: none"> Material: Stainless Steel 304 / 316 	<ul style="list-style-type: none"> Applicable for Door Thickness: 35 – 55mm
<ul style="list-style-type: none"> Rosette Type: Clip on / Thread Type 	<ul style="list-style-type: none"> Concealed fixings
<ul style="list-style-type: none"> Spindle: 8x8 / 7x7 6x6mm 	<ul style="list-style-type: none"> Spring Assisted Chassis
<ul style="list-style-type: none"> Finish: SSS, PSS, PVD, AB, AC 	<ul style="list-style-type: none"> Same lever design with multiple escutcheons and functions to suit different applications

OPTIONAL VERSION



DDES001



DDES004



DDES005

DDES008
Thread Type

DDES009

DDES011
Thread Type