



HARDWARE CATALOG



INTRODUCTON

UK SCALE is dedicated to helping bring your personal style to life. Door hardware is more than a way to open, close, and secure a space. To us, it is an integral part of A room's design theme. It is an extension of your personal style and we want it to do more than blend in.

UK Scale has experience creating door hardware. We keep our finger on the pulse of the market and regularly release new designs. Our style is current, but we never forget about the classics. From traditional to contemporary, transitional, or rustic, we have hardware to match every style.

In this catalog, you will find examples of UK Scale extensive range of products. Everything you see can be customized with numerous options for hinges, handles, locks, closer and finishes.





TABLE OF CONTENTS

HINGE

DOOR CLOSER

DOOR LOCK

RFID LOCK

EXIT DEVICE

DOOR HANDLE

DOOR ACCESSORIES

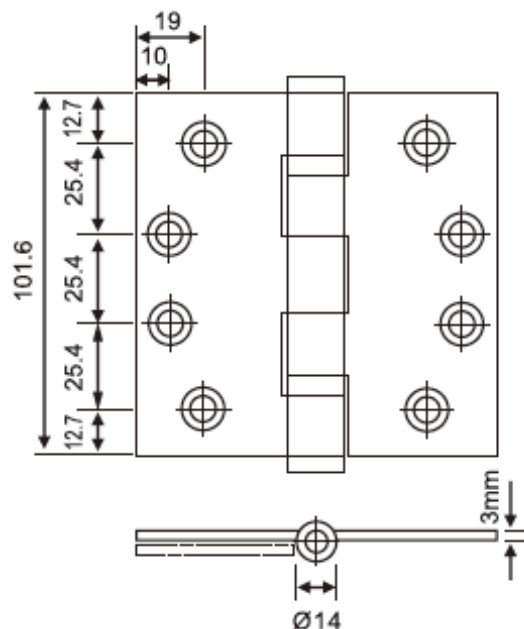
SLIDING DOOR HARDWARE



HINGES

STAINLESS STEEL HINGE

UK-S 8000 SERIES



PRODUCT CLASSIFICATION

4 7 6 1 1 4 0 13

Model No.	Size (L*W*T inch*inch*mm)	Type	Finishes	Material
UK-S 8101 SS201	4*3*3	2BB Butt Hinge	Satin	SUS201
UK-S 8201 SS201	4*3.5*3	2BB Butt Hinge	Satin	SUS201
UK-S 8301 SS201	4*4*3	2BB Butt Hinge	Satin	SUS201
UK-S 8401 SS304	4*3*3	2BB Butt Hinge	Satin	SUS304
UK-S 8501 SS304	4*3.5*3	2BB Butt Hinge	Satin	SUS304
UK-S 8601 SS304	4*4*3	2BB Butt Hinge	Satin	SUS304
UK-S 8701 SS316	4*3*3	2BB Butt Hinge	Satin	SUS316
UK-S 8801 SS316	4*3.5*.3	2BB Butt Hinge	Satin	SUS316
UK-S 8901 SS316	4*4*3	2BB Butt Hinge	Satin	SUS316

STAINLESS STEEL HINGE

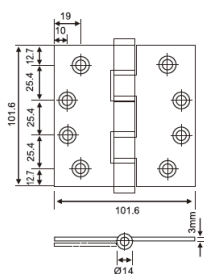
UK-S 8000 SERIES

Intended uses:	On fire/smoke compartmentation doors fitted with door closing devices (to enable such doors to close reliably and thus achieve self-closing in the event of fire)	
Requirement / Characteristic	Requirement clauses in this European Standard	Results
• Self Closing	5.1 Initial friction torque	Less than 4,0 Nm with door mass 120kg
	5.2 Static load - Load deformation	Pass with displacement under load: - Lateral < 4 mm; - Vertical < 2 mm And a residual displacement after unloading: - Lateral < 0,2 mm; - Vertical < 0,3 mm
	5.2 Static load - Overload	Pass
	5.3 Shear strength	Pass No breakage and cracking Lateral deformation under loading < 3 mm Additional lateral and vertical displacement after unloading < 1 mm
	5.6 Hinges for use on fire-resistant and/or smoke control doors	Grade 1: Suitable for use on fire/smoke resistant door assemblies
• Durability	5.4 Durability	Pass (200,000 cycles) Maximum wear: - Lateral < 0,2 mm - Vertical < 1 mm Maximum frictional torque: - After 20 cycles and completion of 200,000 cycles, less than 4,0 Nm.
	5.5 Corrosion resistance	Grade 4, Neutral Salt Spray (NSS) – 240 hours
• Dangerous substances	Note 1 of ZA 1	No dangerous substances declared for this product/intended use

STAINLESS STEEL HINGE

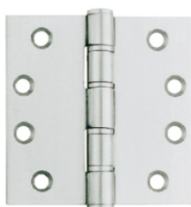


UK-S 002

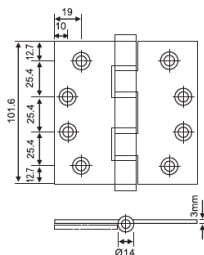


Stainless Steel 4 Ball Bearing Hinge

Dimension(H x W x T)	Dimension(H x W x T)	Dimension(H x W x T)
4.0" x 3.0" x 2.0mm	5.0" x 3.0" x 3.0mm	4.0" x 3.0" x 4.0mm
4.0" x 4.0" x 2.0mm	5.0" x 3.5" x 3.0mm	5.0" x 5.0" x 4.0mm
4.0" x 3.5" x 2.5mm	5.0" x 4.0" x 3.0mm	6.0" x 4.0" x 4.0mm
4.0" x 4.0" x 2.5mm	5.0" x 5.0" x 3.0mm	4.0" x 4.0" x 4.5mm
5.0" x 3.0" x 2.5mm	6.0" x 4.0" x 3.0mm	4.5" x 4.0" x 4.5mm
4.0" x 3.0" x 3.0mm	4.5" x 4.0" x 3.5mm	4.5" x 4.5" x 4.5mm
4.0" x 3.5" x 3.0mm	4.5" x 4.5" x 3.5mm	5.0" x 4.0" x 4.5mm
4.5" x 4.5" x 3.0mm	5.0" x 5.0" x 3.5mm	5.0" x 4.5" x 4.5mm

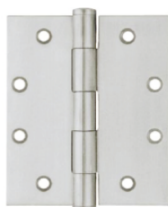


UK-S 003

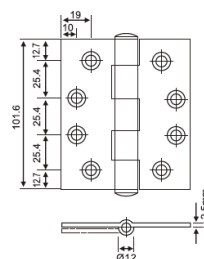


Stainless Steel Single Washer Hinge

Dimension(H x W x T)	Dimension(H x W x T)
4.0" x 3.0" x 2.0mm	3.5" x 3.5" x 3.0mm
4.0" x 4.0" x 2.0mm	4.0" x 3.0" x 3.0mm
3.5" x 3.5" x 2.5mm	4.0" x 4.0" x 3.0mm
4.0" x 3.0" x 2.5mm	4.5" x 4.5" x 3.0mm
4.0" x 4.5" x 2.5mm	5.0" x 3.0" x 3.0mm
5.0" x 3.0" x 2.5mm	5.0" x 3.5" x 3.0mm
5.0" x 3.5" x 2.5mm	5.0" x 4.0" x 3.0mm



UK-S 004

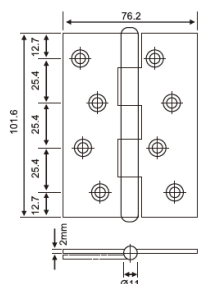


Stainless Steel Plain Joint Hinge

Dimension(H x W x T)	Dimension(H x W x T)	Dimension(H x W x T)
4.0" x 3.0" x 2.0mm	4.5" x 4.0" x 3.0mm	5.0" x 5.0" x 3.5mm
4.0" x 4.0" x 2.0mm	5.0" x 3.0" x 3.0mm	6.0" x 4.0" x 3.5mm
3.5" x 3.5" x 2.5mm	5.0" x 3.5" x 3.0mm	6.0" x 5.0" x 3.5mm
4.0" x 3.0" x 2.5mm	5.0" x 4.0" x 3.0mm	4.0" x 3.0" x 4.0mm
4.0" x 4.0" x 2.5mm	5.0" x 5.0" x 3.0mm	4.0" x 3.5" x 4.0mm
5.0" x 3.0" x 3.0mm	6.0" x 3.5" x 3.0mm	5.0" x 3.5" x 4.0mm
5.0" x 3.5" x 2.5mm	6.0" x 4.0" x 3.0mm	5.0" x 4.0" x 4.0mm
3.5" x 3.5" x 3.0mm	6.0" x 5.0" x 3.0mm	6.0" x 4.0" x 4.0mm
4.0" x 3.0" x 3.0mm	4.0" x 3.0" x 3.5mm	6.0" x 5.0" x 4.0mm
4.5" x 4.0" x 3.0mm	4.0" x 4.0" x 3.5mm	



UK-S 005



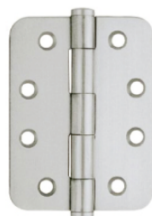
Stainless Steel Rivet Tip Hinge

Dimension(H x W x T)
4.0" x 3.0" x 2.0mm
4.0" x 4.0" x 2.0mm

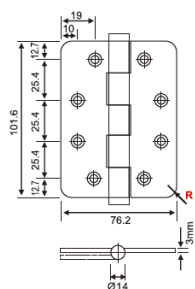
FEATURES

Usage	Wooden Door, Metal Door, Steel Door, Interior Door, Outer Door
Material	Stainless Steel 304 / 316 / 201
Finish	SSS, PSS, PVD, PB, AB, AC

STAINLESS STEEL HINGE



UK-S 006

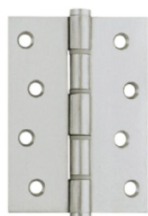


Stainless Steel Round Corner Hinge

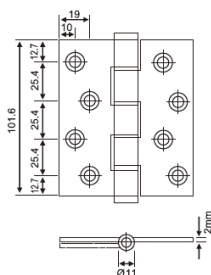
Dimension(H x W x T)
4.0" x 3.0" x 2.0mm
4.0" x 4.0" x 2.0mm
3.5" x 3.5" x 2.5mm
4.0" x 3.0" x 2.5mm
4.0" x 4.0" x 2.5mm
5.0" x 3.0" x 2.5mm
5.0" x 3.5" x 2.5mm

Dimension(H x W x T)
3.5" x 3.5" x 3.0mm
4.0" x 3.0" x 3.0mm
4.0" x 4.0" x 3.0mm
4.5" x 4.5" x 3.0mm
5.0" x 3.0" x 3.0mm
5.0" x 3.5" x 3.0mm
5.0" x 4.0" x 3.0mm

R=1/4", 3/8"



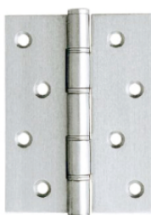
UK-S 007



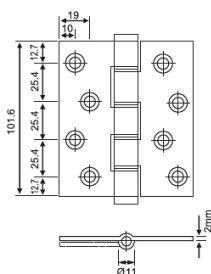
Stainless Steel Nylon Washer Hinge

Dimension(H x W x T)
4.0" x 3.0" x 2.0mm
4.0" x 4.0" x 2.0mm
3.5" x 3.5" x 2.5mm
4.0" x 3.0" x 2.5mm
4.0" x 4.0" x 2.5mm

Dimension(H x W x T)
5.0" x 3.0" x 2.5mm
5.0" x 3.5" x 2.5mm
3.5" x 3.5" x 3.0mm
4.0" x 3.0" x 3.0mm
4.0" x 4.0" x 3.0mm



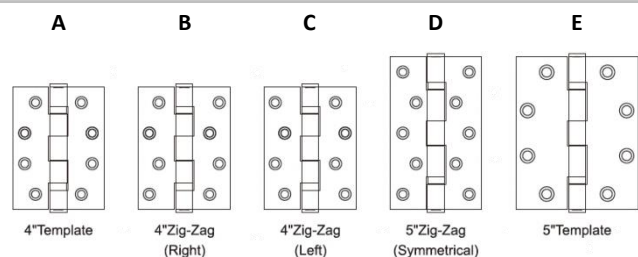
UK-S 008



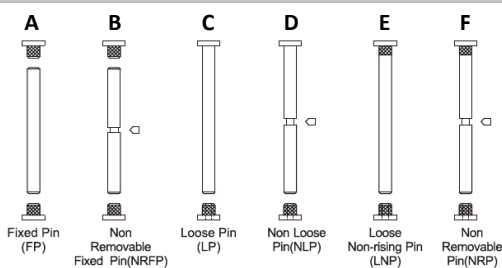
Stainless Steel Double Washers Hinge

Dimension(H x W x T)
4.0" x 3.0" x 2.0mm
4.0" x 4.0" x 2.0mm
4.0" x 3.0" x 2.5mm
4.0" x 4.0" x 2.5mm

HOLE OPTIONS



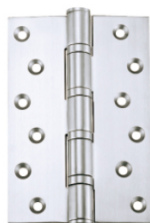
PIN OPTIONS



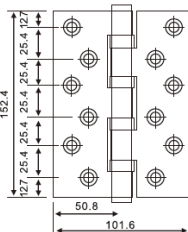
FEATURES

Usage	Wooden Door, Metal Door, Steel Door, Interior Door, Outer Door
Material	Stainless Steel 304 / 316 / 201
Finish	SSS, PSS, PVD, PB, AB, AC

STAINLESS STEEL HINGE

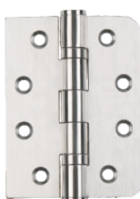


UK-S 009

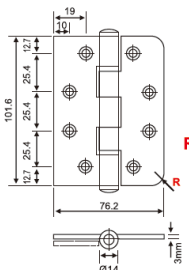


Stainless Steel Heavy Duty Hinge

Dimension(H x W x T)
6.0" x 3.0" x 3.0mm
6.0" x 3.5" x 3.0mm
6.0" x 4.0" x 3.0mm
6.0" x 4.0" x 4.0mm
6.0" x 3.5" x 5.0mm
6.0" x 4.0" x 5.0mm



UK-S 010



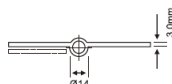
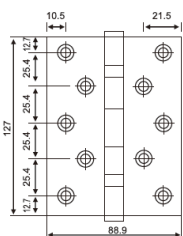
S / Steel One Round Corner One Square Corner Hinge

R=1/4", 3/8"

Dimension(H x W x T)	Dimension(H x W x T)	Dimension(H x W x T)
3.0" x 2.0" x 2.0mm	5.0" x 3.0" x 2.5mm	4.5" x 4.5" x 3.5mm
3.0" x 2.5" x 2.0mm	4.0" x 3.0" x 3.0mm	5.0" x 5.0" x 3.5mm
4.0" x 3.0" x 2.0mm	4.0" x 4.0" x 3.0mm	4.0" x 3.5" x 4.0mm
3.0" x 3.0" x 2.0mm	4.5" x 4.0" x 3.0mm	4.5" x 4.5" x 4.0mm
4.0" x 3.5" x 2.0mm	4.5" x 4.5" x 3.0mm	5.0" x 3.0" x 4.0mm
4.0" x 4.0" x 2.0mm	5.0" x 3.5" x 3.0mm	5.0" x 4.0" x 4.0mm
3.5" x 3.0" x 2.5mm	5.0" x 4.0" x 3.0mm	5.0" x 5.0" x 4.0mm
3.5" x 3.5" x 2.5mm	6.0" x 4.0" x 3.0mm	6.0" x 4.0" x 4.0mm
4.0" x 3.0" x 2.5mm	6.0" x 5.0" x 3.0mm	5.0" x 4.0" x 4.5mm
4.0" x 4.0" x 2.5mm	4.5" x 4.0" x 3.5mm	5.0" x 4.5" x 4.5mm

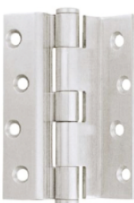


UK-S 011-B

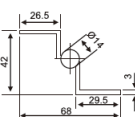
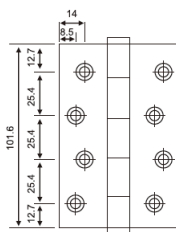


Stainless Steel Ball Bearing Hinge

Dimension(H x W x T)
5.0" x 3.0" x 3.0mm
5.0" x 3.5" x 3.0mm
5.0" x 4.0" x 3.0mm
5.0" x 5.0" x 3.0mm



UK-S 012

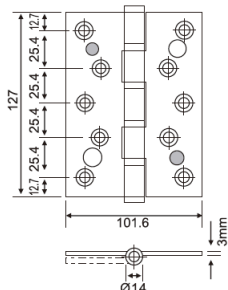


Stainless Steel Crank Hinge

Dimension(H x W x T)
4.0" x 3.0" x 3.0mm
4.0" x 3.5" x 3.0mm



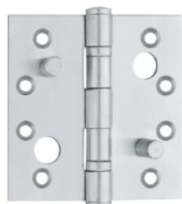
UK-S 013



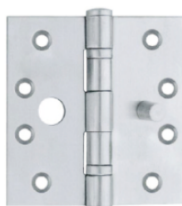
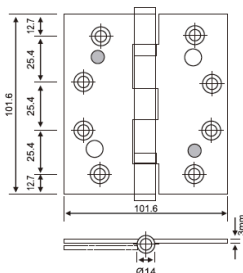
Stainless Steel Double Security Hinge

Dimension(H x W x T)	Dimension(H x W x T)	Dimension(H x W x T)
3.0" x 2.0" x 2.0mm	5.0" x 3.0" x 2.5mm	4.5" x 4.5" x 3.5mm
3.0" x 2.5" x 2.0mm	4.0" x 3.0" x 3.0mm	5.0" x 5.0" x 3.5mm
4.0" x 3.0" x 2.0mm	4.0" x 3.5" x 3.0mm	4.0" x 3.0" x 4.0mm
3.0" x 3.0" x 2.0mm	4.5" x 4.5" x 3.0mm	5.0" x 5.0" x 4.0mm
4.0" x 3.5" x 2.0mm	5.0" x 5.0" x 3.0mm	6.0" x 4.0" x 4.0mm
4.0" x 4.0" x 2.0mm	5.0" x 3.5" x 3.0mm	4.0" x 4.0" x 4.5mm
3.5" x 3.0" x 2.5mm	5.0" x 4.0" x 3.0mm	4.5" x 4.0" x 4.5mm
3.5" x 3.5" x 2.5mm	6.0" x 4.0" x 3.0mm	4.5" x 4.5" x 4.5mm
4.0" x 3.5" x 2.5mm	6.0" x 5.0" x 3.0mm	5.0" x 4.0" x 4.5mm
4.0" x 4.0" x 2.5mm	4.5" x 4.0" x 3.5mm	5.0" x 4.5" x 4.5mm

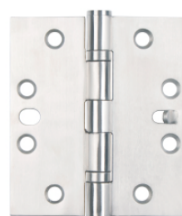
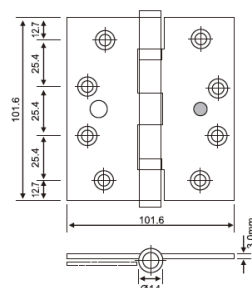
STAINLESS STEEL HINGE



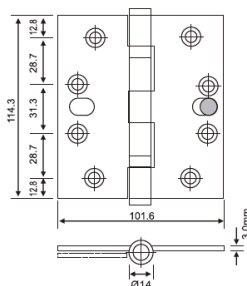
UK-S 014



UK-S 015



UK-S 015-B



Stainless Steel Double Security Hinge

- Double Ball Bearing, five knuckle hinge
- Prevents removal of door leaf if hinge knuckle is attacked
- Predominately used on perimeter doors where the hinge knuckle is located externally

Dimension(H x W x T)	Dimension(H x W x T)
4.0" x 3.0" x 2.5mm	4.5" x 4.0" x 3.0mm
4.0" x 3.0" x 3.0mm	4.5" x 4.5" x 3.0mm
4.0" x 3.5" x 3.0mm	4.5" x 4.0" x 3.4mm
4.0" x 4.0" x 3.0mm	4.5" x 4.5" x 3.4mm
5.0" x 3.5" x 3.0mm	

Stainless Steel Single Security Hinge

- Double Ball Bearing, five knuckle hinge
- Prevents removal of door leaf if hinge knuckle is attacked
- Predominately used on perimeter doors where the hinge knuckle is located externally

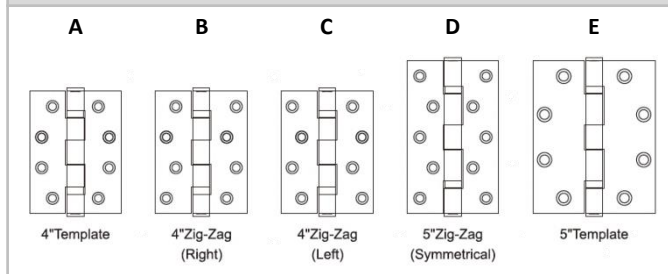
Dimension(H x W x T)	Dimension(H x W x T)
4.0" x 3.0" x 2.5mm	4.5" x 4.0" x 3.0mm
4.0" x 3.0" x 3.0mm	4.5" x 4.5" x 3.0mm
4.0" x 3.5" x 3.0mm	4.5" x 4.0" x 3.4mm
4.0" x 4.0" x 3.0mm	4.5" x 4.5" x 3.4mm

Stainless Steel Single Security Hinge

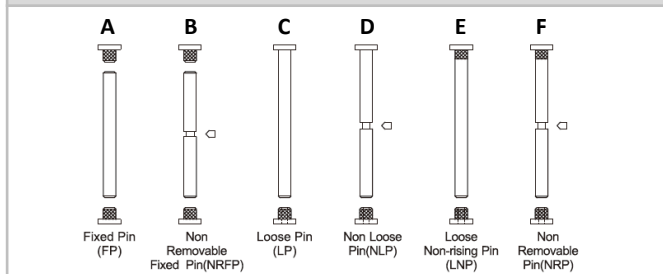
- Double Ball Bearing, five knuckle hinge
- Prevents removal of door leaf if hinge knuckle is attacked
- Predominately used on perimeter doors where the hinge knuckle is located externally

Dimension(H x W x T)	Dimension(H x W x T)
4.0" x 3.0" x 2.5mm	4.5" x 4.0" x 3.0mm
4.0" x 3.0" x 3.0mm	4.5" x 4.5" x 3.0mm
4.0" x 3.5" x 3.0mm	4.5" x 4.0" x 3.4mm
4.0" x 4.0" x 3.0mm	4.5" x 4.5" x 3.4mm

HOLE OPTIONS



PIN OPTIONS



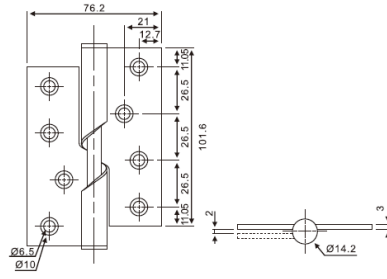
FEATURES

Usage	Wooden Door, Metal Door, Steel Door, Interior Door, Outer Door
Material	Stainless Steel 304 / 316 / 201
Finish	SSS, PSS, PVD, PB, AB, AC

STAINLESS STEEL HINGE



UK-S 016



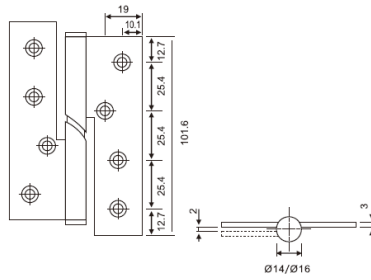
Stainless Steel Rising Hinge

- Standard weight, two knuckle hinges
- Close by itself
- For bathroom doors

Dimension(H x W x T)
4.0" x 3.0" x 3.0mm - $\Phi 14$
4.0" x 3.0" x 3.0mm - $\Phi 16$
4.0" x 3.0" x 2.0mm - $\Phi 11$

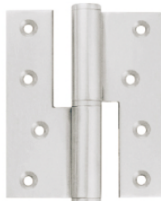


UK-S 017

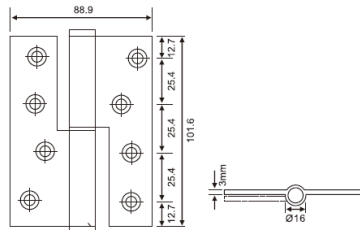


Stainless Steel Falling Hinge

Dimension(H x W x T)
4.0" x 3.0" x 3.0mm - $\Phi 14$
4.0" x 3.0" x 3.0mm - $\Phi 16$

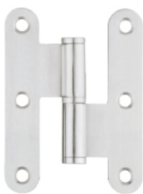


UK-S 018

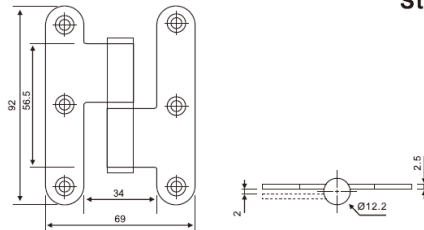


Stainless Steel Lift-off Hinge

Dimension(H x W x T)
90 x 70 x 2.5mm
4.0" x 3.5" x 3.0mm



UK-S 019

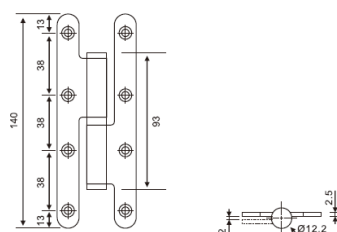


Stainless Steel Round Corner H Hinge

Dimension(H x W x T)
92 x 69 x 2.5mm



UK-S 019-B



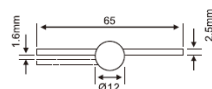
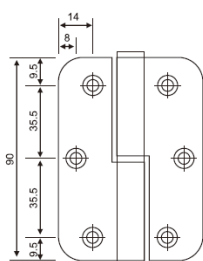
Stainless Steel Round Corner H Hinge

Dimension(H x W x T)
140 x 55 x 2.5mm

STAINLESS STEEL HINGE



UK-S 020

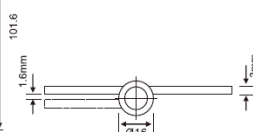
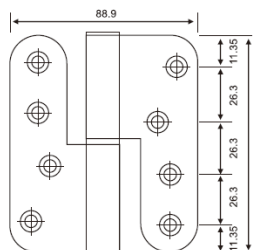


Stainless Steel Lift-off Hinge

Dimension(H x W x T)
80 x 80 x 2.5mm
90 x 65 x 2.5mm
89 x 63.5 x 3.0mm



UK-S 021

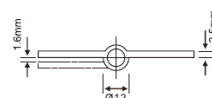
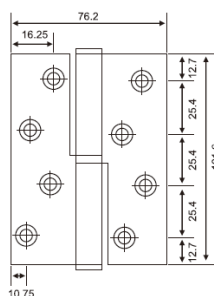


Stainless Steel Lift-off Hinge

Dimension(H x W x T)
4.0" x 3.5" x 3.0mm
90 x 65 x 2.5mm



UK-S 022



Stainless Steel Lift-off Hinge

Dimension(H x W x T)
90 x 65 x 2.5mm
102 x 76 x 2.5mm
76.2 x 64 x 2.0mm
102 x 76 x 2.0mm

HOLE OPTIONS

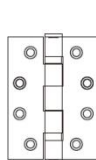
A

B

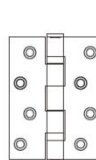
C

D

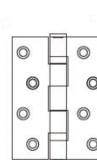
E



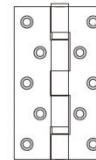
4"Template



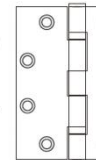
4"Zig-Zag (Right)



4"Zig-Zag (Left)



5"Zig-Zag (Symmetrical)



5"Template

PIN OPTIONS

A

B

C

D

E

F



Fixed Pin (FP)



Non-Removable Fixed Pin(NRFP)



Loose Pin (LP)



Non-Loose Pin(NLP)



Loose Non-rising Pin (LNP)



Non-Removable Pin(NRP)

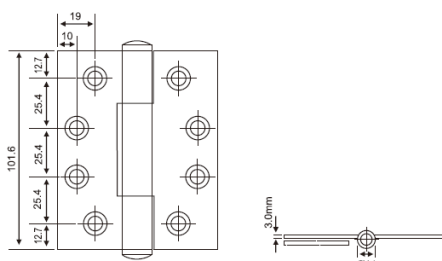
FEATURES

Usage	Wooden Door, Metal Door, Steel Door, Interior Door, Outer Door
Material	Stainless Steel 304 / 316 / 201
Finish	SSS, PSS, PVD, PB, AB, AC

STAINLESS STEEL HINGE



UK-S 023

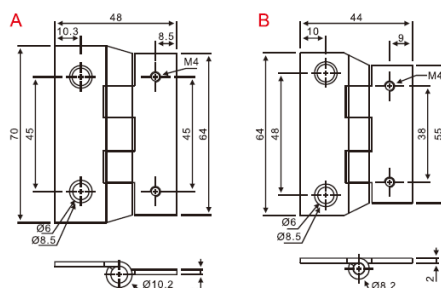


Stainless Steel 3 Knuckle Hinge

Dimension(H x W x T)
4.0" x 3.0" x 3.0mm
4.0" x 3.5" x 3.0mm
4.0" x 4.0" x 3.0mm



UK-S 025

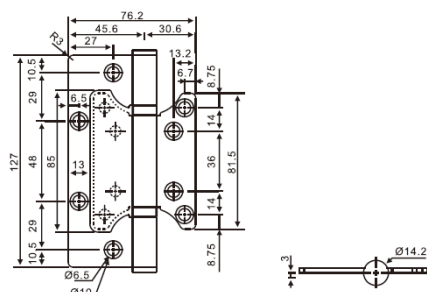


Stainless Steel Laboratory Hinge

Art. No.	Dimension(H x W x T)
DDSS025-A	70 x 48 x 2.0mm
DDSS025-B	64 x 44 x 2.0mm



UK-S 026

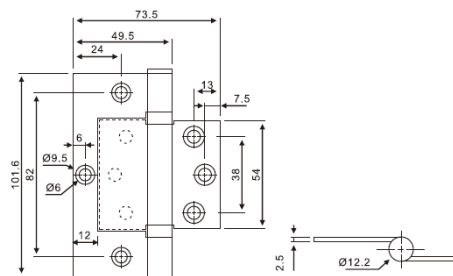


Stainless Steel Flush Hinge

Dimension(H x W x T)
4.0" x 3.0" x 2.5mm
4.0" x 3.0" x 3.0mm
5.0" x 3.0" x 3.0mm



UK-S 027

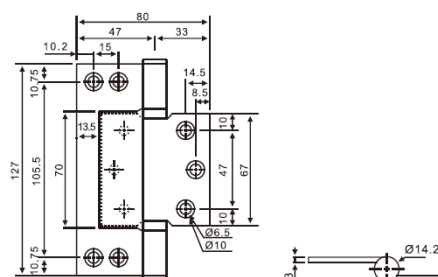


Stainless Steel Flush Hinge

Dimension(H x W x T)
101.6 x 73.5 x 2.5mm
100 x 75 x 2.5mm



UK-S 027-B



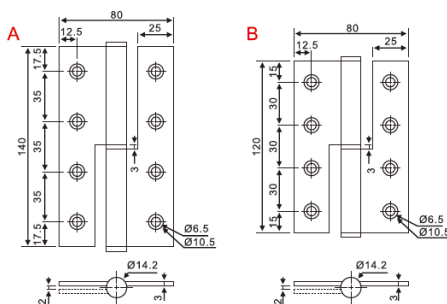
Stainless Steel Flush Hinge

Dimension(H x W x T)
127 x 80 x 3.0mm

STAINLESS STEEL HINGE



UK-S 028-B

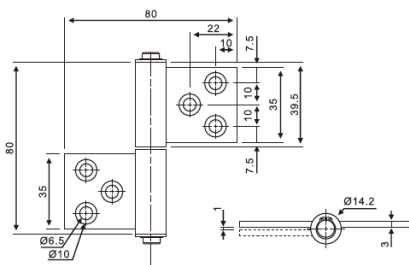


Stainless Steel Flush Hinge

Art. No.	Dimension(H x W x T)
DDSS028-A	140 x 80 x 3.0mm
DDSS028-B	120 x 80 x 3.0mm

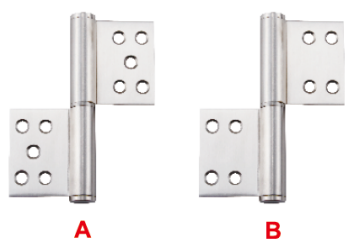


UK-S 029

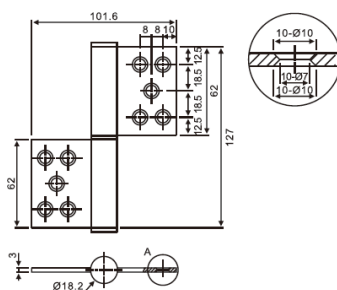


Stainless Steel Flag Hinge

Dimension(H x W x T)
80 x 80 x 3.0mm



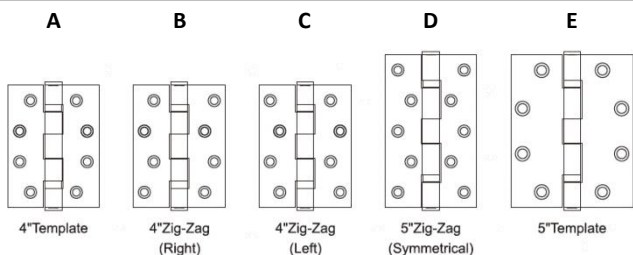
UK-S 030



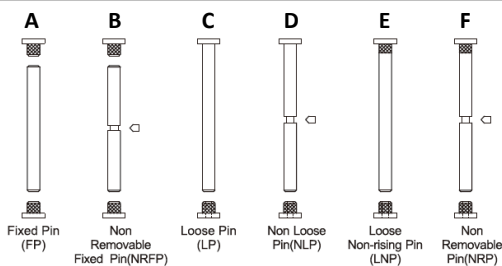
Stainless Steel Flag Hinge

Dimension(H x W x T)
5.0" x 4.0" x 3.0mm

HOLE OPTIONS



PIN OPTIONS



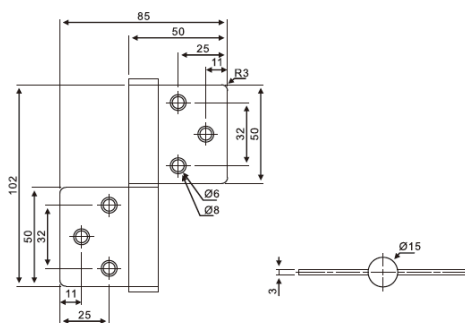
FEATURES

Usage	Wooden Door, Metal Door, Steel Door, Interior Door, Outer Door
Material	Stainless Steel 304 / 316 / 201
Finish	SSS, PSS, PVD, PB, AB, AC

STAINLESS STEEL HINGE



UK-S 031



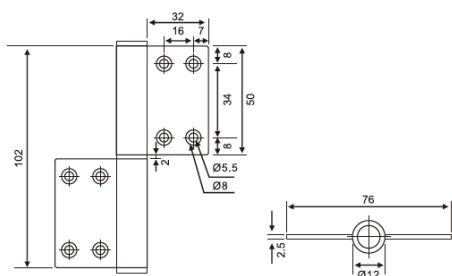
Stainless Steel Flag Hinge

Dimension(H x W x T)

102 x 85 x 3.0mm



UK-S 032



Stainless Steel Flag Hinge

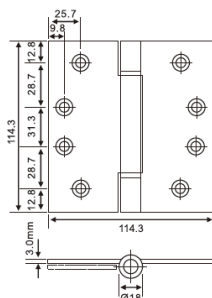
Dimension(H x W x T)

4.0" x 3.0" x 2.5mm

4.0" x 3.5" x 2.5mm



UK-S 033



Stainless Steel Action Spring Hinge

- Single Acting, Square Corner Template
- Adjustable Spring Tension
- Close by itself

Dimension(H x W x T)

3.0" x 3.0" x 3.0mm

3.5" x 3.5" x 3.0mm

4.0" x 3.0" x 3.0mm

4.0" x 4.0" x 3.0mm

Dimension(H x W x T)

4.5" x 4.0" x 3.0mm

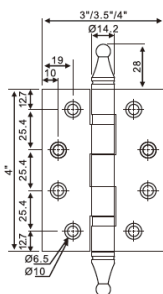
4.5" x 4.5" x 3.0mm

4.5" x 4.0" x 3.4mm

4.5" x 4.5" x 3.4mm



UK-S 034-B



Stainless Steel Hinge With Crown Tip

Dimension(H x W x T)

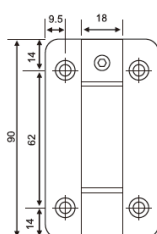
4.0" x 3.0" x 3.0mm

4.0" x 3.5" x 3.0mm

4.0" x 4.0" x 3.0mm



UK-S 035



Stainless Steel Single Action Hinge

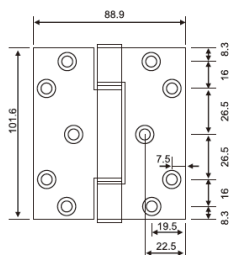
Dimension(H x W x T)

90 x 52 x 2.0mm - Ø18

STAINLESS STEEL HINGE

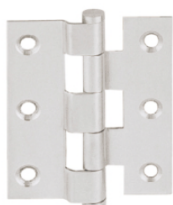
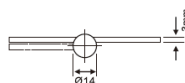


UK-S 039

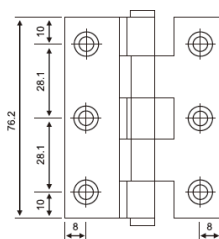


Stainless Steel 3 Knuckle Double Washers Hinge

Dimension(H x W x T)
4.0" x 3.0" x 3.0mm
4.0" x 3.5" x 2.0mm

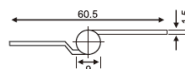


UK-S 040

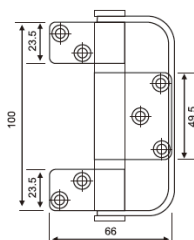


Stainless Steel Crank Hinge

Dimension(H x W x T)
4.0" x 3.0" x 2.0mm
3.0" x 2.4" x 1.5mm

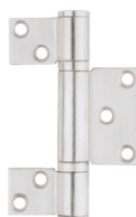
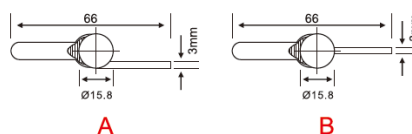


UK-S 041

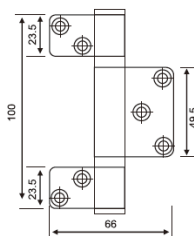


S / Steel 2 Ball Bearing Three Leaves Hinge With Handle for Folding Door

Dimension(H x W x T)
100 x 66 x 3.0mm

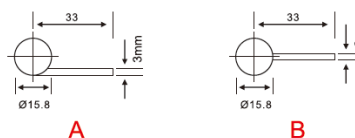


UK-S 042

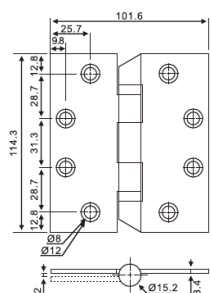


Stainless Steel Three Leaves Hinge for Folding Door

Dimension(H x W x T)
100 x 66 x 3.0mm



UK-S 044-B



Stainless Steel Hospital Hinge

- Hospital tip hinge
- Sloped tip prevents hanging any objects on the tip of the hinge, making it difficult to attach rope, wearing apparel etc.
- Double ball bearing, five knuckle hinge

Dimension(H x W x T)	Dimension(H x W x T)
4.0" x 3.0" x 3.0mm	4.5" x 4.0" x 3.4mm
4.0" x 3.5" x 3.0mm	4.5" x 4.5" x 3.4mm
4.0" x 4.0" x 3.0mm	5.0" x 3.0" x 3.0mm
4.5" x 4.5" x 3.0mm	5.0" x 5.0" x 3.0mm

DOOR CLOSER

UK-S 42400

Standard Arm Application



FEATURES

- European style, use for residential and commercial doors.
- Cast aluminum alloy body.
- Imported O seal ring & hydraulic oil, needle bearing
- Regular arm & top jamb application. Parallel arm is optional. Please specify when ordering.
- Available finish: Silver, Bronze, Golden, White, others upon request.

PRODUCT CLASSIFICATION

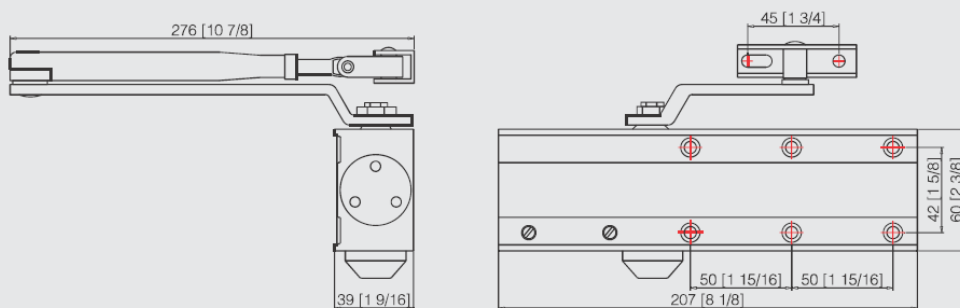
EN2	4	8	2	0	1	3
EN3	4	8	3	1	1	3
EN4	4	8	4	1	1	3

Models & Specifications

Model	Max. Door Width (mm)	Door Weight (kgs)	Spring Power	Max. Opening Angle
UK-S 42400	1100	20-80	EN2/EN3/EN4	180°

Note: EN2/EN3/EN4 by template movement

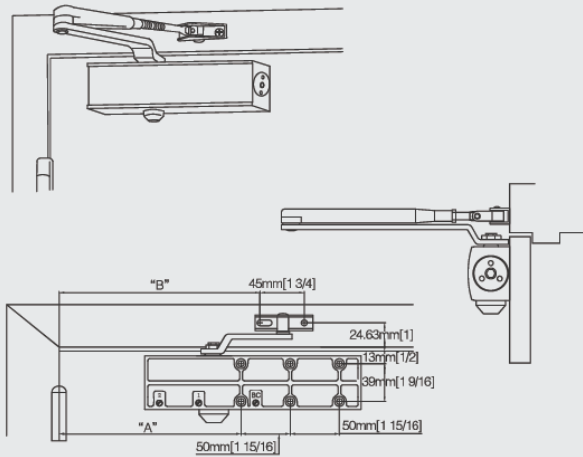
Technical Dimensions Unit (mm/inch)



UK-S 42400

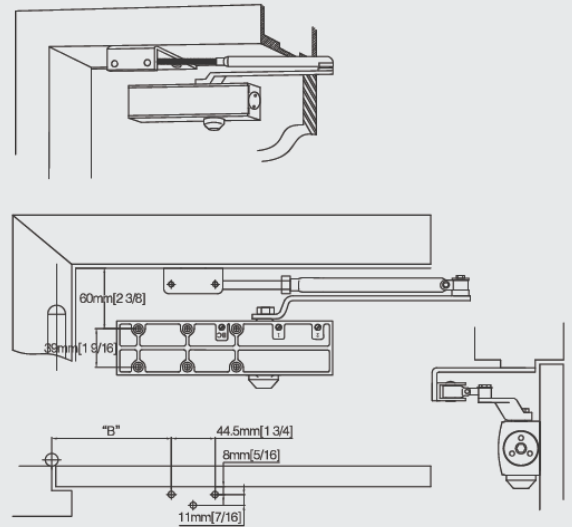
Standard Arm Installations Dimensions

Regular Arm Installation – Fig. 1



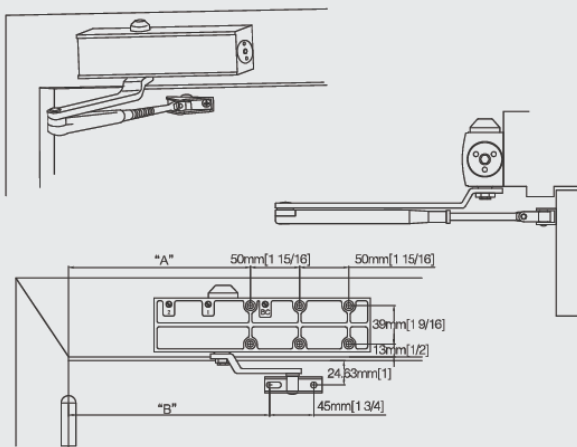
OPENING	DIM. "A" CLOSER		DIM. "B" CLOSER	
	INCHES	MM	INCHES	MM
120	8 1/4	210	8 1/4	210
180	7 5/16	185	8 1/4	210

Parallel Arm Installation – Fig. 66



OPENING	DIM. "A" CLOSER		DIM. "B" CLOSER	
	INCHES	MM	INCHES	MM
180	5	127	8 1/4	210

Top Jamb Installation – Fig. 61



OPENING	DIM. "A" CLOSER		DIM. "B" CLOSER	
	INCHES	MM	INCHES	MM
120	8 1/4	210	8 1/4	210
180	7 5/16	185	8 1/4	210

Special Cautions

1. Please read the installation instructions carefully before beginning the installation.
2. Door can be closed automatically under the door closer pressure and no extra force need to be exerted, or it can cause the failure of the product.
3. In the case of unusually high or heavy doors, windy or draughty conditions, or special installations, a large power size of door closer should be used.
4. DO NOT adjust the valve out of closer body, or it may cause leaking & final failure of the product.

UK-S 203900



FEATURES

- Apply to doors with requirement of concealed installation such as: Star Hotel executive, etc.: 44mm for wooden door. 40mm for hollow metal door.
- Cast aluminum alloy body shell.
- Imported O seal ring & hydraulic oil, needle bearing
- Regular arm & top jamb application.
- Available finish: Silver, Bronze, Golden, White, others upon request.

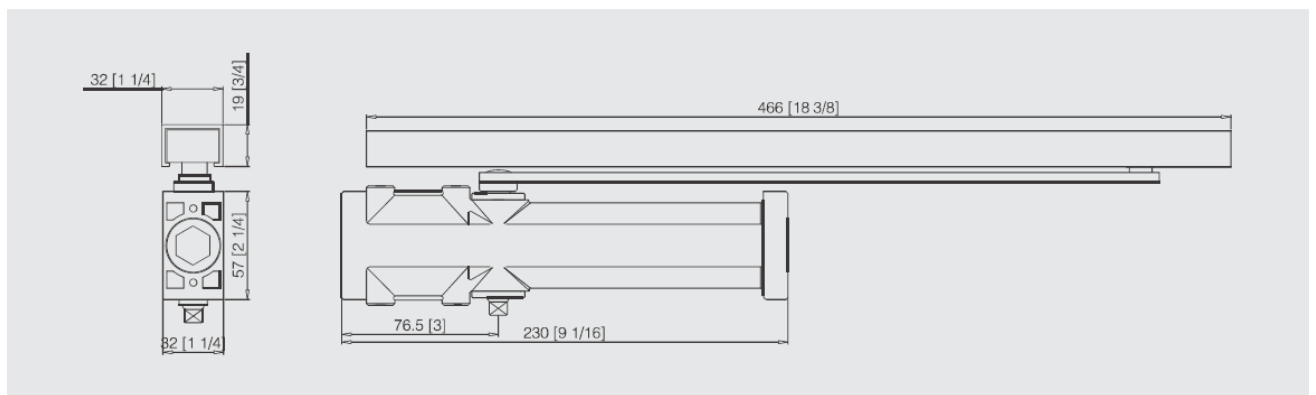
PRODUCT CLASSIFICATION

3	8	3	1	1	4
---	---	---	---	---	---

Models & Specifications

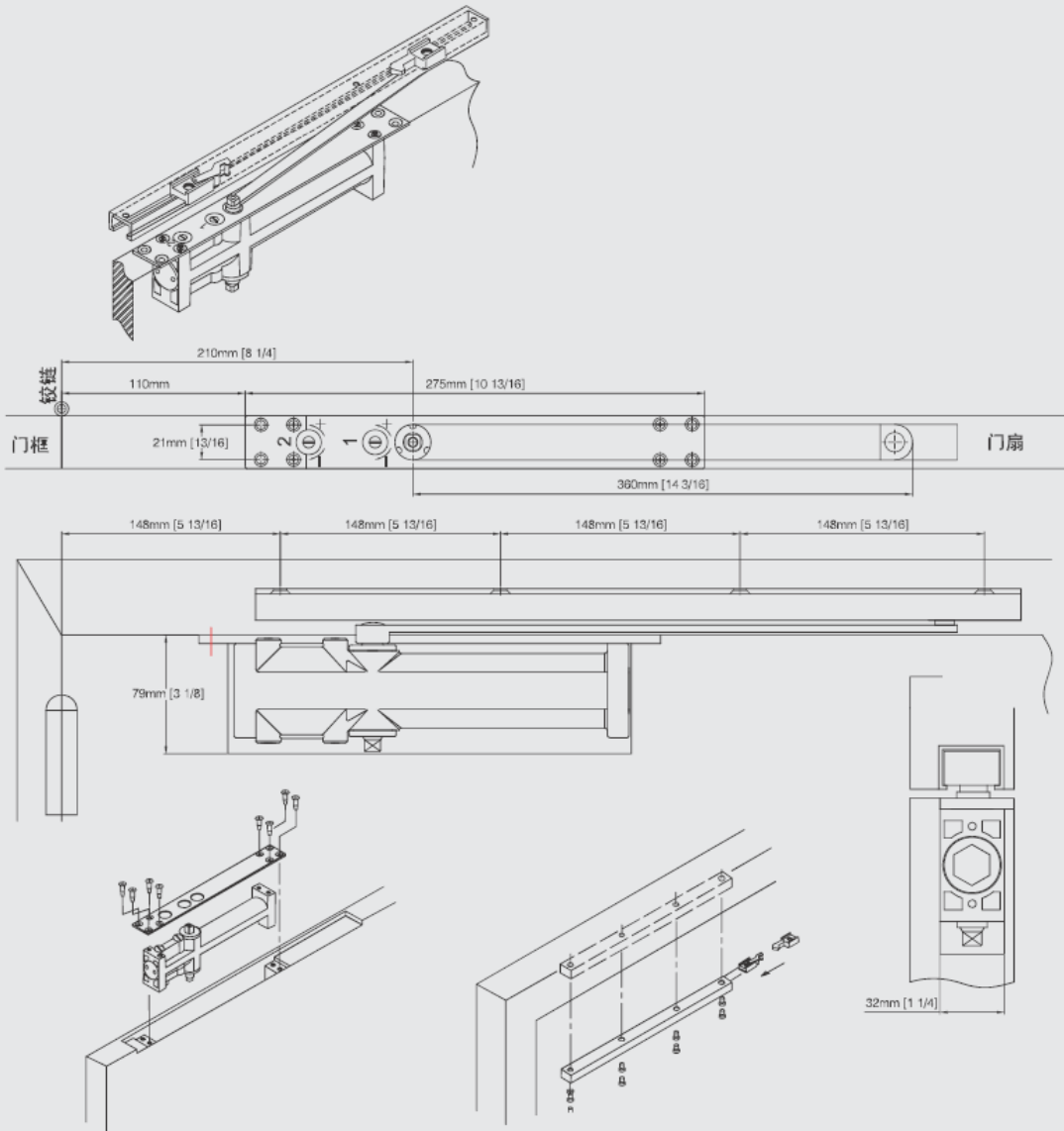
Model	Max. Door Width (mm)	Door Weight (kgs)	Spring Power	Max. Opening Angle
UK-S 203900	950	40-65	Fixed Size 3	120°

Technical Dimensions Unit (mm/inch)



UK-S 203900

Installations Dimensions



Special Cautions

1. Please read the installation instructions carefully before beginning the installation.
2. Door can be closed automatically under the door closer pressure and no extra force need to be exerted, or it can cause the failure of the product.
3. In the case of unusually high or heavy doors, windy or draughty conditions, or special installations, a large power size of door closer should be used.
4. DO NOT adjust the valve out of closer body, or it may cause leaking & final failure of the product.

UK-S 600060

Cam Action Concealed Door Closer



FEATURES

- Global popular style, Cam Action Mechanical, concealed door closer, double swing door.
- Suitable for all kinds of fire rated door, for wooden door the min. thickness is 44mm, while for Hollow Metal Door the min. thickness is 40mm.
- Meet the standard of European CE, North American UL & ANSI.
- Aluminum extrusion body, imported O-seal ring, full needle bearing, anti-freeze and rated hydraulic oil.
- Available finish: Silver, Bronze, Golden, White, others upon request.

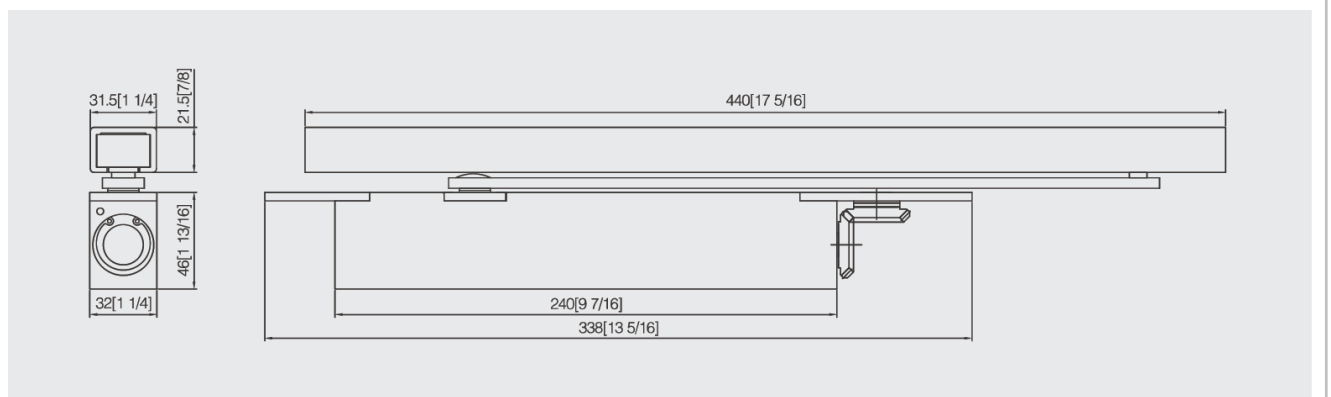
PRODUCT CLASSIFICATION

3	8	2/4	1	1	4
---	---	-----	---	---	---

Models & Specifications

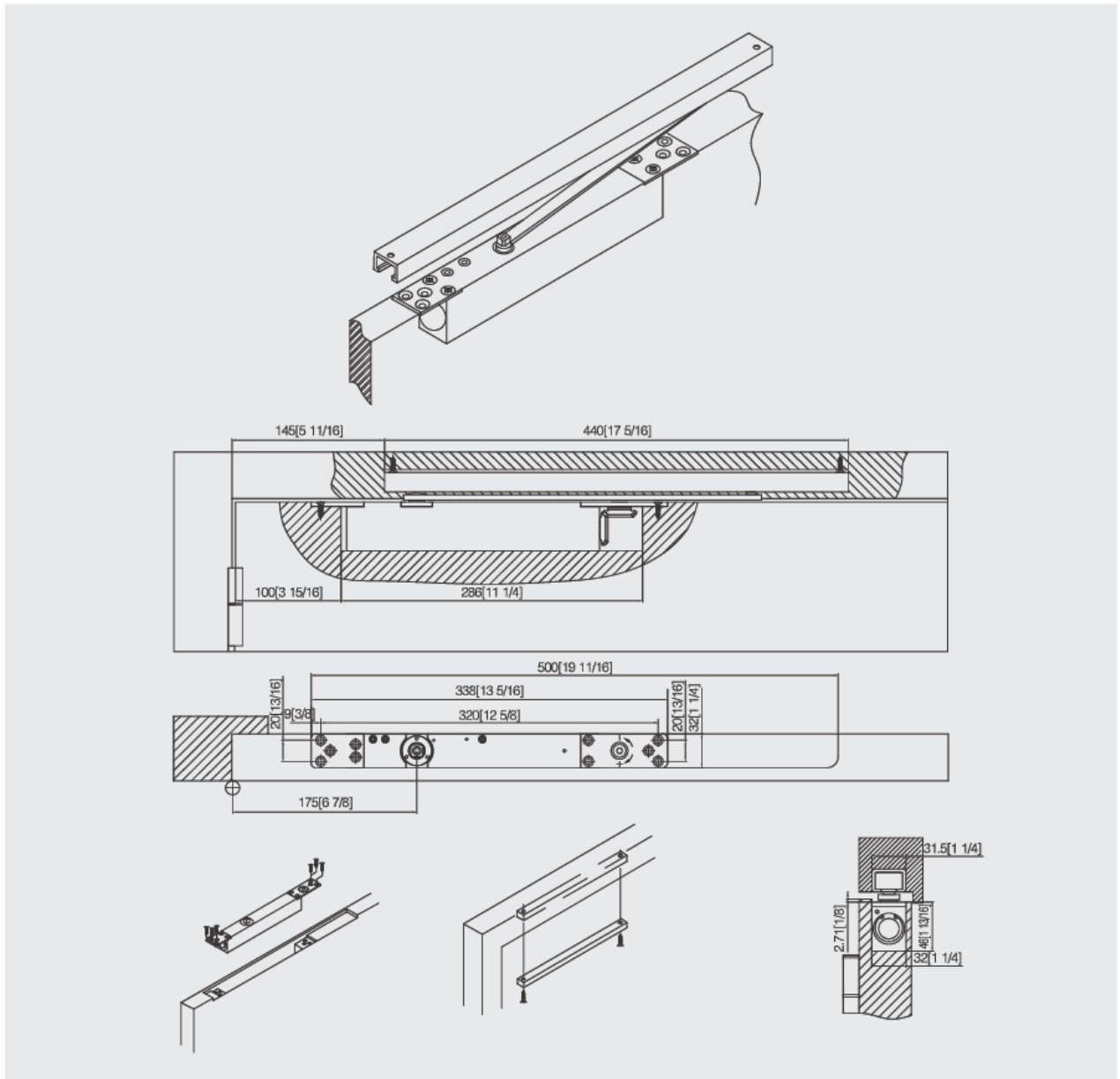
Model	Max. Door Width (mm)	Door Weight (kgs)	Spring Power	Max. Opening Angle
UK-S 600060	1100	25-85	Adjusting Size 2-4	Dual Swing 120°

Technical Dimensions Unit (mm/inch)



UK-S 600060

Installations Dimensions



Special Cautions

1. Please read the installation instructions carefully before beginning the installation.
2. Door can be closed automatically under the door closer pressure and no extra force need to be exerted, or it can cause the failure of the product.
3. In the case of unusually high or heavy doors, windy or draughty conditions, or special installations, a large power size of door closer should be used.
4. DO NOT adjust the valve out of closer body, or it may cause leaking & final failure of the product.

UK-S 3100



FEATURES

- Apply to light duty door
- Cast aluminum alloy body
- Standard and top jamb installation
- Optional parallel arm installation
- Available finish: Aluminum (Silver), Dark Bronze (Brown), others upon request

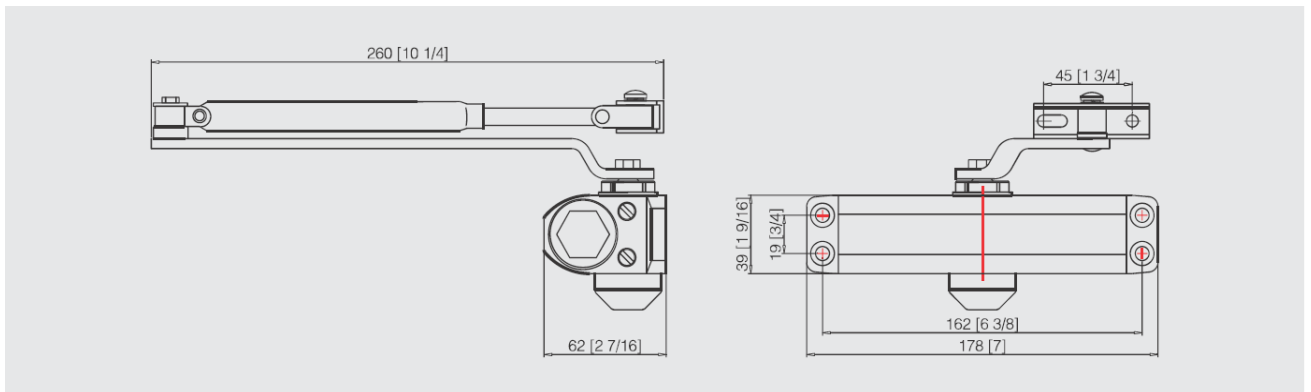
INSTALLATION POSITION	INSTALLATION TYPE	PRODUCT CLASSIFICATION					
		4	8	2	0	1	4
EN2	Standard Arm	4	8	2	0	1	4
EN3	Standard Arm & Parallel Arm	4	8	3	1	1	4
EN4	Standard Arm	4	8	4	1	1	4

Models & Specifications

Model	Max. Door Width (mm)	Door Weight (kgs)	Spring Power	Max. Opening Angle
UK-S 3100	950	40-65	Fixed Size 3	180°

Note: UK-S 3100 without hold open

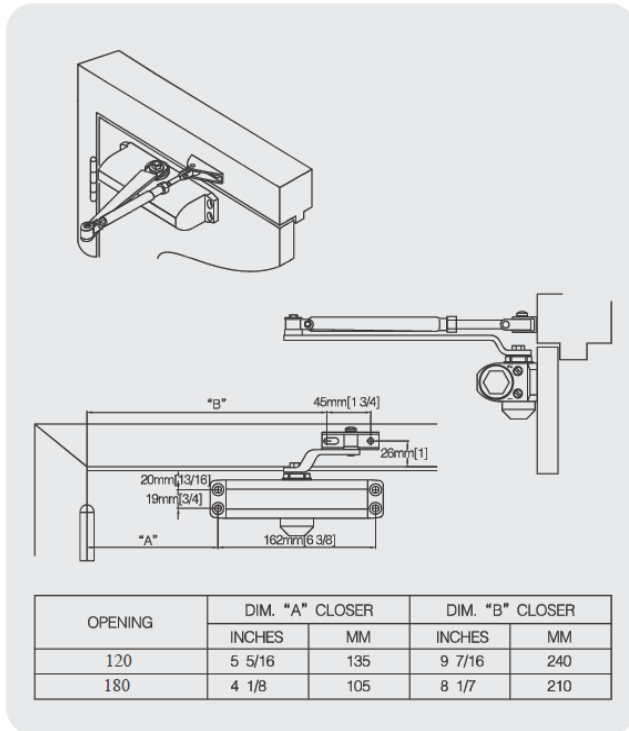
Technical Dimensions Unit (mm/inch)



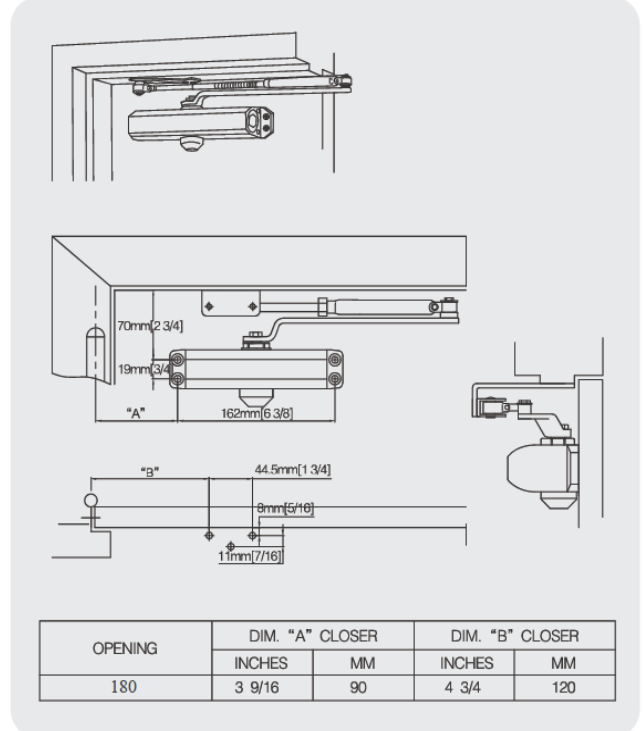
UK-S 3100

Installations Dimensions

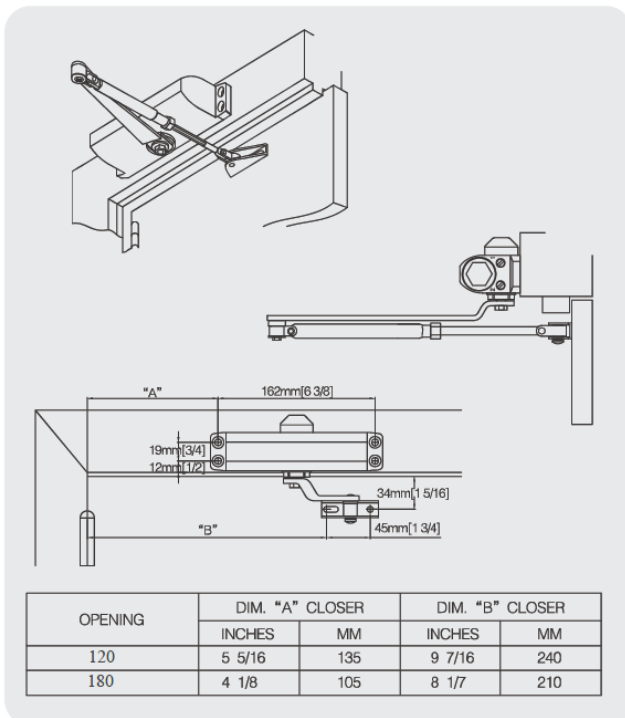
Regular Arm Installation – Fig. 1



Parallel Arm Installation – Fig. 66



Top Jamb Installation – Fig. 61



Special Cautions

1. Please read the installation instructions carefully before beginning the installation.
2. Door can be closed automatically under the door closer pressure and no extra force need to be exerted, or it can cause the failure of the product.
3. In the case of unusually high or heavy doors, windy or draughty conditions, or special installations, a large power size of door closer should be used.
4. DO NOT adjust the valve out of closer body, or it may cause leaking & final failure of the product.

UK-S 30300

Standard Arm Application



FEATURES

- European style, use for residential and commercial doors.
- Cast aluminum alloy body.
- Imported O seal ring & hydraulic oil, needle bearing
- Regular arm and top jamb. Anti-freeze oil application arm is optional. Please specify when ordering.
- Available finish: Silver, Bronze, Golden, White, others upon request.

PRODUCT CLASSIFICATION

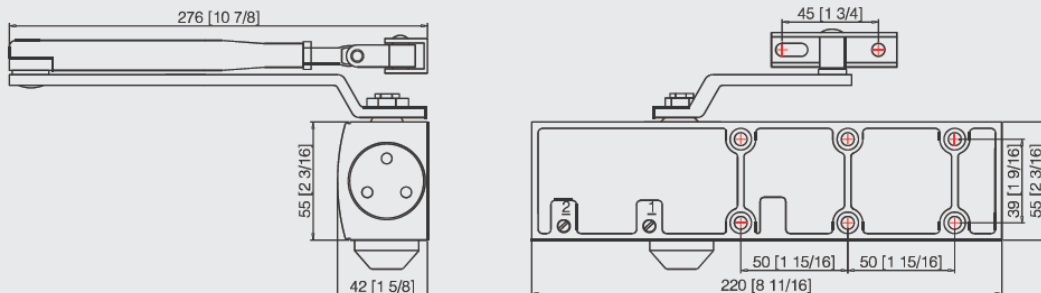
4	8	3	1	1	4
---	---	---	---	---	---

Models & Specifications

Model	Max. Door Width (mm)	Door Weight (kgs)	Spring Power	Max. Opening Angle
UK-S 30300	950	40-65	Fixed EN3	180°

Note: Optional Backcheck

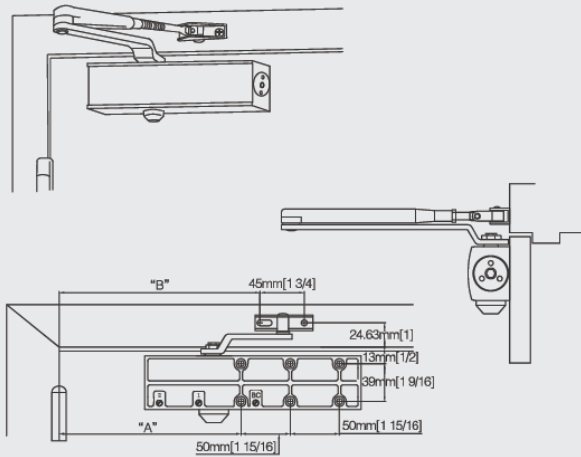
Technical Dimensions Unit (mm/inch)



UK-S 30300

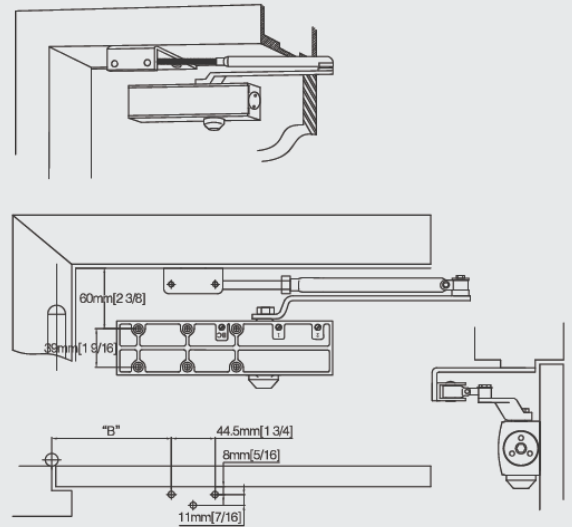
Standard Arm Installations Dimensions

Regular Arm Installation – Fig. 1



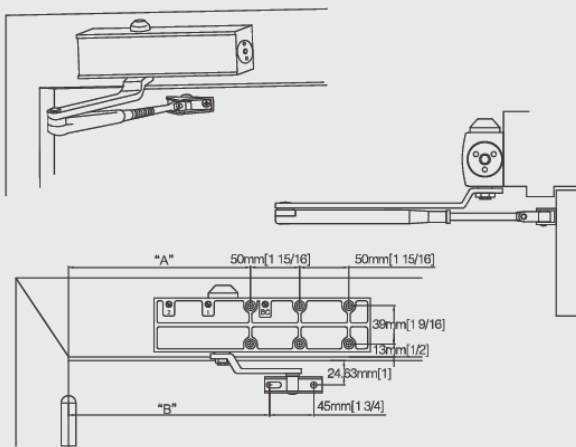
OPENING	DIM. "A" CLOSER		DIM. "B" CLOSER	
	INCHES	MM	INCHES	MM
120	8 1/4	210	8 1/4	210
180	7 5/16	185	8 1/4	210

Parallel Arm Installation – Fig. 66



OPENING	DIM. "A" CLOSER		DIM. "B" CLOSER	
	INCHES	MM	INCHES	MM
180	5	127	8 1/4	210

Top Jamb Installation – Fig. 61



OPENING	DIM. "A" CLOSER		DIM. "B" CLOSER	
	INCHES	MM	INCHES	MM
120	8 1/4	210	8 1/4	210
180	7 5/16	185	8 1/4	210

Special Cautions

1. Please read the installation instructions carefully before beginning the installation.
2. Door can be closed automatically under the door closer pressure and no extra force need to be exerted, or it can cause the failure of the product.
3. In the case of unusually high or heavy doors, windy or draughty conditions, or special installations, a large power size of door closer should be used.
4. DO NOT adjust the valve out of closer body, or it may cause leaking & final failure of the product.

UK-S 30300

Guide Rail Application



FEATURES

- European style, use for residential and commercial doors.
- Cast aluminum alloy body.
- Imported O seal ring & hydraulic oil, needle bearing
- Standard guide rail mounting
- Available finish: Silver, Bronze, Golden, White, others upon request.

PRODUCT CLASSIFICATION

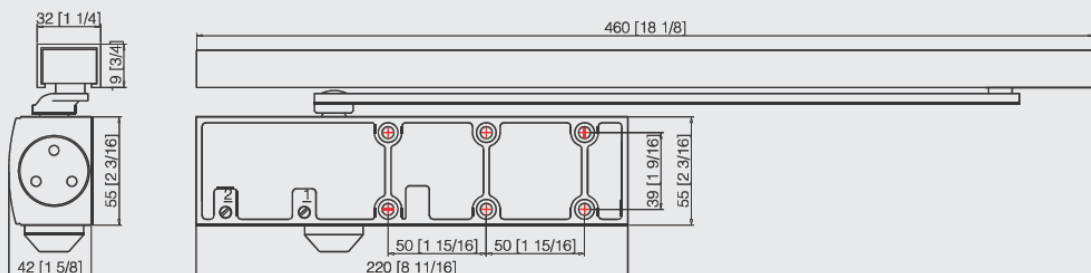
4	8	3	1	1	4
---	---	---	---	---	---

Models & Specifications

Model	Max. Door Width (mm)	Door Weight (kgs)	Spring Power	Max. Opening Angle
UK-S 30300	950	40-65	Fixed EN3	180°

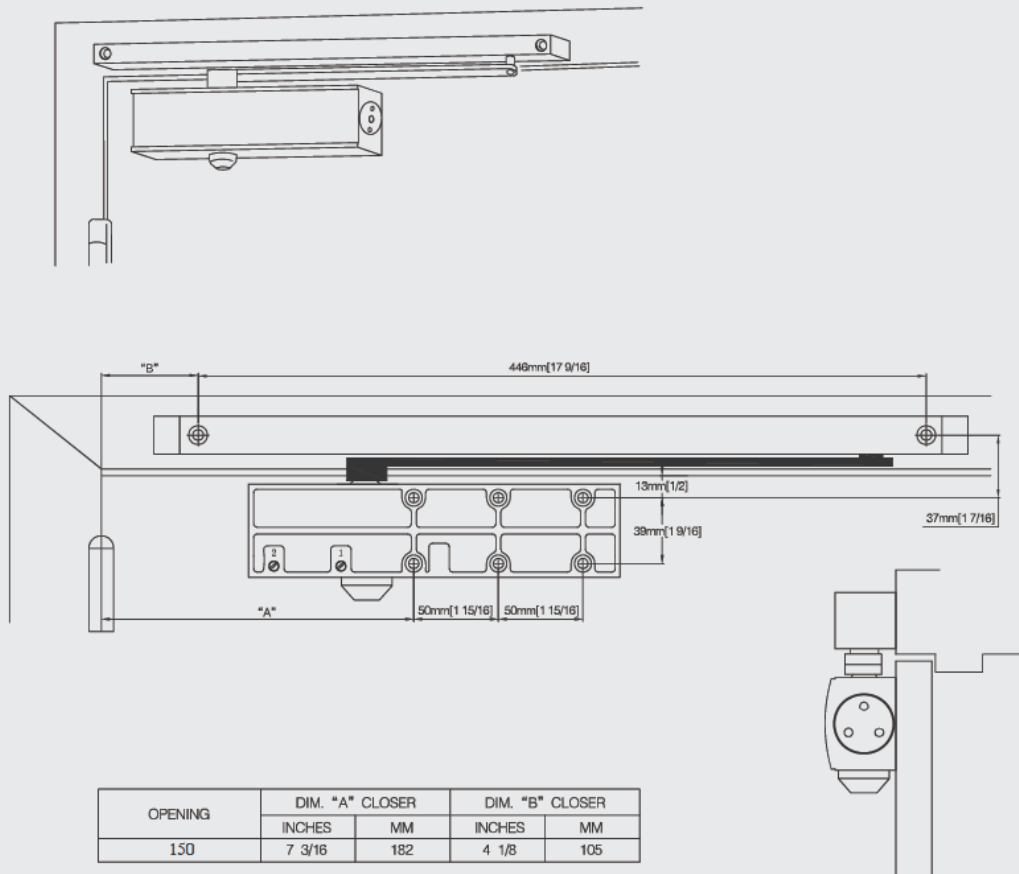
Note: Optional Backcheck

Technical Dimensions Unit (mm/inch)



UK-S 30300

Guide Rail Installations Dimensions



Special Cautions

1. Please read the installation instructions carefully before beginning the installation.
2. Door can be closed automatically under the door closer pressure and no extra force need to be exerted, or it can cause the failure of the product.
3. In the case of unusually high or heavy doors, windy or draughty conditions, or special installations, a large power size of door closer should be used.
4. DO NOT adjust the valve out of closer body, or it may cause leaking & final failure of the product.

UK-S 52500

Standard Arm Application



FEATURES

- European style, use for residential and commercial doors.
- Cast aluminum alloy body. EN1154 certified
- Imported O seal ring & hydraulic oil, needle bearing
- Regular arm & top jamb. Anti-freeze oil application arm is optional. Please specify when ordering.
- Available finish: Silver, Bronze, Golden, White, others upon request.

PRODUCT CLASSIFICATION

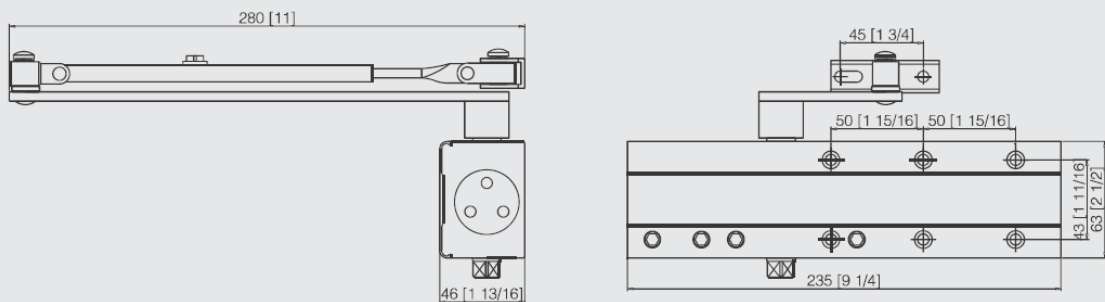
4	8	5	1	1	3
		2			

Models & Specifications

Model	Max. Door Width (mm)	Door Weight (kgs)	Spring Power	Max. Opening Angle
UK-S 52500	1250	20-120	EN2-5	180°

Note: Standard backcheck and delay action.

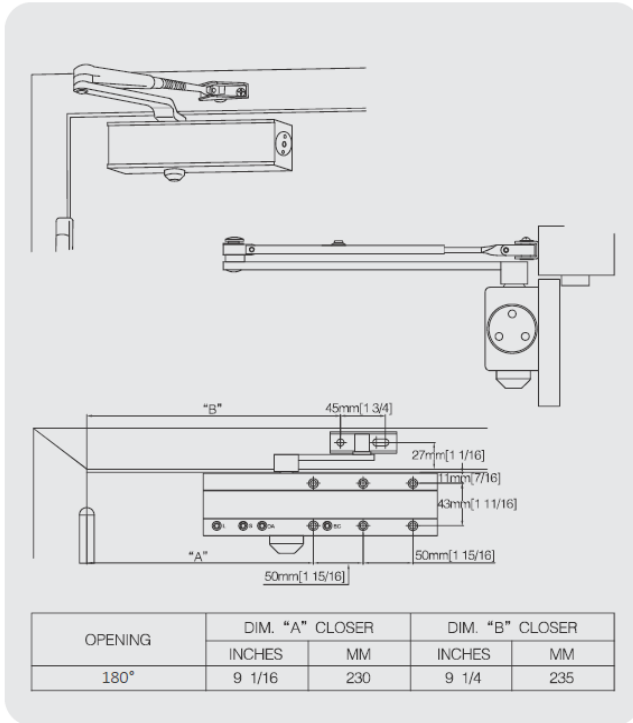
Technical Dimensions Unit (mm/inch)



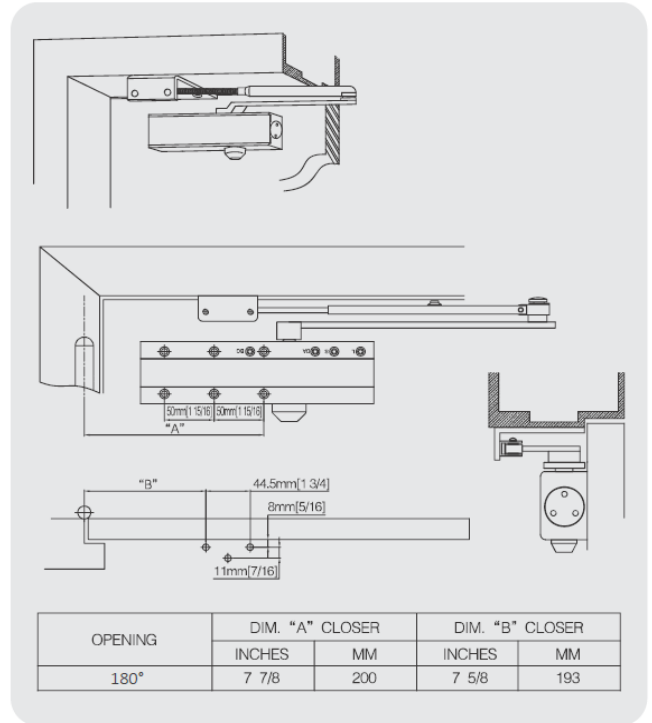
UK-S 52500

Standard Arm Installations Dimensions

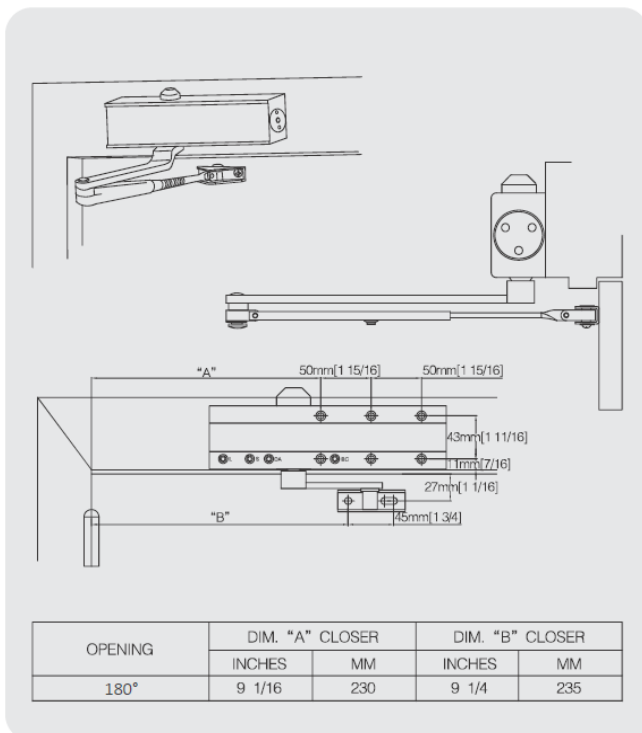
Regular Arm Installation – Fig. 1



Parallel Arm Installation – Fig. 66



Top Jamb Installation – Fig. 61



Special Cautions

1. Please read the installation instructions carefully before beginning the installation.
2. Door can be closed automatically under the door closer pressure and no extra force need to be exerted, or it can cause the failure of the product.
3. In the case of unusually high or heavy doors, windy or draughty conditions, or special installations, a large power size of door closer should be used.
4. DO NOT adjust the valve out of closer body, or it may cause leaking & final failure of the product.

UK-S 62600

Standard Arm Application



FEATURES

- European style, use for residential and commercial doors.
- Cast aluminum alloy body. EN1154 certified
- Imported O seal ring & hydraulic oil, needle bearing
- Regular arm & top jamb. Anti-freeze oil application arm is optional. Please specify when ordering.
- Available finish: Silver, Bronze, Golden, White, others upon request.

PRODUCT CLASSIFICATION

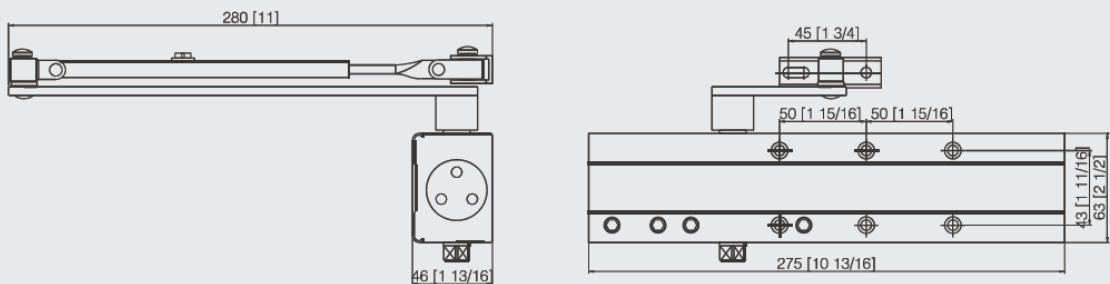
4	8	6	1	1	3
		2			

Models & Specifications

Model	Max. Door Width (mm)	Door Weight (kgs)	Spring Power	Max. Opening Angle
UK-S 62600	1400	20-150	EN2-6	180°

Note: Standard backcheck and delay action.

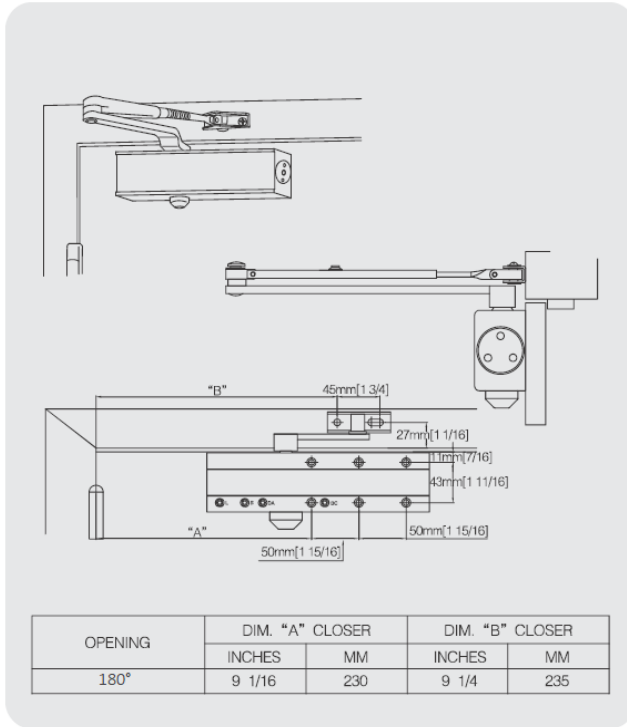
Technical Dimensions Unit (mm/inch)



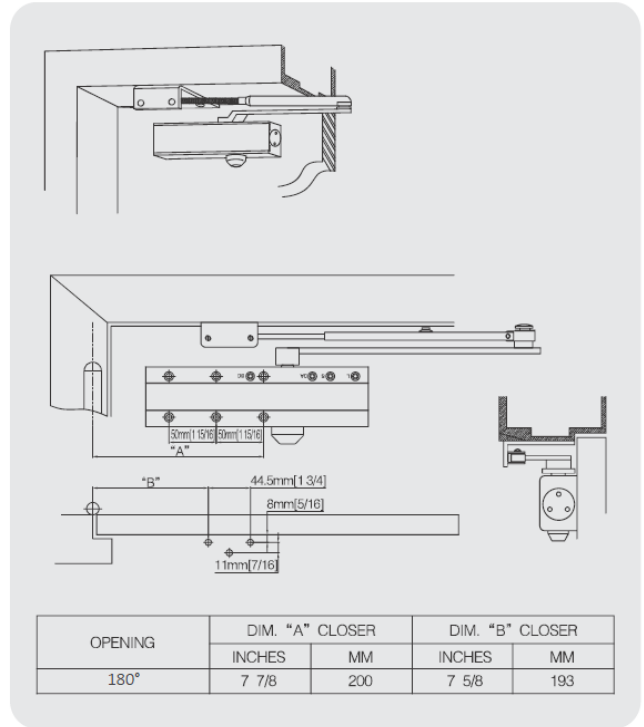
UK-S 62600

Standard Arm Installations Dimensions

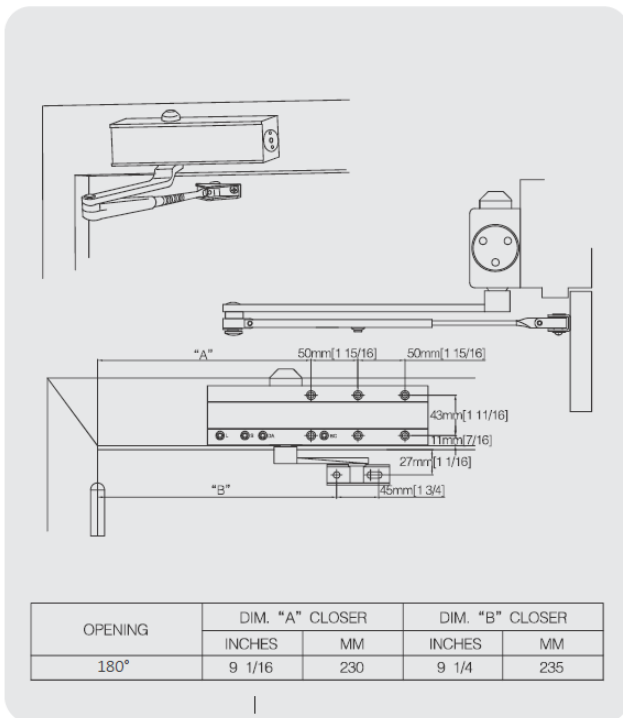
Regular Arm Installation – Fig. 1



Parallel Arm Installation – Fig. 66



Top Jamb Installation – Fig. 61



Special Cautions

1. Please read the installation instructions carefully before beginning the installation.
2. Door can be closed automatically under the door closer pressure and no extra force need to be exerted, or it can cause the failure of the product.
3. In the case of unusually high or heavy doors, windy or draughty conditions, or special installations, a large power size of door closer should be used.
4. DO NOT adjust the valve out of closer body, or it may cause leaking & final failure of the product.

UK-S 700800



FEATURES

- European style door closer and tested to meet EN 1154 and EN 1634.
- EN2, EN3, EN4 achieved by template movement.
- Cast aluminum alloy body.; needle bearing
- Standard installation; Optional top jamb and parallel arm installation.
- Available finish: Aluminum (Silver), Drak Bronze (Brown); others upon request.

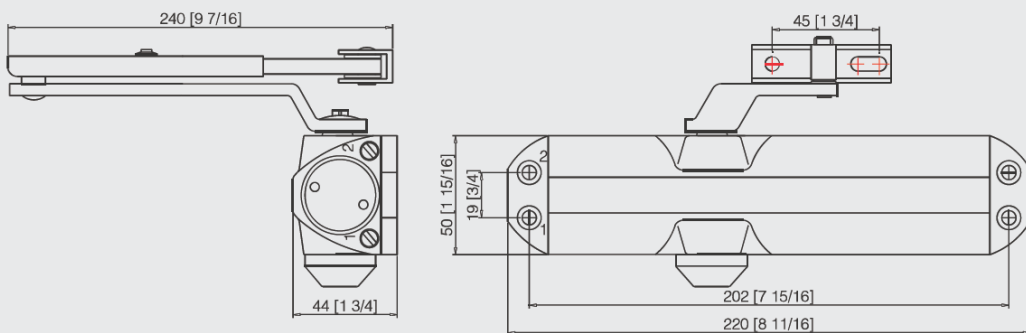
INSTALLATION POSITION	INSTALLATION TYPE	PRODUCT CLASSIFICATION					
		4	8	2	0	1	4
EN2	Standard Arm	4	8	2	0	1	4
EN3	Standard Arm & Parallel Arm	4	8	3	1	1	4
EN4	Parallel Arm	4	8	4	1	1	4

Models & Specifications

Model	Max. Door Width (mm)	Door Weight (kgs)	Spring Power	Max. Opening Angle
UK-S 700800	1100	25-80	EN2-4	180°

Note: Optional Backcheck

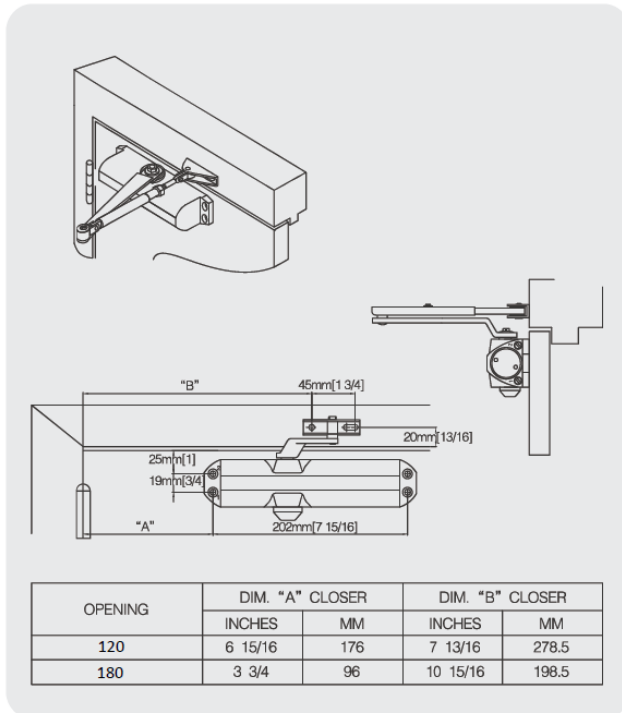
Technical Dimensions Unit (mm/inch)



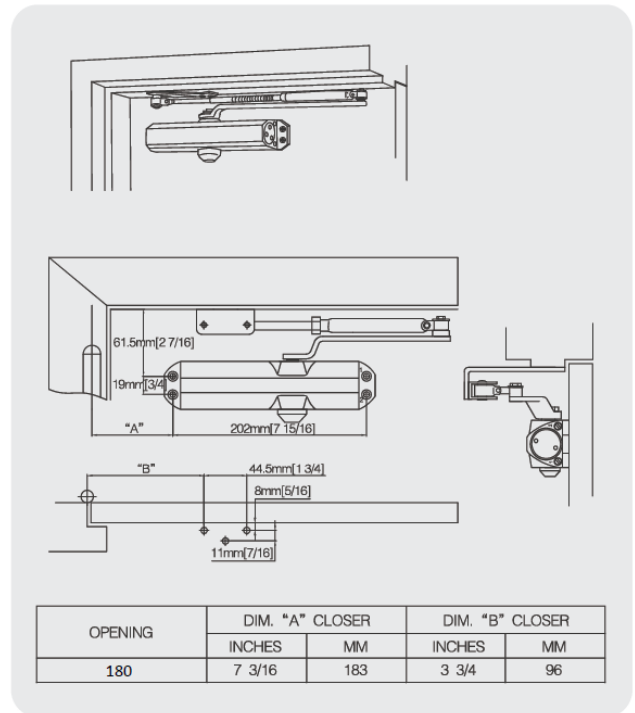
UK-S 700800

Installations Dimensions

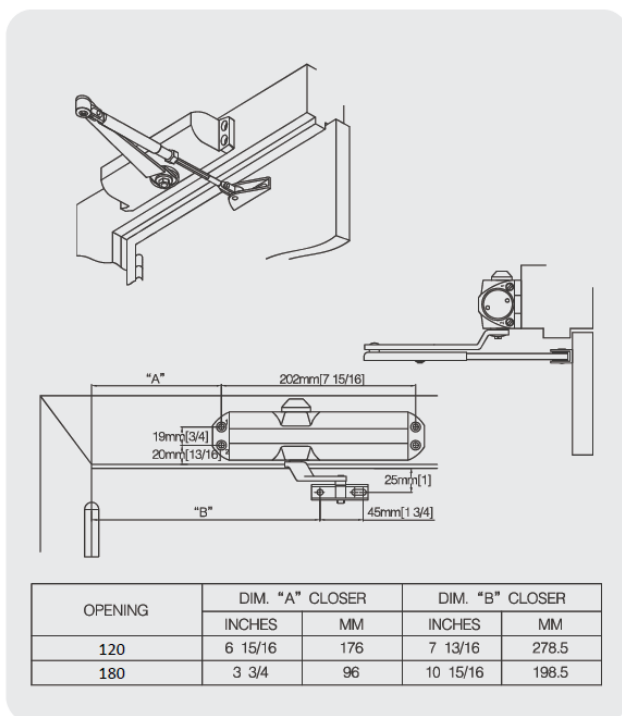
Regular Arm Installation – Fig. 1



Parallel Arm Installation – Fig. 66



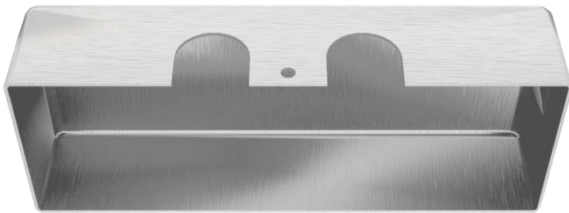
Top Jamb Installation – Fig. 61



Special Cautions

1. Please read the installation instructions carefully before beginning the installation.
2. Door can be closed automatically under the door closer pressure and no extra force need to be exerted, or it can cause the failure of the product.
3. In the case of unusually high or heavy doors, windy or draughty conditions, or special installations, a large power size of door closer should be used.
4. DO NOT adjust the valve out of closer body, or it may cause leaking & final failure of the product.

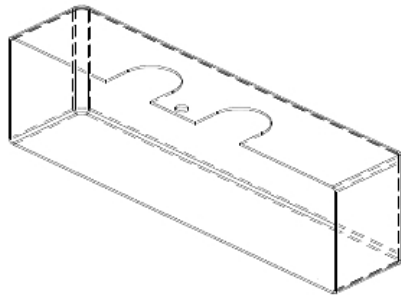
DOOR CLOSER COVER STAINLESS STEEL



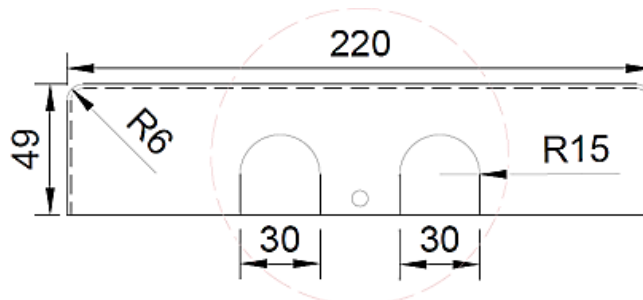
FEATURES

- Stainless Steel Cover for Door Closer
- Size: 49mm H x 220mm L x 77mm Depth
- Thickness: 1.0mm

ISOMETRIC



Front view

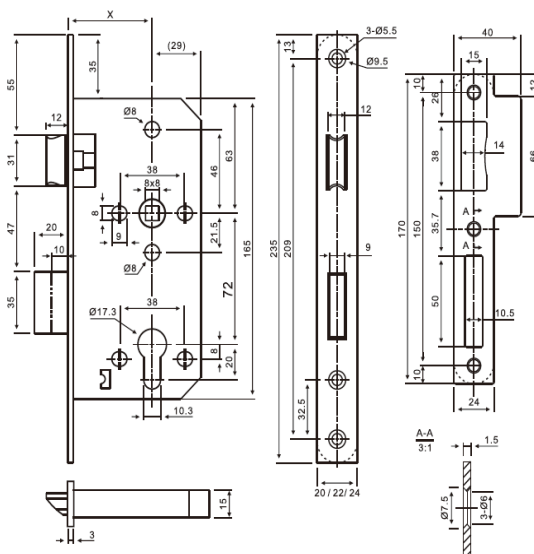
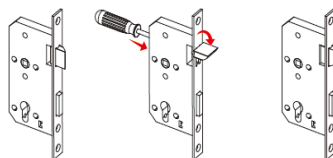


DOOR LOCK

SASH LOCK UK-S 008-9 SERIES



Lockcase Reversible Direction



PRODUCT CLASSIFICATION

3 X 9 1 0 G 3 B C 2 0

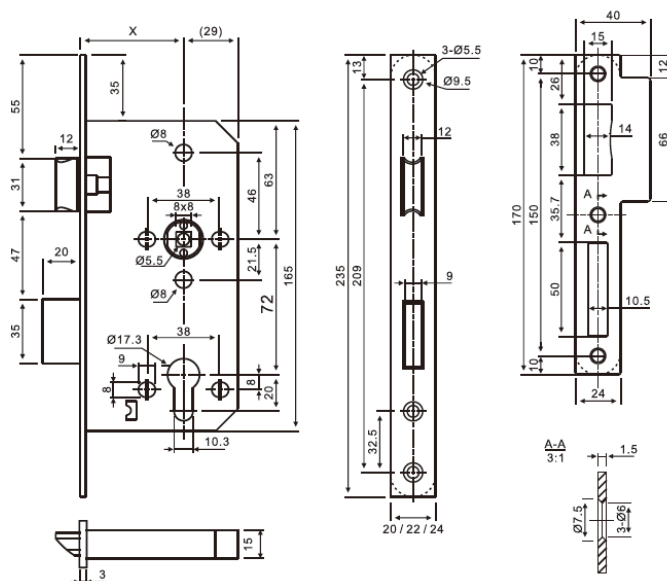
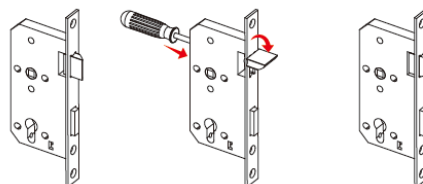
• Certification	CE EN12209 / DIN 18251 Grade 3, 200,000 test cycles, EN1634: 240 Min Fire rated, EN1670: 240 hours Corrosion Resistance.
• CE Classification	3X910G3BC20
• Backset	55mm, 60mm, 65mm, 70mm, 80mm
• Distance	72mm
• Material	Solid SUS 304 Latchbolt & Deadbolt, Follower, SUS 304 Forend, Strike Plate.
• Forend & Strike Plate	Square or Radius
• Finish	SSS, PSS, PVD, PB, AB, AC
• Application	Entrance door of commercial or residential application.
• Suitable for	Wooden Door, Metal Door, Fire Door, Smoke Door, Interior Door, Outer Door, Swing Door, etc.

Model No.	Backset (mm)	C to C distance (mm)
UK-S 008-95572	55mm	72
UK-S 008-96072	60mm	72
UK-S 008-96572	65mm	72
UK-S 008-97072	70mm	72
UK-S 008-98072	80mm	72

EMERGENCY ESCAPE LOCK UK-S 008-009E SERIES



Lockcase Reversible Direction

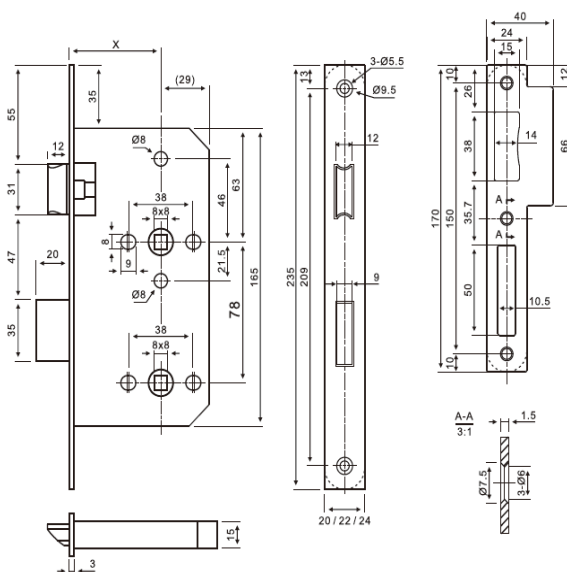
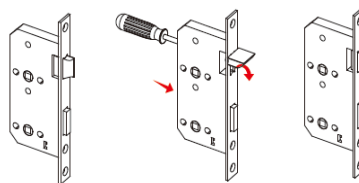


• Dead Bolt	1-turn
• Backset	55mm, 60mm
• Distance	72mm
• Material	Solid SUS 304 Latch bolt & Dead bolt, Follower, SUS 304 Forend, Strike Plate
• Forend & Strike Plate	Square or Radius
• Finish	SSS, PSS, PVD, PB, AB, AC
• Application	Escape door of commercial application
• Suitable for	Escape Door, Wooden Door, Metal Door, Fire Door, Smoke Door, Interior Door, Outer Door, Swing Door, etc.

BATHROOM LOCK UK-S 008-12 SERIES



Lockcase Reversible Direction



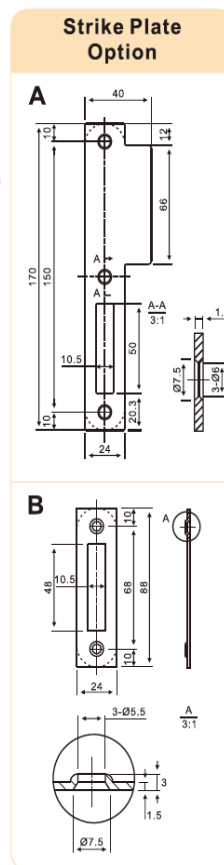
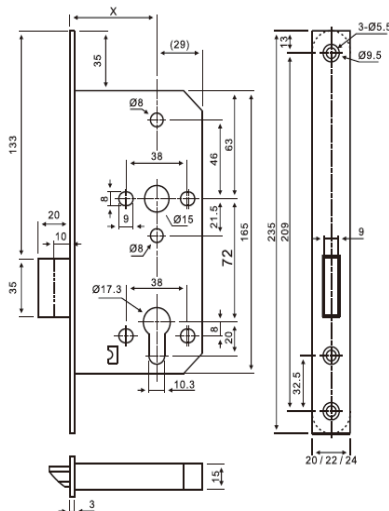
PRODUCT CLASSIFICATION

3 X 9 1 0 G - B 0 2 0

• Certification	CE EN12209 / DIN 18251 Grade 3, 200,000 test cycles, EN1634: 240 Min Fire rated, EN1670: 240 hours Corrosion Resistance.
• CE Classification	3X910G-B020
• Backset	55mm, 60mm, 65mm
• Distance	78mm
• Material	Solid SUS 304 Latchbolt & Deadbolt, Follower, SUS 304 Forend, Strike Plate.
• Forend & Strike Plate	Square or Radius
• Finish	SSS, PSS, PVD, PB, AB, AC
• Application	Bathroom or Toilet door of commercial or residential application.
• Suitable for	Wooden Door, Metal Door, Fire Door, Smoke Door, Interior Door, Outer Door, Swing Door, etc.

Model No.	Backset (mm)	C to C distance (mm)
UK-S 008-125578	55mm	78
UK-S 008-126078	60mm	78
UK-S 008-126578	65mm	78

DEADLOCKING BOLT UK-S 008-13 SERIES



PRODUCT CLASSIFICATION

3 X 9 1 0 G 3 B C 0 0

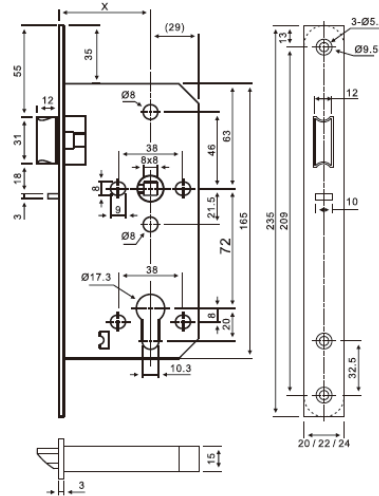
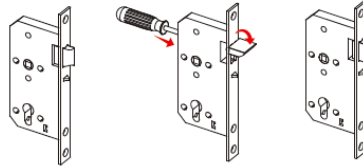
• Certification	CE EN12209 / DIN 18251 Grade 3, 200,000 test cycles, EN1634: 240 Min Fire rated, EN1670: 240 hours Corrosion Resistance.
• CE Classification	3X910G3BC00
• Backset	55mm, 60mm, 65mm
• Distance	72mm
• Material	Solid SUS 304 Latchbolt & Deadbolt, Follower, SUS 304 Forend, Strike Plate.
• Forend & Strike Plate	Square or Radius
• Finish	SSS, PSS, PVD, PB, AB, AC
• Application	Entrance or Store Room door of commercial or residential application.
• Suitable for	Wooden Door, Metal Door, Fire Door, Smoke Door, Interior Door, Outer Door, Swing Door, etc.

Model No.	Backset (mm)	C to C distance (mm)
UK-S 008-135572	55mm	72
UK-S 008-136072	60mm	72
UK-S 008-136572	65mm	72

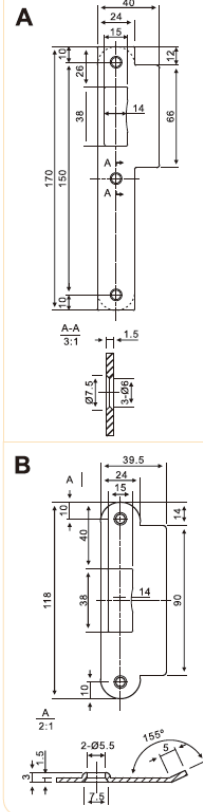
CLASSROOM LOCK UK-S 008-015 SERIES



Lockcase Reversible Direction



Strike Plate
Option



• Backset	55mm, 60mm
• Distance	72mm
• Material	Solid SUS 304 Latch bolt & Dead bolt, Follower, SUS 304 Forend, Strike Plate
• Forend & Strike Plate	Square or Radius
• Finish	SSS, PSS, PVD, PB, AB, AC
• Application	Classroom door of commercial or residential application
• Suitable for	Wooden Door, Metal Door, Fire Door, Smoke Door, Interior Door, Outer Door, Swing Door, etc.

MORTISE LOCK SERIES



Features

- According to EN12209-Grade 3, DIN18251-1
- Applicable for kinds of swing gate, wooden doors, steel doors, etc.
- Prepared for standard Euro Profile Cylinder
- Latch bolt has reversible ability
- Dead bolt-2 turns

ENTRANCE UK-S 008-016	ROLLER UK-S 008-017	STORE ROOM UK-S 008-018	PASSAGE UK-S 008-019	PRIVACY UK-S 008-020

TECHNICAL DATA		FOREND	
Follower	8 x 8mm	Type	Radius Head, Square Head
Distance	72mm, 85mm	Thickness	3mm
Backset	40mm, 45mm, 50mm, 55mm, 60mm	Width	22mm, 23mm, 24mm
		Finish	SSS, PSS, PVD, AB, AC

MATERIAL	
Latch Bolt	Brass, Zinc Alloy, Stainless Steel
Dead Bolt	Brass, Zinc Alloy, Stainless Steel
Follower	Brass, Zinc Alloy, Stainless Steel
Forend	Stainless Steel

NARROW STILE LOCK SERIES



Features

- According to EN12209-Grade 3, DIN18251-1
- Applicable for kinds of swing gate, wooden doors, steel doors, etc.
- Prepared for standard Euro Profile Cylinder
- Latch bolt has reversible ability
- Dead bolt-1 turn

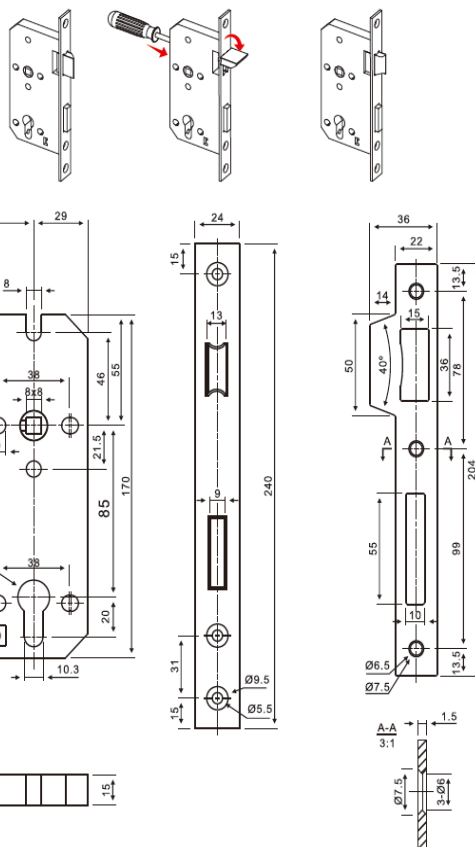
ENTRANCE UK-S 008-021	ROLLER UK-S 008-022	STORE ROOM UK-S 008-023	PASSAGE UK-S 008-024	PRIVACY UK-S 008-025

TECHNICAL DATA		FOREND	
Follower	8 x 8mm	Type	Radius Head, Square Head
Distance	85mm, 92mm	Thickness	2.5mm
Backset	20mm, 25mm, 30mm, 35mm	Width	16mm, 22mm
		Finish	SSS, PSS, PVD, AB, AC

MATERIAL	
Latch Bolt	Brass, Zinc Alloy, Stainless Steel
Dead Bolt	Brass, Zinc Alloy, Stainless Steel
Follower	Brass, Zinc Alloy, Stainless Steel, Steel
Forend	Stainless Steel

SASH LOCK UK-S 008-26 SERIES

Lockcase Reversible Direction



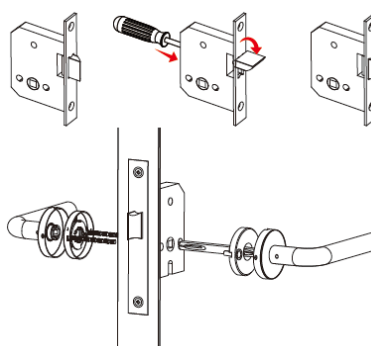
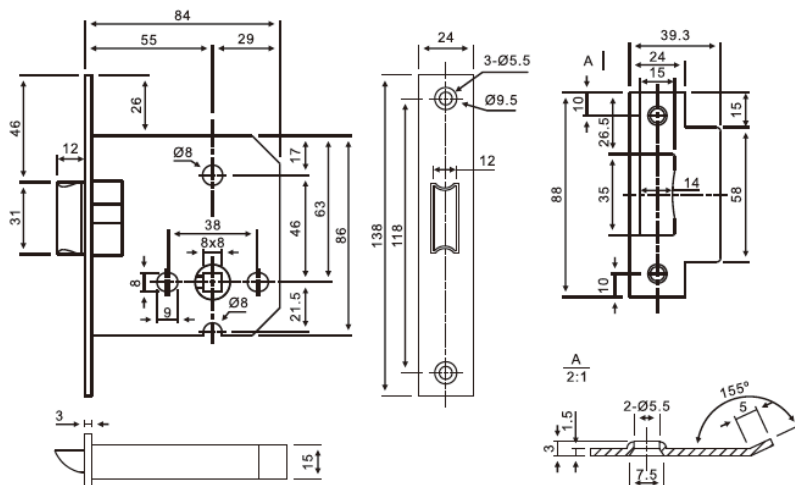
PRODUCT CLASSIFICATION

3 X 9 1 0 G 3 B C 2 0

• Certification	CE EN12209 / DIN 18251 Grade 3, 200,000 test cycles, EN1634: 240 Min Fire rated, EN1670: 240 hours Corrosion Resistance.
• CE Classification	3X910G3BC20
• Backset	45mm, 50mm, 60mm
• Distance	85mm
• Material	Solid SUS 304 Latchbolt & Deadbolt, Follower, SUS 304 Forend, Strike Plate.
• Forend & Strike Plate	Square or Radius
• Finish	SSS, PSS, PVD, PB, AB, AC
• Application	Entrance door of commercial and residential application.
• Suitable for	Wooden Door, Metal Door, Fire Door, Smoke Door, Interior Door, Outer Door, Swing Door, etc.

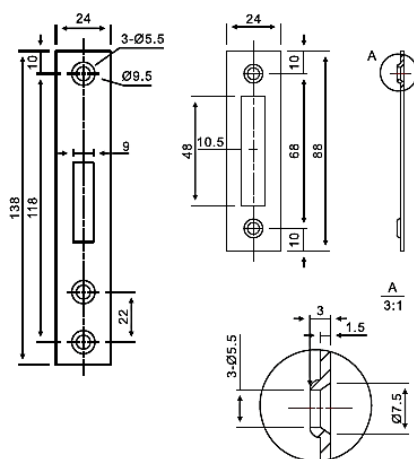
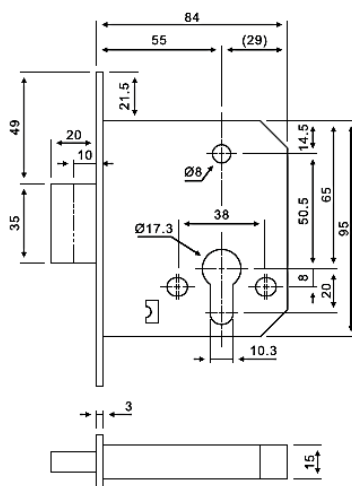
Model No.	Backset (mm)	C to C distance (mm)
UK-S 008-264585	45mm	85
UK-S 008-265085	50mm	85
UK-S 008-266085	60mm	85

LATCH BOLT LOCK BODY UK-S 008-028



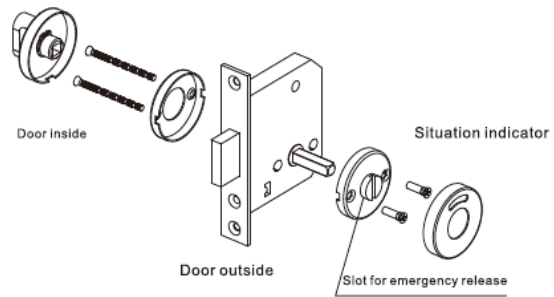
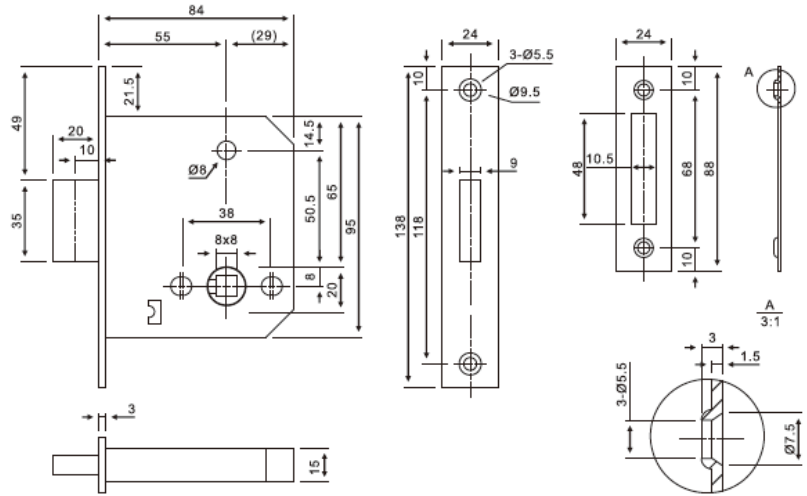
• Backset	55mm
• Material	Solid SUS 304 Deadbolt, SUS 304 Forend, Strike Plate
• Deadbolt	2 turns
• Finish	SSS, PSS, PVD, PB, AB, AC
• Application	Toilet door of commercial or residential application
• Suitable for	Wooden Door, Metal Door, Interior Door, Outer Door, Swing Door, etc.

DEADBOLT LOCK BODY UK-S 008-029



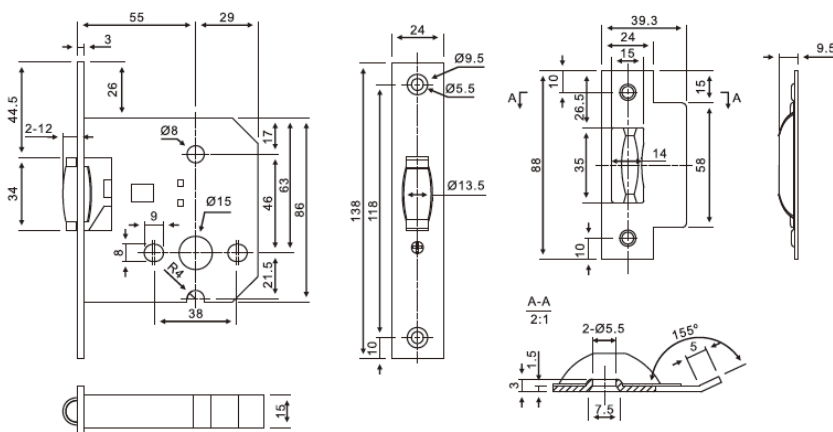
• Backset	55mm
• Material	Solid SUS 304 Deadbolt, SUS 304 Forend, Strike Plate
• Deadbolt	2 turns
• Finish	SSS, PSS, PVD, PB, AB, AC
• Application	Toilet door of commercial or residential application
• Suitable for	Wooden Door, Metal Door, Interior Door, Outer Door, Swing Door, etc.

DEADBOLT LOCK BODY UK-S 008-029-B



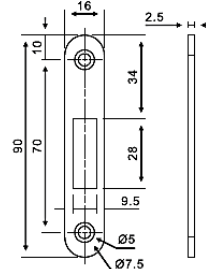
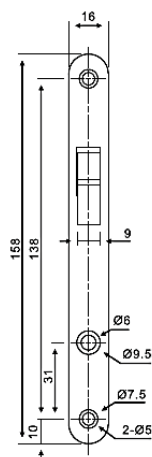
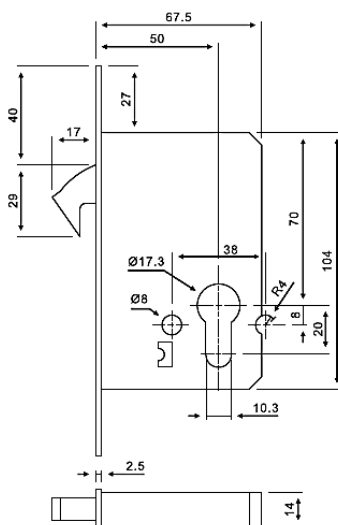
• Backset	55mm
• Material	Solid SUS 304 Deadbolt, SUS 304 Forend, Strike Plate
• Deadbolt	2 turns
• Finish	SSS, PSS, PVD, PB, AB, AC
• Application	Toilet door of commercial or residential application
• Suitable for	Wooden Door, Metal Door, Interior Door, Outer Door, Swing Door, etc.

ROLLER BOLT LOCK UK-S 008-030



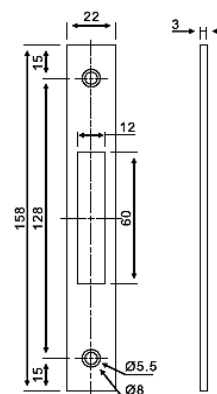
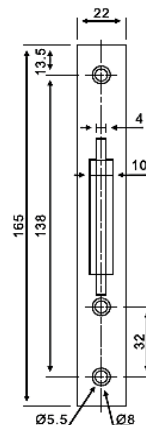
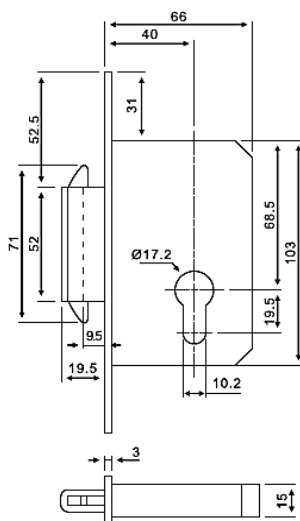
• Backset	55mm
• Material	Solid SUS 304 Roller Bolt, SUS 304 Forend, Strike Plate
• Forend Plate	W24xH138xT3mm, Square Head
• Finish	SSS, PSS, PVD, PB, AB, AC
• Suitable for	Wooden Door, Metal Door, Interior Door, Outer Door, Swing Door, etc.

SLIDING DOOR HOOK LOCK UK-S 008-031



• Backset	50mm
• Material	Solid SUS 304 Hook Bolt, SUS 304 Forend, Strike Plate
• Forend Plate	W16xH158xT2.5mm, Radius Head
• Finish	SSS, PSS, PVD, PB, AB, AC
• Suitable for	Sliding Door, Wooden Door, Metal Door, Interior Door, etc.

SLIDING DOOR DOUBLE HOOK LOCK UK-S 008-031-B SERIES

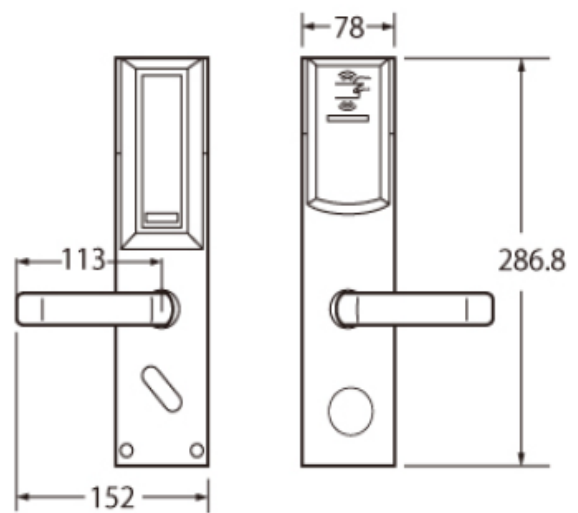


• Backset	40mm, 50mm
• Material	SUS 304 Forend, Strike Plate, Steel Hook Bolt
• Forend & Strike Plate	Square
• Finish	SSS, PSS, PVD, PB, AB, AC
• Application	Sliding Door of commercial or residential application
• Suitable for	Sliding Door, Wooden Door, Metal Door, Interior Door, etc.

RFID LOCK

ADVANCED HOTEL LOCKS

1800 Mortise Stainless Steel - Fire Rated



Back View

Front View

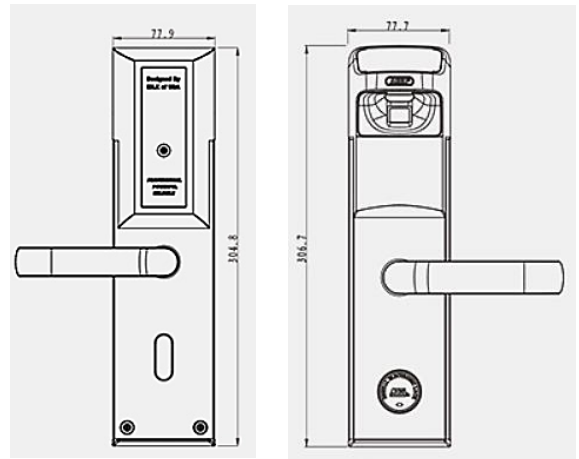
All dimensions are in mm

FEATURES

- Cast steel unified structure
- High damage resistance
- Anti-pick latch design and anti-friction latch alarming system enable duple safety.
- Card Type: Mifare Card
- Working Voltage: DC 6V (4 x AA battery)
- Static Consumption: 100uA
- Dynamic Consumption: <2000mA
- Battery Life: Approximately 15,000 times of normal operations
- Low Voltage Alarm: Three “beep” sounds alarming while the voltage is lower than 4.5V
- Unlocking Record: Audit trail records the latest 828 lock openings including mechanical override.
- Mechanical key: Override ensures prompt emergency opening when electric key is invalid while the lock is in the status of double-lock.
- Applicable for door thickness: 38 – 70mm

ADVANCED HOTEL LOCKS

333 Mortise –Stainless Steel – Fire rated



Back View

Front View

All dimensions are in mm

FEATURES

- Lifting up handle to double lock
- Card Type: Mifare Card
- Working Voltage: DC 6V (4 x AA battery)
- Static Consumption: <math><50\mu\text{A}</math>
- Dynamic Consumption: <math><200\text{mA}</math>
- Battery Life: Approximately 15,000 times of normal operation
- Low Voltage Alarm: Three “beep” sounds alarming while the voltage is lower than 4.5V.
- Unlocking Record: Audit trail records the latest 608 lock openings, and there is also unlocking record for mechanical key
- Mechanical key: Mechanical key for emergency use
- Applicable for door thickness: 38 – 71mm

ADVANCED HOTEL LOCKS**11 Mortise –Stainless Steel – Fire rated**

Back View

Front View

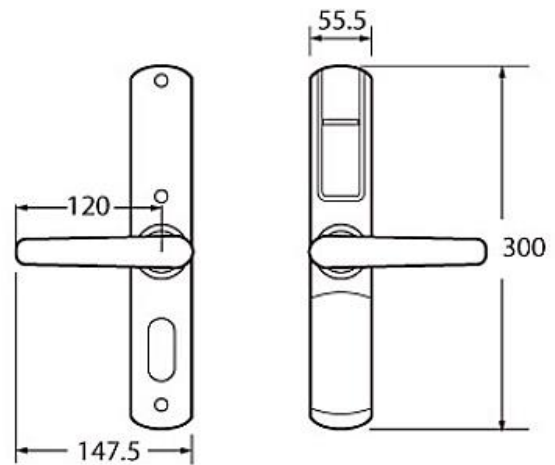
All dimensions are in mm

FEATURES

- Cast steel unified structure
- Card Type: Mifare Card
- Working Voltage: DC 6V (4 x AA battery)
- Static Consumption: 120uA
- Dynamic Consumption: <200mA
- Battery Life: Approximately 15,000 times of normal operation
- Low Voltage Alarm: Three “beep” sounds alarming while the voltage is lower than 4.5V.
- Unlocking Record: Audit trail records the latest 828lock openings including mechanical override
- Mechanical key: Override prompts emergency opening when electronic key is invalid while the lock is in the status of double-lock.
- Applicable for door thickness: 38 – 70mm

ADVANCED HOTEL LOCKS

5500 Mortise –Stainless Steel



Back View

Front View

All dimensions are in mm

FEATURES

- Lifting up handle to double lock
- Card Type: Mifare Card
- Working Voltage: DC 6V (4 x AA battery)
- Static Consumption: <math><120\mu\text{A}</math>
- Dynamic Consumption: 200mA
- Battery Life: Approximately 15,000 times of normal operation
- Low Voltage Alarm: Three “beep” sounds alarming while the voltage is lower than 4.5V.
- Unlocking Record: Audit trail records the latest 828 lock openings including mechanical override.
- Mechanical key: Override ensures prompt emergency opening when electric key is invalid while the lock is in the status of double-lock.
- Applicable for door thickness: 38 – 70mm

ADVANCED HOTEL LOCKS

Other Designs

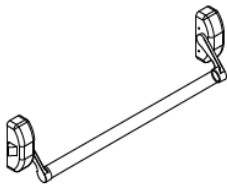
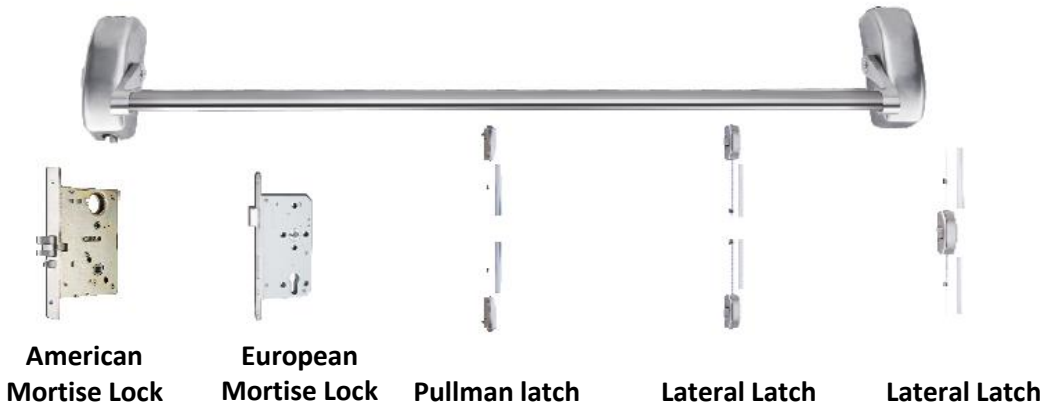


FEATURES

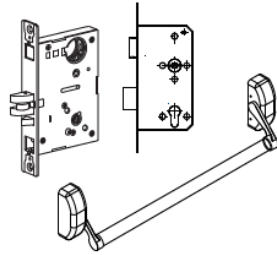
- With Bluetooth

EXIT DEVICE

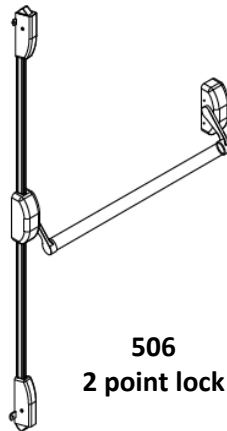
PUSH BAR EXIT DEVICE 500 SERIES



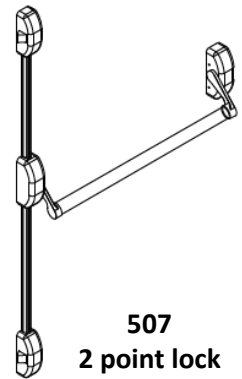
501
1 point lock



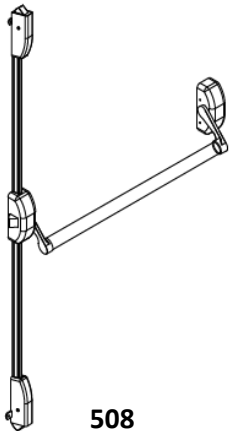
505
Lock by mortise lock



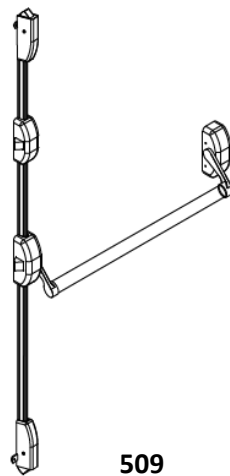
506
2 point lock



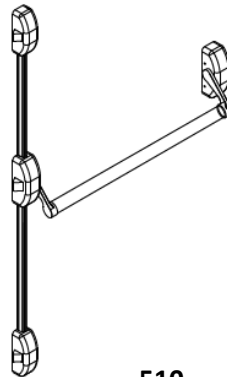
507
2 point lock



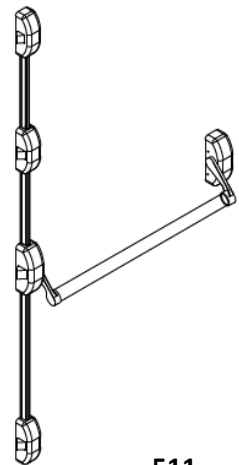
508
3 point lock
By 3 direction



509
4 point lock
by 3 direction



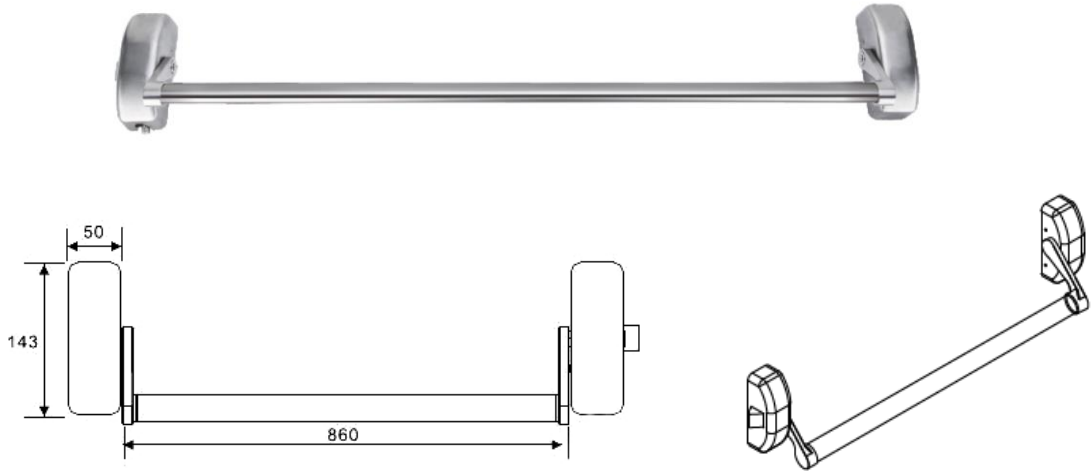
510
3 point lock
by 1 direction



511
4 point lock
by 1 direction

PUSH BAR EXIT DEVICE 501

1-point Lock



PRODUCT CLASSIFICATION

3	7	6	B	1	4	2	2	A	A
---	---	---	---	---	---	---	---	---	---

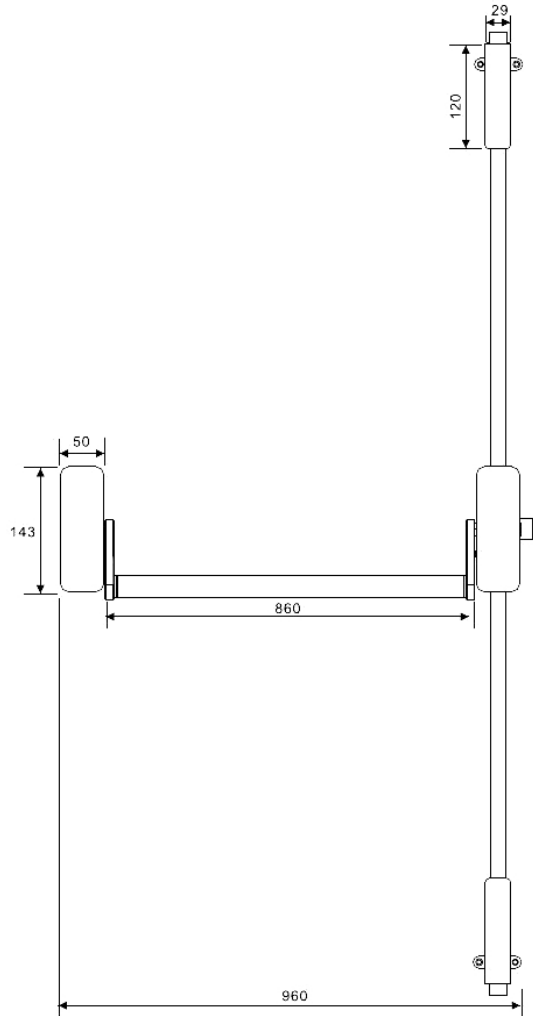
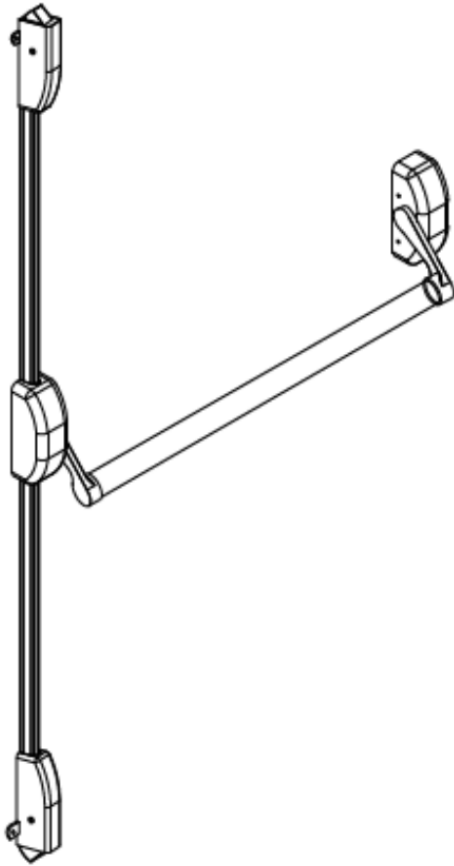
500 SERIES

1. CE mark, Fire Rated
2. EN1125 and EN1634 approved
3. None handed
4. Pullman latch and lateral latch design
5. Modular design, more than 4 point locks are available.
6. Material: Stainless steel or steel powder coating
7. Different finish is available

FEATURE

Lock Point	1
Push Bar	1,000mm length
Door Style	Single and Double Door
Max. Door Weight	200 kg
Dogging Device	N/A
Security Anti-thrust Latch	N/A
Door Width	Up to 1,500mm
Door Height	2,133mm
1Door Thickness	50mm

PUSH BAR EXIT DEVICE 506 2-point Lock



PRODUCT CLASSIFICATION

3 7 6 B 1 4 2 2 A A

500 SERIES

1. CE mark, Fire Rated
2. EN1125 and EN1634 approved
3. None handed
4. Pullman latch and lateral latch design
5. Modular design, more than 4 point locks are available.
6. Material: Stainless steel or steel powder coating
7. Difference finish is available


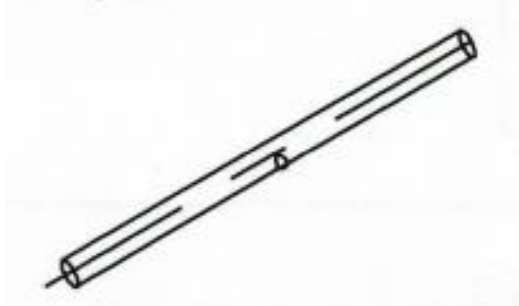
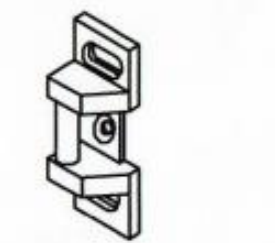


FEATURE

Lock Point	2
Push Bar	1,000mm length
Door Style	Single and Double Door
Max. Door Weight	200 kg
Dogging Device	N/A
Security Anti-thrust Latch	N/A
Door Width	Up to 1,500mm
Door Height	2,133mm
1Door Thickness	50mm

INSTALLATION MANUAL

1. PARTS CHECK

1. Make sure the correct device is being used.
2. Make sure all needed parts are on hand.

<p>1) Device</p> 	<p>2) Push Bar, 1 pc</p> 
<p>3) Strike with Screw</p>  <p>Strike (1 pc)</p>  <p>4.8x25 (3 pcs)</p>	<p>4) Screw Pack</p> 

3. Make sure outside trim (if being used) has been provided and is correct handing.

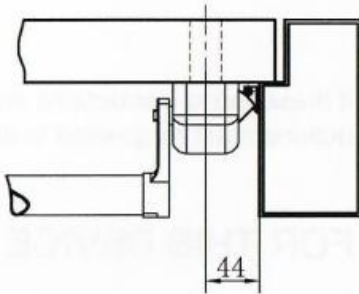
INSTALLATION MANUAL

2. DOOR LAYOUT

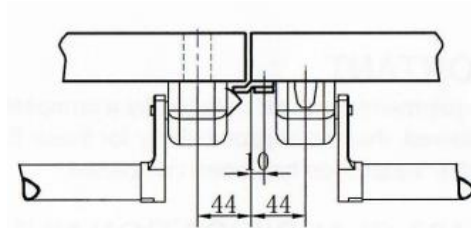
1. Door must be fitted and hung properly before proceeding.
2. Mark vertical CL and horizontal CL on door and frame.

A) Vertical CL

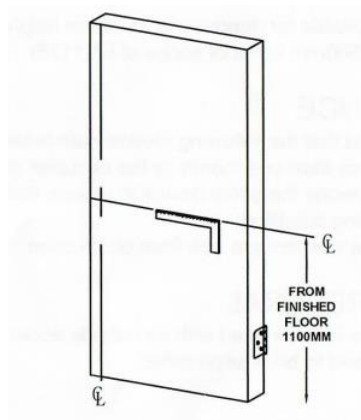
Single Door Application



Double Door Application
Push Device x Vertical Rod



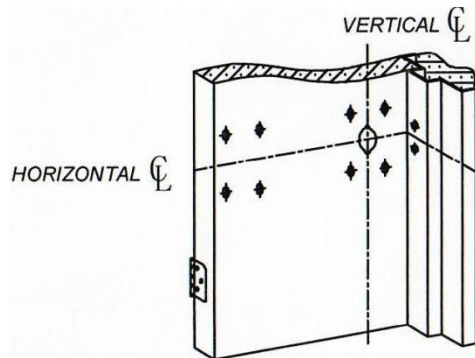
A) Horizontal CL



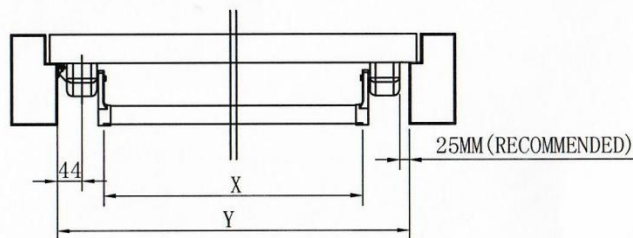
INSTALLATION MANUAL

3. DOOR & HARDWARE PREPARATION

1. Tape drilling template on door using vertical CL and horizontal CL.

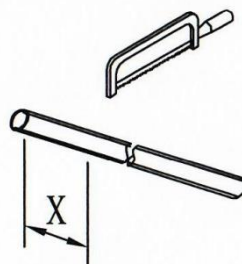


2. Tap holes as required, remove template.
3. If using outside trim, prepare door using separate trim direction sheet.
4. Determine device length.
 - a) The device is fit for the door width from 400mm to 1,000mm
 - b) Measure the door clear width of "Y".
 - c) Length of the push bar to be cut is "X": $X=Y-150$



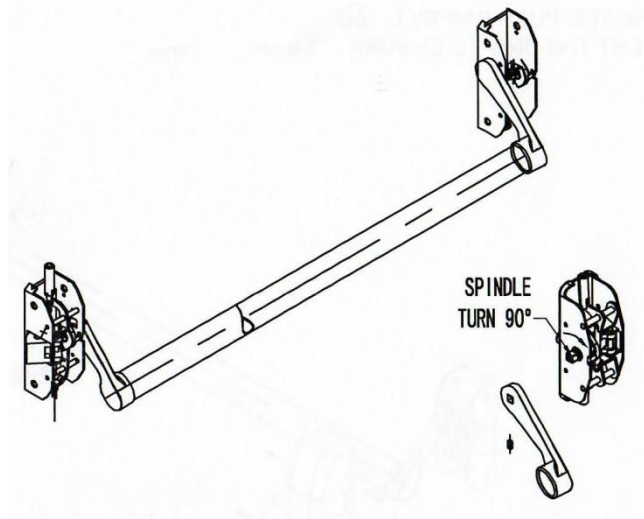
5. If door width is less than 1,000mm, cut push bar.
 - a) Mark the push bar from the end to the length "X".
 - b) Cut the push bar to marked dimension and remove burrs.

Note: Factory recommends sawing rather than grind cut to size. Grinding can damage the finish of the push bar and sawing results in less damage to the push bar's finish.



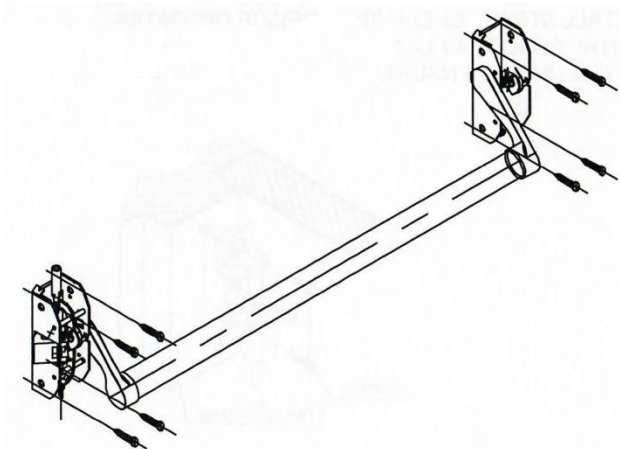
INSTALLATION MANUAL

6. Device for left door and right door
 - a) The standard product is for right door.
 - b) If for left door, remove the screws S1 & S2 that fix the arms.
 - c) Turn the spindle 90°.
 - d) Exchange the arms and fix into the device.
 - e) Put the push bar to connect the arms, but don't fix by screw.



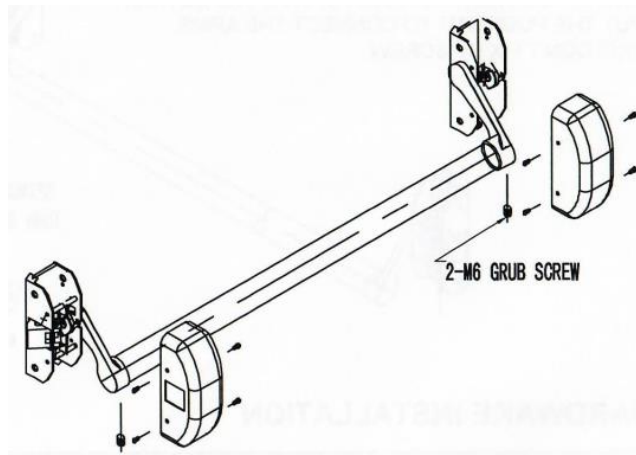
4. HARDWARE INSTALLATION

1. If using outside trim or sex bolts, mount trim per directions in trim box, or install outside sex bolts.
2. Fix the device by sex bolts and through bolt. Test the unit to ensure correct operation.

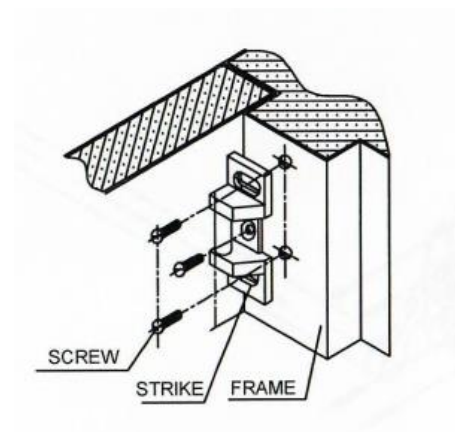


INSTALLATION MANUAL

3. Install the cover.
4. Fix the push bar by grub screw, test the unit to ensure correct operation.



5. Install strike. Check that device operates smoothly and that latch bolt engages securely. Test the unit to ensure correct operation.



PANIC EXIT DEVICE 300 SERIES

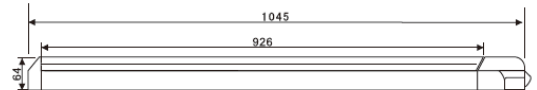
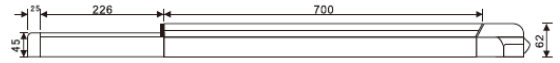
FULL LENGTH TOUCH BAR EXIT DEVICE



302



307



PRODUCT CLASSIFICATION

3	7	6	B	1	4	2	2	B	A
---	---	---	---	---	---	---	---	---	---

300 SERIES

1. CE mark, Fire Rated
2. EN1125 and EN1634 approved
3. None handed
4. Material: Stainless Steel or Steel Powder Coating
5. Different finish is available

FEATURE	302	307
Lock Point	1	2
Touch Bar	Full length of device, 926mm	
Door Style	Single and Double Door	
Max. Door Weight	200 kg	
Dogging Device	Optional	
Security Anti-thrust Latch	Standard	N/A
Door Width	650-1, 389mm	
Door Height	2,133mm	
Door Thickness	50mm	

TOUCH BAR EXIT DEVICE 306

Half Length Touch Bar with Rod



PRODUCT CLASSIFICATION

3	7	6	B	1	4	2	2	B	A
---	---	---	---	---	---	---	---	---	---

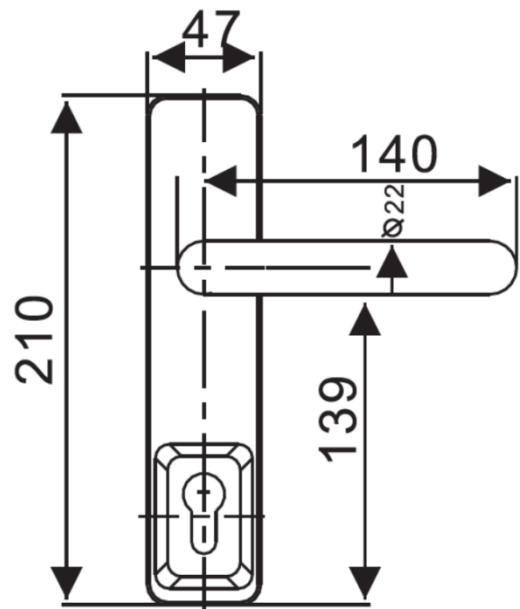
300 SERIES

1. CE mark, Fire Rated
2. EN1125 and EN1634 approved
3. Non handed
4. Material: Stainless Steel or Steel Powder Coating
5. Different finish is available

FEATURE

Lock Point	2
Touch Bar	Half length of device, 700mm
Door Style	Single and Double Door
Max. Door Weight	200 kg
Dogging Device	Optional
Security Anti-thrust Latch	N/A
Door Width	650 - 1,050mm
Door Height	2,133mm
Door Thickness	50mm

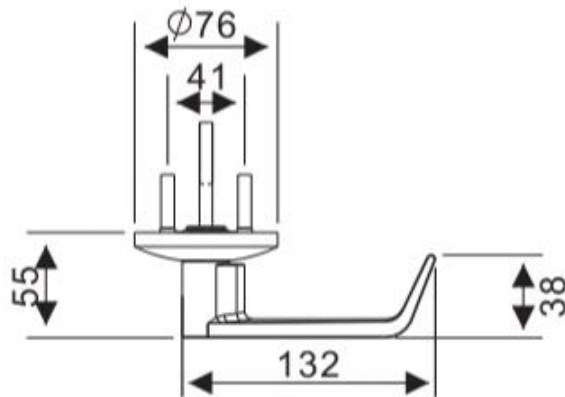
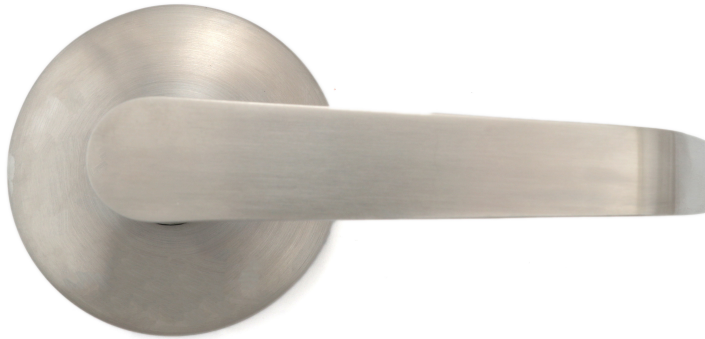
LEVER OPERATED OUTSIDE TRIM UK-0100T



FEATURES

- Description: 210 x 47mm Escutcheon Lever Trim
- Material: Stainless Steel 304
- Finish: SS, PSS, PVD, AB
- Suitable for: Door thickness 45 – 50mm
- Cylinder can be change in site.

LEVER OPERATED OUTSIDE TRIM UK-501OT



FEATURES

- Description: 76mm x 132mm external lever trim without cylinder
- Material: Stainless Steel 304
- Finish: SS, PSS, PVD, AB
- Suitable for: Door thickness 45 – 50mm

DOOR HANDLE

ZINC ALLOY

Square Series



Item No: R07H064
Finish: Yellow Bronze



Item No: R07H064
Finish: Antique Bronze Brushed



Item No: R07H064
Finish: Chrome Plated



Item No: R07H064
Finish: Satin Gold Plated / Gold Plated



Item No: R07H064
Finish: Satin Nickel

OUERA

FEATURES

- Material: Zinc Alloy
- Installation Center Distance: 72/58mm
- Applicable Door Thickness: 45-55mm
- Scope of Application: Entry Door , Access Door, Indoor Door
- Applicable Door Type: Wooden Door, Metal Door

ZINC ALLOY Square Series



Item No: R07H088
Finish: Satin Gold Plated / Gold Plated



Item No: R07H088
Finish: Chrome Plated



Item No: R07H088
Finish: Yellow Bronze



Item No: R07H088
Finish: Satin Nickel / Chrome Plated

URANUS

FEATURES

- Material: Zinc Alloy
- Installation Center Distance: 72/58mm
- Applicable Door Thickness: 45-55mm
- Scope of Application: Entry Door , Access Door, Indoor Door
- Applicable Door Type: Wooden Door, Metal Door

ZINC ALLOY

Square Series



Item No: R12H210
Finish: Satin Nickel



Item No: R12H210
Finish: Chrome Plated



Item No: R12H210
Finish: Matte Satin Chrome

MERCURY

FEATURES

- Material: Zinc Alloy
- Installation Center Distance: 72/58mm
- Applicable Door Thickness: 45-55mm
- Scope of Application: Entry Door , Access Door, Indoor Door
- Applicable Door Type: Wooden Door, Metal Door

ZINC ALLOY Square Series



Item No: R11H233
Finish: Chrome Plated



Item No: R11H233
Finish: Satin Gold Plated / Gold Plated



Item No: R11H233
Finish: Satin Nickel



Item No: R11H233
Finish: 24K Real Gold



Item No: R11H233
Finish: Matte Antique Bronze Brushed



Item No: R11H233
Finish: Physical Vapor Deposition



Item No: R11H233
Finish: Black Aged Bronze

AURORA

FEATURES

- Material: Zinc Alloy
- Installation Center Distance: 72/58mm
- Applicable Door Thickness: 45-55mm
- Scope of Application: Entry Door , Access Door, Indoor Door
- Applicable Door Type: Wooden Door, Metal Door

ZINC ALLOY Square Series



Item No: R07H212
Finish: Black Aged Bronze



Item No: R07H212
Finish: Satin Nickel / Chrome Plated

RHEA

FEATURES

- Material: Zinc Alloy
- Installation Center Distance: 72/58mm
- Applicable Door Thickness: 45-55mm
- Scope of Application: Entry Door , Access Door, Indoor Door
- Applicable Door Type: Wooden Door, Metal Door

ZINC ALLOY

Square Series



LETO

FEATURES

- Material: Zinc Alloy
- Installation Center Distance: 72/58mm
- Applicable Door Thickness: 45-55mm
- Scope of Application: Entry Door , Access Door, Indoor Door
- Applicable Door Type: Wooden Door, Metal Door



Item No: R11H366
Finish: Yellow Bronze



Item No: R11H366
Finish: Chrome Plated



Item No: R11H366
Finish: Black Aged Bronze



Item No: R11H366
Finish: Satin Nickel / Chrome Plated

ZINC ALLOY

Square Series



Item No: R11H236
Finish: Chrome Plated



Item No: R11H236
Finish: 24K Real Gold



Item No: R11H236
Finish: Satin Nickel



Item No: R11H236
Finish: Satin Gold Plated / Gold Plated



Item No: R11H236
Finish: Satin Gold Plated / Gold Plated



Item No: R11H236
Finish: Physical Vapor Deposition



Item No: R11H236
Finish: Black Aged Bronze

VULCAN

FEATURES

- Material: Zinc Alloy
- Installation Center Distance: 72/58mm
- Applicable Door Thickness: 45-55mm
- Scope of Application: Entry Door , Access Door, Indoor Door
- Applicable Door Type: Wooden Door, Metal Door

ZINC ALLOY

Square Series



Item No: R11H206
Finish: Satin Nickel / Gold Plated



Item No: R11H206
Finish: Satin Nickel / Chrome Plated



Item No: R11H206
Finish: Yellow Bronze



Item No: R11H206
Finish: Chrome Plated



Item No: R11H206
Finish: Black Aged Bronze

THEA

FEATURES

- Material: Zinc Alloy
- Installation Center Distance: 72/58mm
- Applicable Door Thickness: 45-55mm
- Scope of Application: Entry Door , Access Door, Indoor Door
- Applicable Door Type: Wooden Door, Metal Door

ZINC ALLOY Square Series



Item No: R11H209
Finish: Black Aged Bronze



Item No: R11H209
Finish: Chrome Pated



Item No: R11H209
Finish: Satin Nickel / Chrome Pated



Item No: R11H209
Finish: Yellow Bronze

METIS

FEATURES

- Material: Zinc Alloy
- Installation Center Distance: 72/58mm
- Applicable Door Thickness: 45-55mm
- Scope of Application: Entry Door , Access Door, Indoor Door
- Applicable Door Type: Wooden Door, Metal Door

ZINC ALLOY Square Series



Item No: R11H211
Finish: Satin Nickel



Item No: R11H211
Finish: Yellow Bronze



Item No: R11H211
Finish: Chrome Plated

HYPERION

FEATURES

- Material: Zinc Alloy
- Installation Center Distance: 72/58mm
- Applicable Door Thickness: 45-55mm
- Scope of Application: Entry Door , Access Door, Indoor Door
- Applicable Door Type: Wooden Door, Metal Door

ZINC ALLOY Square Series



Item No: R11H213
Finish: Chrome Plated



Item No: R11H213
Finish: Black Aged Bronze



Item No: R11H213
Finish: Satin Nickel

ATLAS

FEATURES

- Material: Zinc Alloy
- Installation Center Distance: 72/58mm
- Applicable Door Thickness: 45-55mm
- Scope of Application: Entry Door , Access Door, Indoor Door
- Applicable Door Type: Wooden Door, Metal Door

ZINC ALLOY Square Series



Item No: R11H290
Finish: Satin Nickel / Chrome Plated



Item No: R11H290
Finish: Satin Gold Plated / Gold Plated



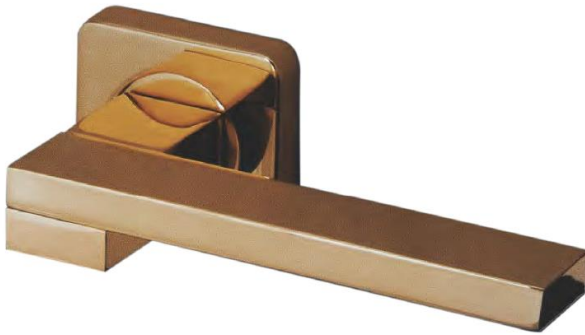
Item No: R11H290
Finish: Chrome Plated

ORBIS

FEATURES

- Material: Zinc Alloy
- Installation Center Distance: 72/58mm
- Applicable Door Thickness: 45-55mm
- Scope of Application: Entry Door , Access Door, Indoor Door
- Applicable Door Type: Wooden Door, Metal Door

ZINC ALLOY Square Series



Item No: R11H286
Finish: Gold Plated



Item No: R11H286
Finish: Satin Nickel



Item No: R11H286
Finish: Satin Gold Plated / Gold Plated



Item No: R11H286
Finish: Chrome Plated

SENA

FEATURES

- Material: Zinc Alloy
- Installation Center Distance: 72/58mm
- Applicable Door Thickness: 45-55mm
- Scope of Application: Entry Door , Access Door, Indoor Door
- Applicable Door Type: Wooden Door, Metal Door

ZINC ALLOY

Rosette Series



Item No: R14HD39
Finish: WAB



Item No: R14HD39
Finish: Gold Plated / Chrome Plated



Item No: R14HD39
Finish: Satin Nickel / Chrome Plated



Item No: R14HD39
Finish: Gold Plated



Item No: R14HD39
Finish: Antique Bronze Brushed / Gold Plated



Item No: R14HD39
Finish: Yellow Bronze

LARES

FEATURES

- Material: Zinc Alloy
- Installation Center Distance: 72/58mm
- Applicable Door Thickness: 45-55mm
- Scope of Application: Entry Door , Access Door, Indoor Door
- Applicable Door Type: Wooden Door, Metal Door

ZINC ALLOY Rosette Series



Item No: R14H147
Finish: Satin Nickel / Chrome Plated



Item No: R14H147
Finish: Satin Gold Plated / Gold Plated

MUSA

FEATURES

- Material: Zinc Alloy
- Installation Center Distance: 72/58mm
- Applicable Door Thickness: 45-55mm
- Scope of Application: Entry Door , Access Door, Indoor Door
- Applicable Door Type: Wooden Door, Metal Door

ZINC ALLOY

Rosette Series



Item No: R14H085
Finish: Satin Nickel / Chrome Plated



Item No: R14H085
Finish: Gold Plated / Chrome Plated



Item No: R14H085
Finish: Antique Bronze Brushed/Gold Plated



Item No: R14H085
Finish: Satin Gold Plated/Gold Plated



Item No: R14H085
Finish: Yellow Bronze



Item No: R14H085
Finish: Satin Gold Plated / Chrome Plated

SIMOIS

FEATURES

- Material: Zinc Alloy
- Installation Center Distance: 72/58mm
- Applicable Door Thickness: 45-55mm
- Scope of Application: Entry Door , Access Door, Indoor Door
- Applicable Door Type: Wooden Door, Metal Door

ZINC ALLOY

Rosette Series



Item No: R14H020
Finish: Antique Bronze Brushed



Item No: R14H020
Finish: Yellow Bronze



Item No: R14H020
Finish: Satin Gold Plated / Gold Plated



Item No: R14H020
Finish: Satin Nickel / Chrome Plated



Item No: R14H020
Finish: 24K Real Gold



Item No: R14H020
Finish: Gold Plated / Chrome Plated



Item No: R14H020
Finish: Chrome Plated

HEMERA

FEATURES

- Material: Zinc Alloy
- Installation Center Distance: 72/58mm
- Applicable Door Thickness: 45-55mm
- Scope of Application: Entry Door , Access Door, Indoor Door
- Applicable Door Type: Wooden Door, Metal Door

ZINC ALLOY

Rosette Series



OPS

FEATURES

- Material: Zinc Alloy
- Installation Center Distance: 72/58mm
- Applicable Door Thickness: 45-55mm
- Scope of Application: Entry Door , Access Door, Indoor Door
- Applicable Door Type: Wooden Door, Metal Door



Item No: R14H159
Finish: Chrome Plated



Item No: R14H159
Finish: Satin Gold Plated / Gold Plated



Item No: R14H159
Finish: Antique Bronze Brushed/Gold Plated



Item No: R14H159
Finish: Satin Nickel / Chrome Plated



Item No: R14H159
Finish: Satin Gold Plated / Chrome Plated



Item No: R14H159
Finish: Gold Plated / Chrome Plated



Item No: R14H159
Finish: WAB



Item No: R14H159
Finish: Black Aged Bronze

ZINC ALLOY

Rosette Series



THALO

FEATURES

- Material: Zinc Alloy
- Installation Center Distance: 72/58mm
- Applicable Door Thickness: 45-55mm
- Scope of Application: Entry Door , Access Door, Indoor Door
- Applicable Door Type: Wooden Door, Metal Door



Item No: R14H009L
Finish: Satin Gold Plated / Chrome Plated



Item No: R14H009L
Finish: Satin Gold Plated / Gold Plated



Item No: R14H009L
Finish: Satin Nickel / Chrome Plated



Item No: R14H009L
Finish: WAB



Item No: R14H009L
Finish: Satin Gold Plated / Chrome Plated



Item No: R14H009L
Finish: Gold Plated / Satin Gold Plated



Item No: R14H009L
Finish: Chrome Plated



Item No: R14H009L
Finish: Gold Plated / Chrome Plated



Item No: R14H009L
Finish: Antique Bronze Brushed/Gold Plated

ZINC ALLOY Rosette Series



Item No: R14H085
Finish: WAB



Item No: R14H085
Finish: Satin Gold Plated / Gold Plated



Item No: R14H085
Finish: Satin Nickel / Chrome Plated

GIANT

FEATURES

- Material: Zinc Alloy
- Installation Center Distance: 72/58mm
- Applicable Door Thickness: 45-55mm
- Scope of Application: Entry Door , Access Door, Indoor Door
- Applicable Door Type: Wooden Door, Metal Door

ZINC ALLOY

Rosette Series



Item No: R14HD40
Finish: Satin Nickel / Chrome Plated



Item No: R14HD40
Finish: Gold Plated / Satin Gold Plated



Item No: R14HD40
Finish: Antique Bronze Brushed/Gold Plated



Item No: R14HD40
Finish: Gold Plated / Chrome Plated



Item No: R14HD40
Finish: Satin Nickel



Item No: R14HD40
Finish: Satin Gold Plated / Gold Plated

TITON

FEATURES

- Material: Zinc Alloy
- Installation Center Distance: 72/58mm
- Applicable Door Thickness: 45-55mm
- Scope of Application: Entry Door , Access Door, Indoor Door
- Applicable Door Type: Wooden Door, Metal Door

ZINC ALLOY

Rosette Series



Item No: R14HD143
Finish: Chrome Plated



Item No: R14HD143
Finish: Satin Gold Plated / Chrome Plated



Item No: R14HD143
Finish: Satin Nickel / Chrome Plated



Item No: R14HD143
Finish: Yellow Bronze



Item No: R14HD143
Finish: Gold Plated / Chrome Plated

ANDROMEDA

FEATURES

- Material: Zinc Alloy
- Installation Center Distance: 72/58mm
- Applicable Door Thickness: 45-55mm
- Scope of Application: Entry Door , Access Door, Indoor Door
- Applicable Door Type: Wooden Door, Metal Door

Accessories Series

Material: Zinc Alloy

PS ITEMS (R14 Key Hole)



Item No: PS-1
Finish: GP/SG



Item No: PS-1
Finish: GP/CP



Item No: PS-1
Finish: SG/GP



Item No: PS-1
Finish: SG/CP



Item No: PS-1
Finish: SN/CP



Item No: PS-1
Finish: AB/GP

ET ITEMS (R14 Cylinder Hole)



Item No: ET-1
Finish: GP/SG



Item No: ET-1
Finish: AWN



Item No: ET-1
Finish: SG/GP



Item No: ET-1
Finish: SG/CP



Item No: ET-1
Finish: CP



Item No: ET-1
Finish: SN/CP



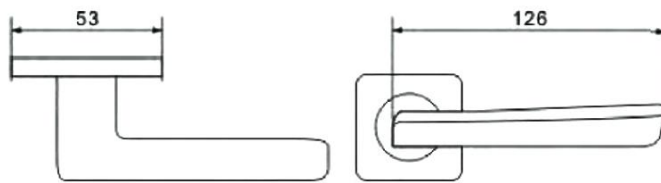
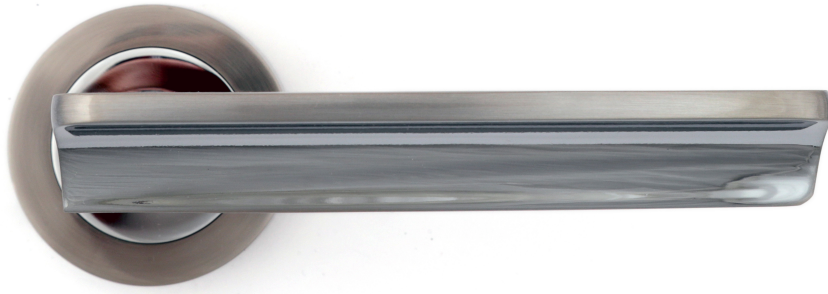
Item No: ET-1
Finish: AB/GP



Item No: ET-1
Finish: WAB

LEVER HANDLE

UK-R03H206

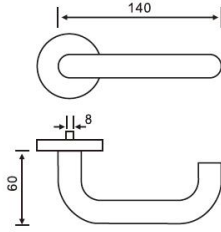


FEATURES	
• Material: SS 304	• Suitable Thickness: 45-55mm
• Finish: SN/CP	• Handle Size: 126 x 53mm
• Spindle: 8 x 8 x 100mm	• Key Escutcheon: 53mm x 10mm

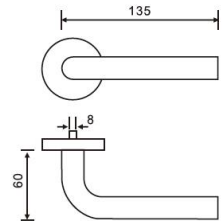
STAINLESS STEEL



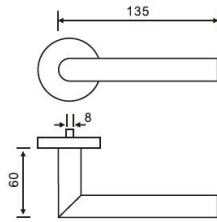
UK-S-LH.881
Safety Lever Handle



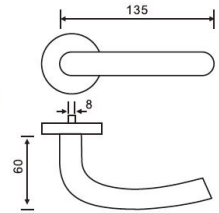
UK-S-LH.882
Straight Lever Handle



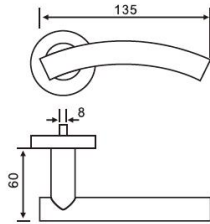
UK-S-LH.883
Mitred Lever Handle



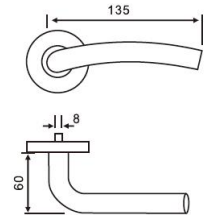
UK-S-LH.884



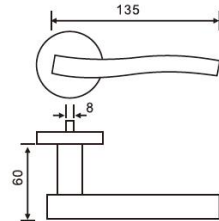
UK-S-LH.885



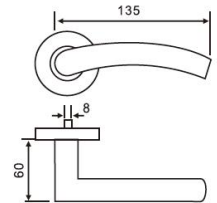
UK-S-LH.886



UK-S-LH.887



UK-S-LH.888



FEATURES

- Material: Stainless Steel 201 / 304 / 316
- Diameter: 16 / 19 / 20 / 22mm
- Spindle: 8x8 / 7x7 6x6mm
- Finish: SSS, PSS, PVD, AB, AC
- Applicable for Door Thickness: 35 – 55mm
- Concealed fixings
- Spring Assisted Chassis
- Same lever design with multiple escutcheons and functions to suit different applications

OPTIONAL VERSION



DDES001



DDES004



DDES005



DDES006

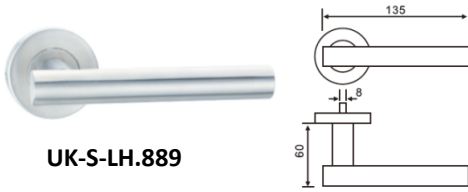


DDES009

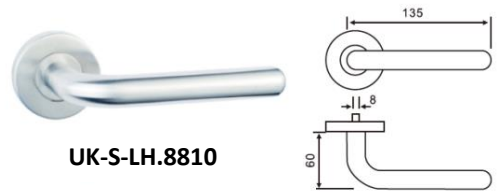


DDES010

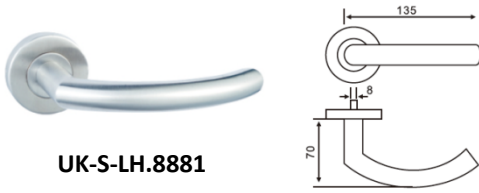
STAINLESS STEEL



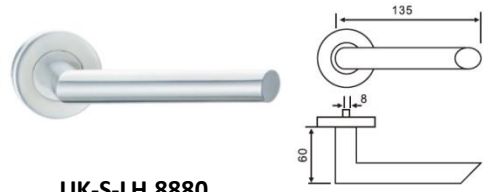
UK-S-LH.889



UK-S-LH.8810



UK-S-LH.8881



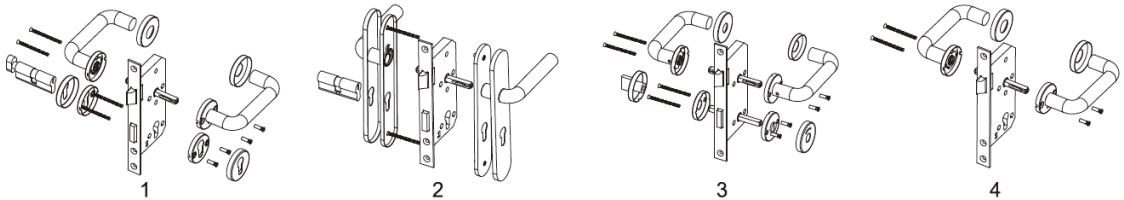
UK-S-LH.8880

FEATURES

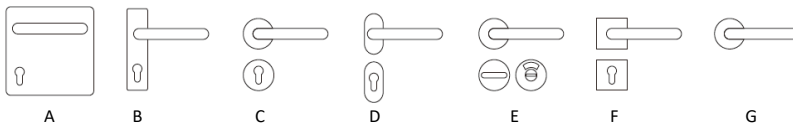
- | | |
|---|--|
| <ul style="list-style-type: none"> Material: Stainless Steel 201 / 304 / 316 Diameter: 16 / 19 / 20 / 22mm Spindle: 8x8 / 7x7 6x6mm Finish: SSS, PSS, PVD, AB, AC | <ul style="list-style-type: none"> Applicable for Door Thickness: 35 – 55mm Concealed fixings Spring Assisted Chassis Same lever design with multiple escutcheons and functions to suit different applications |
|---|--|

APPLICATION

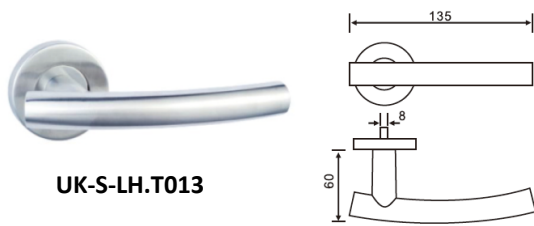
DOORS		PROJECTS	
<ul style="list-style-type: none"> Wooden Doors Steel Doors Office Doors 	<ul style="list-style-type: none"> Hollow Metal Doors Aluminum Doors Fire-Rated Doors 	<ul style="list-style-type: none"> Stadium Academic Mixed-use 	<ul style="list-style-type: none"> Hotels Airports Residential Buildings



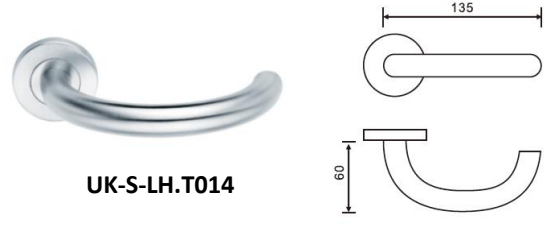
OPTIONAL VERSION



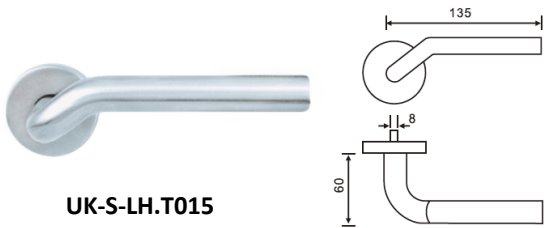
STAINLESS STEEL



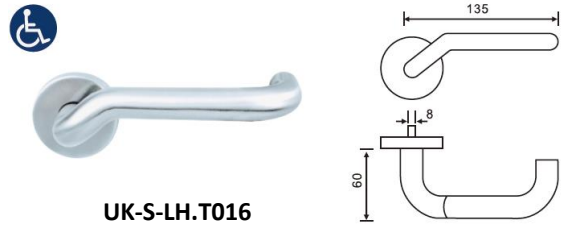
UK-S-LH.T013



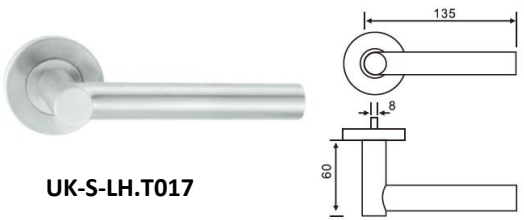
UK-S-LH.T014



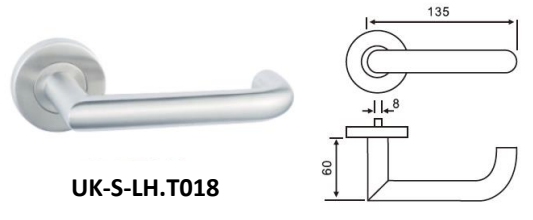
UK-S-LH.T015



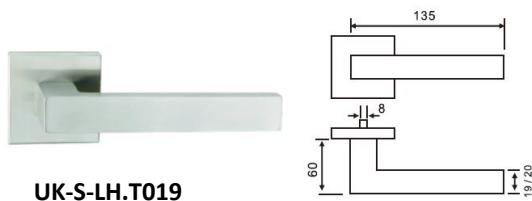
UK-S-LH.T016



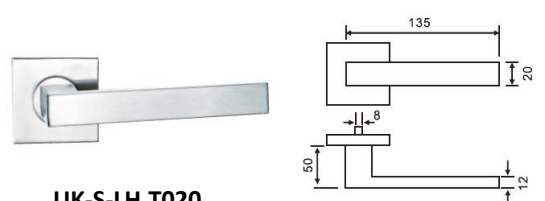
UK-S-LH.T017



UK-S-LH.T018



UK-S-LH.T019



UK-S-LH.T020

FEATURES

- Material: Stainless Steel 201 / 304 / 316
- Diameter: 16 / 19 / 20 / 22mm
- Spindle: 8x8 / 7x7 6x6mm
- Finish: SSS, PSS, PVD, AB, AC
- Applicable for Door Thickness: 35 – 55mm
- Concealed fixings
- Spring Assisted Chassis
- Same lever design with multiple escutcheons and functions to suit different applications

OPTIONAL VERSION



DDES001



DDES004



DDES005



DDES006

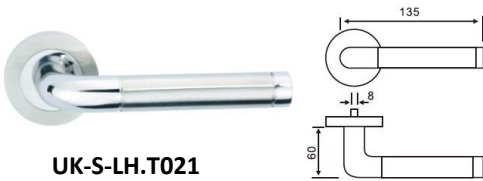


DDES009

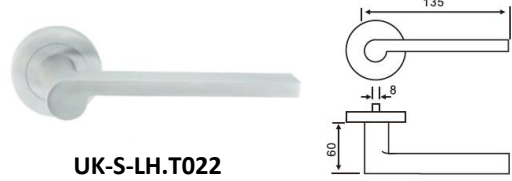


DDES010

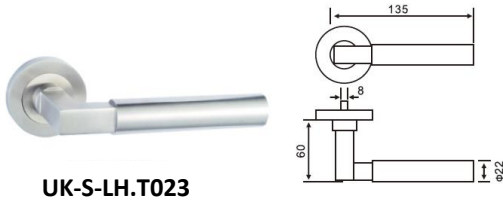
STAINLESS STEEL



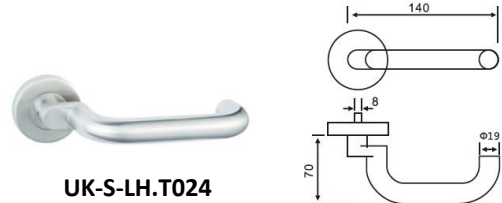
UK-S-LH.T021



UK-S-LH.T022



UK-S-LH.T023



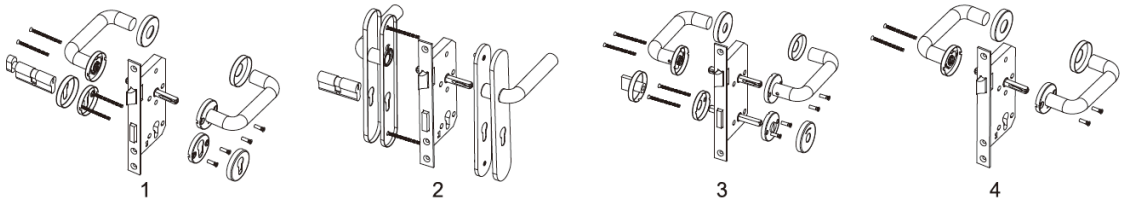
UK-S-LH.T024

FEATURES

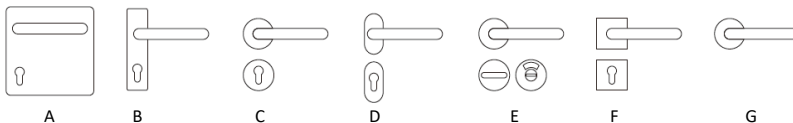
- | | |
|---|--|
| <ul style="list-style-type: none"> Material: Stainless Steel 201 / 304 / 316 Diameter: 16 / 19 / 20 / 22mm Spindle: 8x8 / 7x7 6x6mm Finish: SSS, PSS, PVD, AB, AC | <ul style="list-style-type: none"> Applicable for Door Thickness: 35 – 55mm Concealed fixings Spring Assisted Chassis Same lever design with multiple escutcheons and functions to suit different applications |
|---|--|

APPLICATION

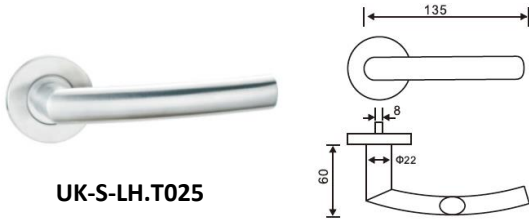
DOORS		PROJECTS	
<ul style="list-style-type: none"> Wooden Doors Steel Doors Office Doors 	<ul style="list-style-type: none"> Hollow Metal Doors Aluminum Doors Fire-Rated Doors 	<ul style="list-style-type: none"> Stadium Academic Mixed-use 	<ul style="list-style-type: none"> Hotels Airports Residential Buildings



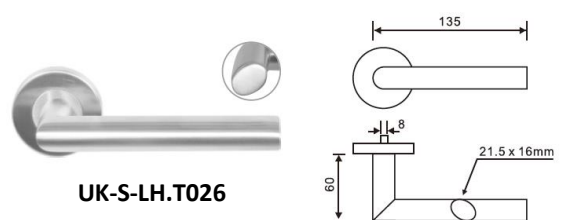
OPTIONAL VERSION



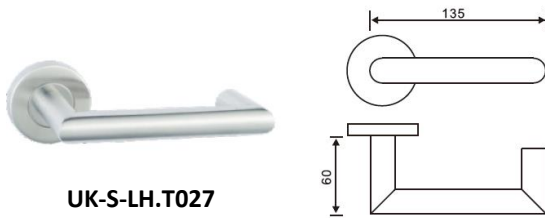
STAINLESS STEEL



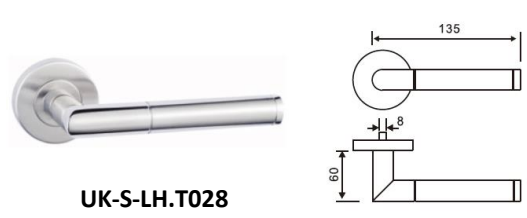
UK-S-LH.T025



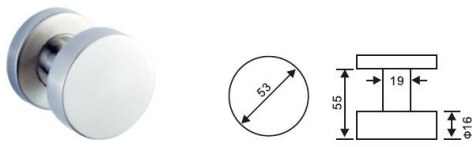
UK-S-LH.T026



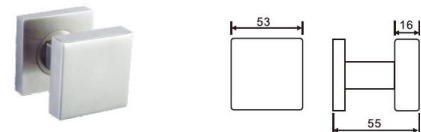
UK-S-LH.T027



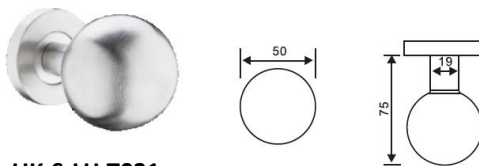
UK-S-LH.T028



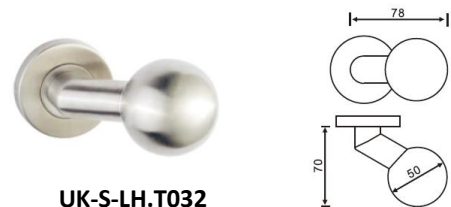
UK-S-LH.T029



UK-S-LH.T030



UK-S-LH.T031



UK-S-LH.T032

FEATURES

- Material: Stainless Steel 201 / 304 / 316
- Diameter: 16 / 19 / 20 / 22mm
- Spindle: 8x8 / 7x7 6x6mm
- Finish: SSS, PSS, PVD, AB, AC
- Applicable for Door Thickness: 35 – 55mm
- Concealed fixings
- Spring Assisted Chassis
- Same lever design with multiple escutcheons and functions to suit different applications

OPTIONAL VERSION



DDES001



DDES004



DDES005



DDES006

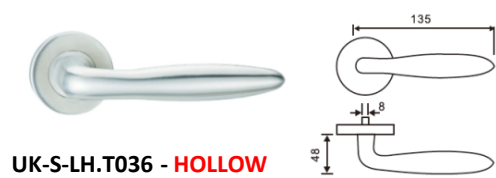
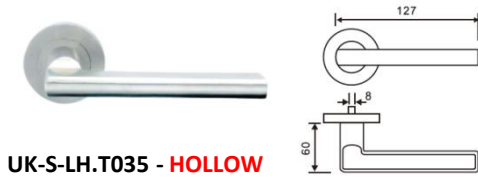
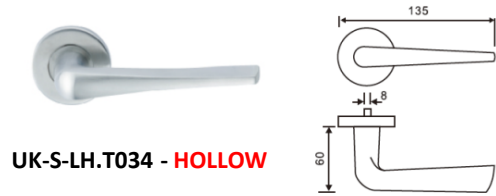
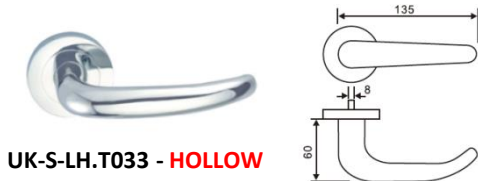


DDES009



DDES010

STAINLESS STEEL

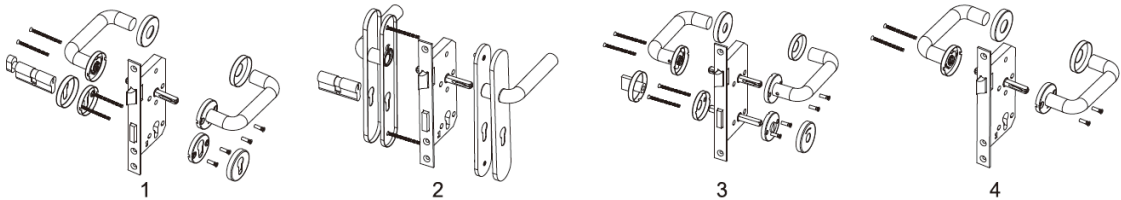


FEATURES

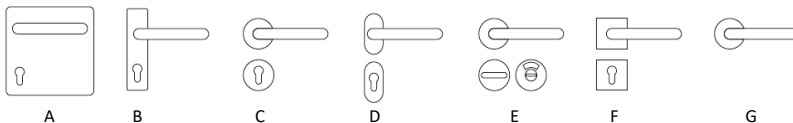
- | | |
|---|--|
| <ul style="list-style-type: none"> Material: Stainless Steel 201 / 304 / 316 Diameter: 16 / 19 / 20 / 22mm Spindle: 8x8 / 7x7 6x6mm Finish: SSS, PSS, PVD, AB, AC | <ul style="list-style-type: none"> Applicable for Door Thickness: 35 – 55mm Concealed fixings Spring Assisted Chassis Same lever design with multiple escutcheons and functions to suit different applications |
|---|--|

APPLICATION

DOORS		PROJECTS	
<ul style="list-style-type: none"> Wooden Doors Steel Doors Office Doors 	<ul style="list-style-type: none"> Hollow Metal Doors Aluminum Doors Fire-Rated Doors 	<ul style="list-style-type: none"> Stadium Academic Mixed-use 	<ul style="list-style-type: none"> Hotels Airports Residential Buildings



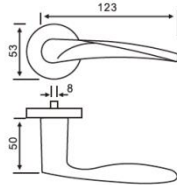
OPTIONAL VERSION



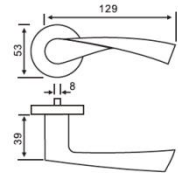
STAINLESS STEEL



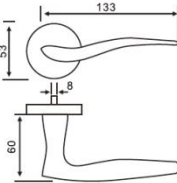
UK-S-LH.S001



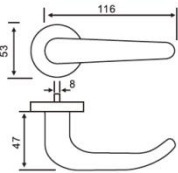
UK-S-LH.S002



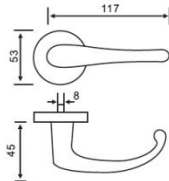
UK-S-LH.S003



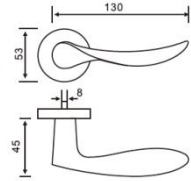
UK-S-LH.S004



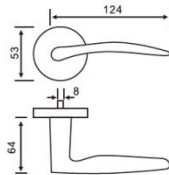
UK-S-LH.S005



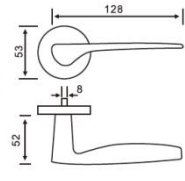
UK-S-LH.S006



UK-S-LH.S007



UK-S-LH.S008



FEATURES

- | | |
|---|--|
| <ul style="list-style-type: none"> Material: Stainless Steel 304 / 316 | <ul style="list-style-type: none"> Applicable for Door Thickness: 35 – 55mm |
| <ul style="list-style-type: none"> Rosette Type: Clip on / Thread Type | <ul style="list-style-type: none"> Concealed fixings |
| <ul style="list-style-type: none"> Spindle: 8x8 / 7x7 6x6mm | <ul style="list-style-type: none"> Spring Assisted Chassis |
| <ul style="list-style-type: none"> Finish: SSS, PSS, PVD, AB, AC | <ul style="list-style-type: none"> Same lever design with multiple escutcheons and functions to suit different applications |

OPTIONAL VERSION



DDES001



DDES004



DDES005



DDES008
Thread Type



DDES009

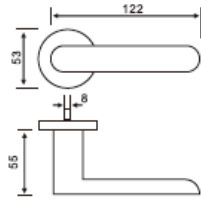


DDES011
Thread Type

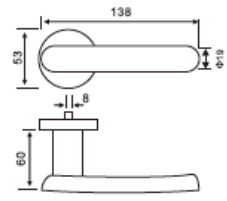
STAINLESS STEEL



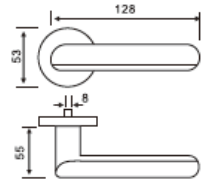
UK-S-LH.S009



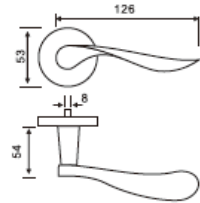
UK-S-LH.S010



UK-S-LH.S011



UK-S-LH.S012



FEATURES

- Material: Stainless Steel 304 / 316
- Rosette Type: Clip on / Thread Type
- Spindle: 8x8 / 7x7 6x6mm
- Finish: SSS, PSS, PVD, AB, AC
- Applicable for Door Thickness: 35 – 55mm
- Concealed fixings
- Spring Assisted Chassis
- Same lever design with multiple escutcheons and functions to suit different applications

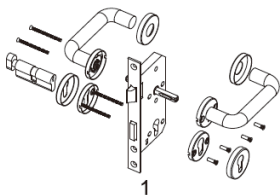
APPLICATION

DOORS

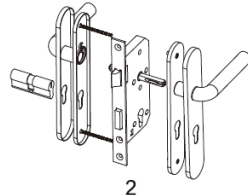
- Wooden Doors
- Steel Doors
- Office Doors
- Hollow Metal Doors
- Aluminum Doors
- Fire-Rated Doors

PROJECTS

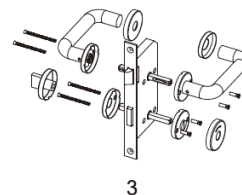
- Stadium
- Academic
- Mixed-use
- Hotels
- Airports
- Residential Buildings



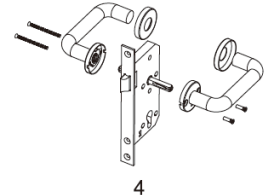
1



2



3



4

OPTIONAL VERSION



A



B



C



D



E



F

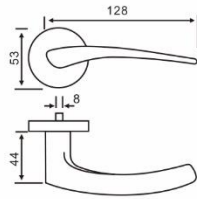


G

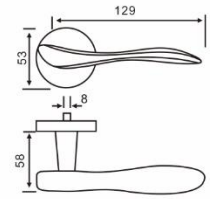
STAINLESS STEEL



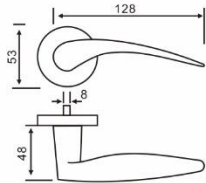
UK-S-LH.S013



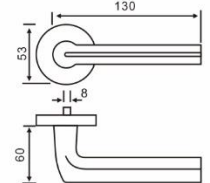
UK-S-LH.S014



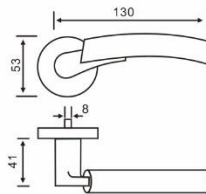
UK-S-LH.S015



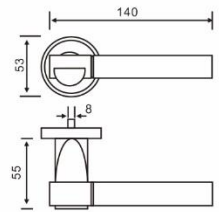
UK-S-LH.S016



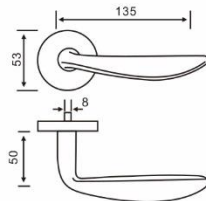
UK-S-LH.S017



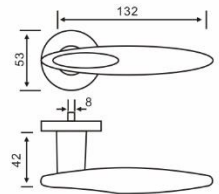
UK-S-LH.S018



UK-S-LH.S019



UK-S-LH.S020



FEATURES

- Material: Stainless Steel 304 / 316
- Rosette Type: Clip on / Thread Type
- Spindle: 8x8 / 7x7 6x6mm
- Finish: SSS, PSS, PVD, AB, AC
- Applicable for Door Thickness: 35 – 55mm
- Concealed fixings
- Spring Assisted Chassis
- Same lever design with multiple escutcheons and functions to suit different applications

OPTIONAL VERSION



DDES001



DDES004



DDES005



DDES008
Thread Type



DDES009

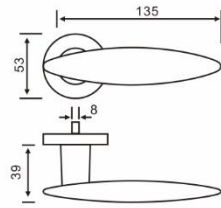


DDES011
Thread Type

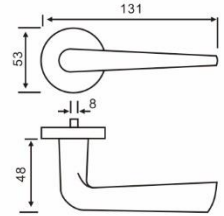
STAINLESS STEEL



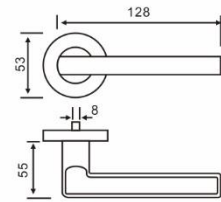
UK-S-LH.S021



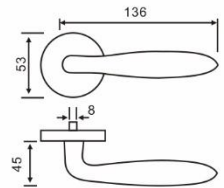
UK-S-LH.S022



UK-S-LH.S023

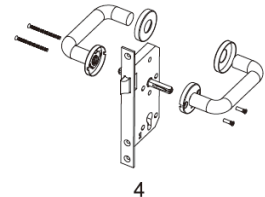
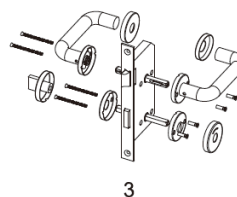
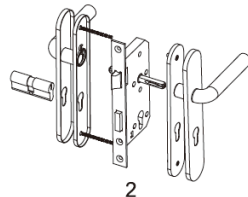
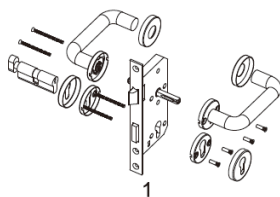


UK-S-LH.S024



FEATURES	
<ul style="list-style-type: none"> Material: Stainless Steel 304 / 316 	<ul style="list-style-type: none"> Applicable for Door Thickness: 35 – 55mm
<ul style="list-style-type: none"> Rosette Type: Clip on / Thread Type 	<ul style="list-style-type: none"> Concealed fixings
<ul style="list-style-type: none"> Spindle: 8x8 / 7x7 6x6mm 	<ul style="list-style-type: none"> Spring Assisted Chassis
<ul style="list-style-type: none"> Finish: SSS, PSS, PVD, AB, AC 	<ul style="list-style-type: none"> Same lever design with multiple escutcheons and functions to suit different applications

APPLICATION			
DOORS		PROJECTS	
<ul style="list-style-type: none"> Wooden Doors 	<ul style="list-style-type: none"> Hollow Metal Doors 	<ul style="list-style-type: none"> Stadium 	<ul style="list-style-type: none"> Hotels
<ul style="list-style-type: none"> Steel Doors 	<ul style="list-style-type: none"> Aluminum Doors 	<ul style="list-style-type: none"> Academic 	<ul style="list-style-type: none"> Airports
<ul style="list-style-type: none"> Office Doors 	<ul style="list-style-type: none"> Fire-Rated Doors 	<ul style="list-style-type: none"> Mixed-use 	<ul style="list-style-type: none"> Residential Buildings



OPTIONAL VERSION



A



B



C



D



E



F

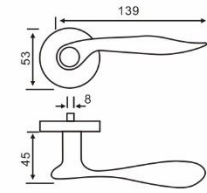


G

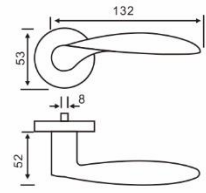
STAINLESS STEEL



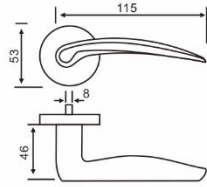
UK-S-LH.S025



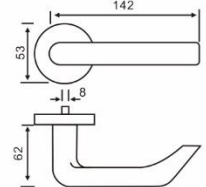
UK-S-LH.S026



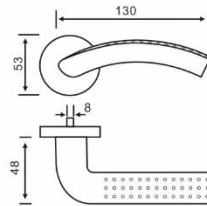
UK-S-LH.S027



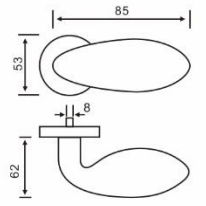
UK-S-LH.S028



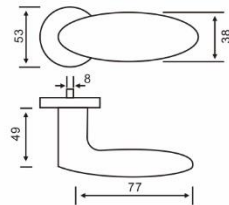
UK-S-LH.S029



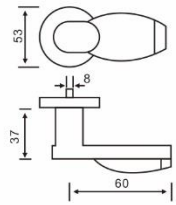
UK-S-LH.S030



UK-S-LH.S031



UK-S-LH.S032



FEATURES

- Material: Stainless Steel 304 / 316
- Rosette Type: Clip on / Thread Type
- Spindle: 8x8 / 7x7 6x6mm
- Finish: SSS, PSS, PVD, AB, AC
- Applicable for Door Thickness: 35 – 55mm
- Concealed fixings
- Spring Assisted Chassis
- Same lever design with multiple escutcheons and functions to suit different applications

OPTIONAL VERSION



DDES001



DDES004



DDES005



DDES008
Thread Type

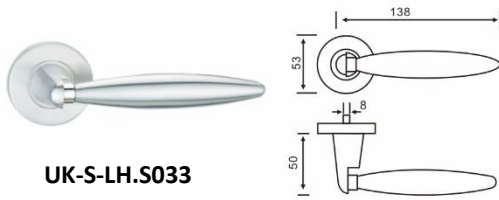


DDES009

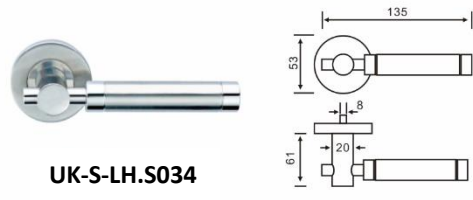


DDES011
Thread Type

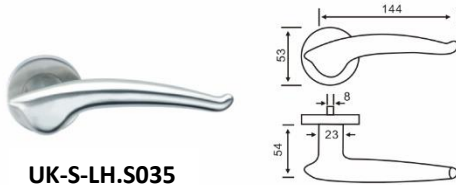
STAINLESS STEEL



UK-S-LH.S033



UK-S-LH.S034



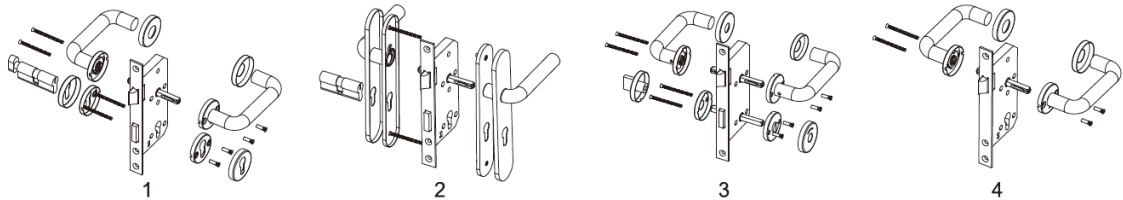
UK-S-LH.S035



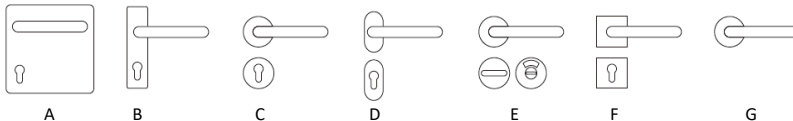
UK-S-LH.S036

FEATURES	
<ul style="list-style-type: none"> Material: Stainless Steel 304 / 316 	<ul style="list-style-type: none"> Applicable for Door Thickness: 35 – 55mm
<ul style="list-style-type: none"> Rosette Type: Clip on / Thread Type 	<ul style="list-style-type: none"> Concealed fixings
<ul style="list-style-type: none"> Spindle: 8x8 / 7x7 6x6mm 	<ul style="list-style-type: none"> Spring Assisted Chassis
<ul style="list-style-type: none"> Finish: SSS, PSS, PVD, AB, AC 	<ul style="list-style-type: none"> Same lever design with multiple escutcheons and functions to suit different applications

APPLICATION			
DOORS		PROJECTS	
<ul style="list-style-type: none"> Wooden Doors 	<ul style="list-style-type: none"> Hollow Metal Doors 	<ul style="list-style-type: none"> Stadium 	<ul style="list-style-type: none"> Hotels
<ul style="list-style-type: none"> Steel Doors 	<ul style="list-style-type: none"> Aluminum Doors 	<ul style="list-style-type: none"> Academic 	<ul style="list-style-type: none"> Airports
<ul style="list-style-type: none"> Office Doors 	<ul style="list-style-type: none"> Fire-Rated Doors 	<ul style="list-style-type: none"> Mixed-use 	<ul style="list-style-type: none"> Residential Buildings



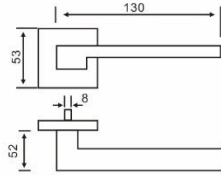
OPTIONAL VERSION



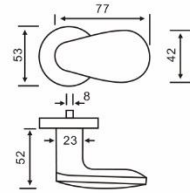
STAINLESS STEEL



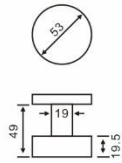
UK-S-LH.S037



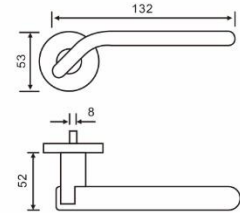
UK-S-LH.S038



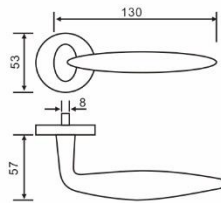
UK-S-LH.S039



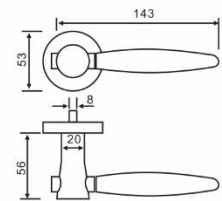
UK-S-LH.S040



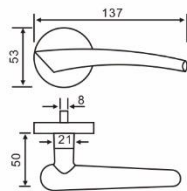
UK-S-LH.S041



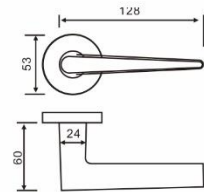
UK-S-LH.S042



UK-S-LH.S043



UK-S-LH.S044



FEATURES

- Material: Stainless Steel 304 / 316
- Rosette Type: Clip on / Thread Type
- Spindle: 8x8 / 7x7 6x6mm
- Finish: SSS, PSS, PVD, AB, AC
- Applicable for Door Thickness: 35 – 55mm
- Concealed fixings
- Spring Assisted Chassis
- Same lever design with multiple escutcheons and functions to suit different applications

OPTIONAL VERSION



DDES001



DDES004



DDES005



DDES008
Thread Type

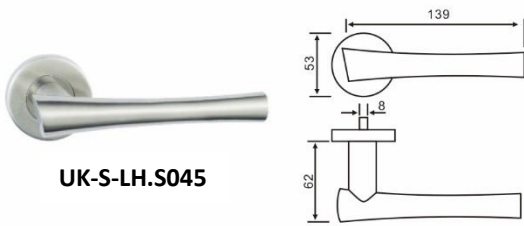


DDES009

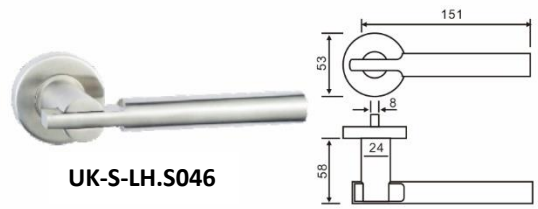


DDES011
Thread Type

STAINLESS STEEL



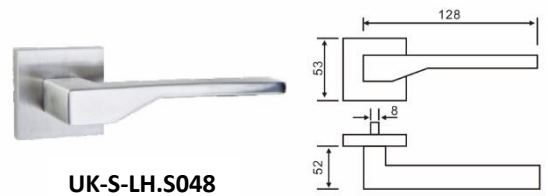
UK-S-LH.S045



UK-S-LH.S046



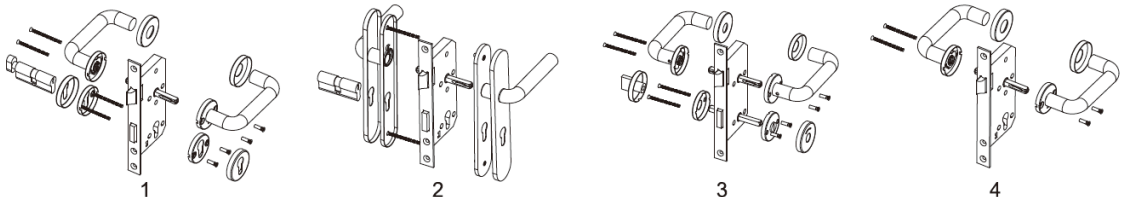
UK-S-LH.S047



UK-S-LH.S048

FEATURES	
<ul style="list-style-type: none"> Material: Stainless Steel 304 / 316 	<ul style="list-style-type: none"> Applicable for Door Thickness: 35 – 55mm
<ul style="list-style-type: none"> Rosette Type: Clip on / Thread Type 	<ul style="list-style-type: none"> Concealed fixings
<ul style="list-style-type: none"> Spindle: 8x8 / 7x7 6x6mm 	<ul style="list-style-type: none"> Spring Assisted Chassis
<ul style="list-style-type: none"> Finish: SSS, PSS, PVD, AB, AC 	<ul style="list-style-type: none"> Same lever design with multiple escutcheons and functions to suit different applications

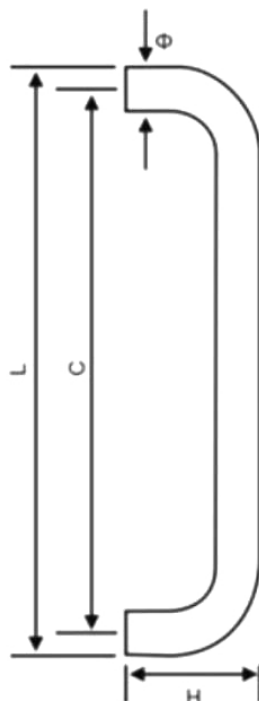
APPLICATION			
DOORS		PROJECTS	
<ul style="list-style-type: none"> Wooden Doors 	<ul style="list-style-type: none"> Hollow Metal Doors 	<ul style="list-style-type: none"> Stadium 	<ul style="list-style-type: none"> Hotels
<ul style="list-style-type: none"> Steel Doors 	<ul style="list-style-type: none"> Aluminum Doors 	<ul style="list-style-type: none"> Academic 	<ul style="list-style-type: none"> Airports
<ul style="list-style-type: none"> Office Doors 	<ul style="list-style-type: none"> Fire-Rated Doors 	<ul style="list-style-type: none"> Mixed-use 	<ul style="list-style-type: none"> Residential Buildings



OPTIONAL VERSION						
A	B	C	D	E	F	G

PULL HANDLE

I ?!\$\$+D< `

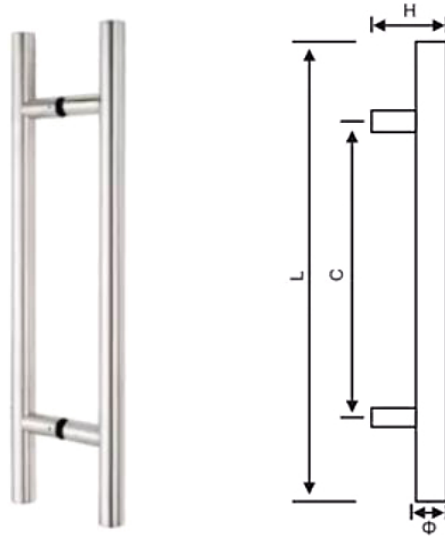


FEATURES

- Handle Size: Please refer to size table.
- Applicable to wooden door & glass door
- Material: SSS 304
- Finish: SSS

Art No.:	Ø	C	L	H
A	19	150	169	60
B	19	225	245	60
C	19	300	319	60
D	22	300	322	65
E	25	300	325	80
F	25	600	625	80
G	32	450	482	80
H	32	600	632	80

PULL HANDLE STAINLESS STEEL



UK-00701

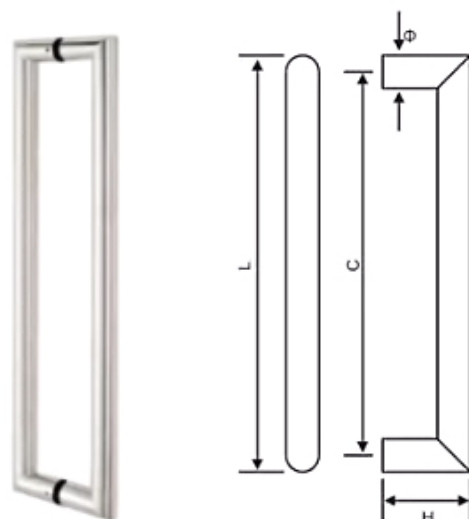
T Bar Pull Handle

Art No.:	∅	C	L	H
A	22	200	300	65
B	25	300	450	80
C	25	450	600	80
D	25	600	800	80
E	30	450	600	80
F	30	600	800	80
G	32	600	800	80
H	32	700	1000	80
I	38	1200	1500	85

FEATURES

- Material: Stainless Steel 304 / 316
- Back to back fixing, Bolt through fixing
- Thickness: 1.0mm, 1.2mm, 1.5mm
- Finish: SSS, PSS, PVD, AB, AC
- For Glass Door, Timber Door, Metal Door

PULL HANDLE STAINLESS STEEL



UK-00702

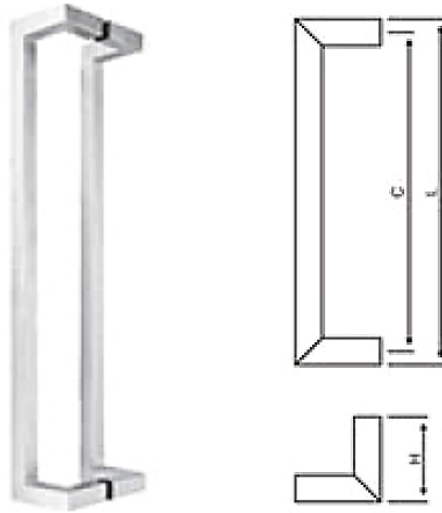
Mitred Pull Handle

Art No.:	Ø	C	L	H
A	22	200	222	65
B	22	250	272	65
C	25	300	325	80
D	25	450	475	80
E	25	600	625	80
F	30	600	630	80
G	30	800	830	80
H	32	1000	1032	80

FEATURES

- Material: Stainless Steel 304 / 316
- Back to back fixing, Bolt through fixing
- Thickness: 1.0mm, 1.2mm, 1.5mm
- Finish: SSS, PSS, PVD, AB, AC
- For Glass Door, Timber Door, Metal Door

PULL HANDLE STAINLESS STEEL



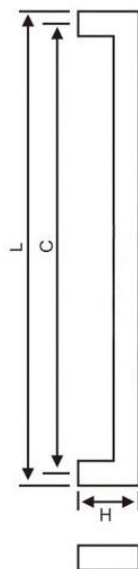
UK-00711

Art No.:	Ø	C	L	H
A	25x25	300	325	80
B	25x25	450	475	80
C	25x25	600	625	80
D	40x20	600	640	80
E	40x20	800	840	80

FEATURES

- Material: Stainless Steel 304 / 316
- Back to back fixing, Bolt through fixing
- Thickness: 1.0mm, 1.2mm, 1.5mm
- Finish: SSS, PSS, PVD, AB, AC
- For Glass Door, Timber Door, Metal Door

PULL HANDLE STAINLESS STEEL



UK-00715

Allure Pull Handle

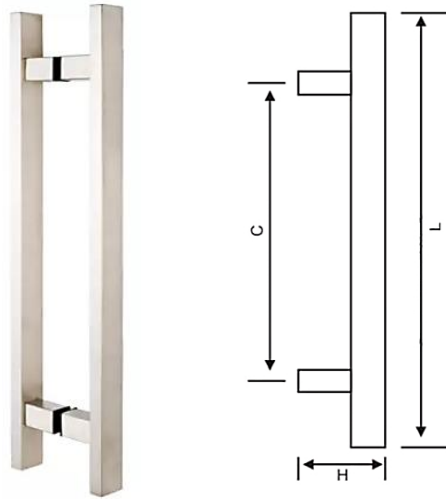
Art No.:	Ø	C	L	H
A	20x20	200	220	65
B	20x20	250	270	65
C	20x20	300	320	65
D	20x20	400	420	65
E	25x25	300	325	75
F	25x25	450	475	75
G	25x25	600	625	75
H	30x30	300	330	80
I	30x30	400	430	80
J	30x30	500	530	80
K	30x30	600	630	80

Art No.:	Ø	C	L	H
L	30x30	800	830	80
M	30x15	200	215	65
N	30x15	250	265	65
O	30x15	300	315	65
P	30x15	400	415	65
Q	30x15	600	615	65
R	40x20	300	320	75
S	40x20	400	420	75
T	40x20	500	520	75
U	40x20	600	620	75
V	40x20	800	820	75

FEATURES

- Material: Stainless Steel 304 / 316
- Back to back fixing, Bolt through fixing
- Thickness: 1.0mm, 1.2mm, 1.5mm
- Finish: SSS, PSS, PVD, AB, AC
- For Glass Door, Timber Door, Metal Door

PULL HANDLE STAINLESS STEEL



UK-00716

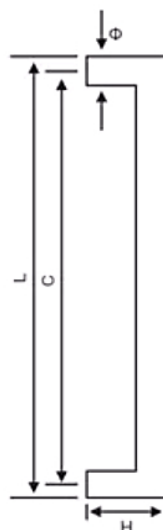
Square T Shape Pull Handle

Art No.:	∅	C	L	H
A	25x25	200	300	75
B	25x25	300	450	75
C	25x25	450	600	75
D	25x25	600	800	75
E	30x30	300	450	80
F	30x30	450	600	80
G	30x30	600	800	80
H	30x30	800	1000	80
I	30x30	1000	1200	80

FEATURES

- Material: Stainless Steel 304 / 316
- Back to back fixing, Bolt through fixing
- Thickness: 1.0mm, 1.2mm, 1.5mm
- Finish: SSS, PSS, PVD, AB, AC
- For Glass Door, Timber Door, Metal Door

PULL HANDLE STAINLESS STEEL



UK-00720

Art No.:	Ø	C	L	H
A	19	150	169	60
B	19	225	244	60
C	19	250	269	60
D	2	250	272	60
E	22	300	322	60
F	22	400	422	60
G	25	450	475	80
H	25	600	625	80
I	30	600	630	80
J	30	800	830	80
K	32	600	632	80

FEATURES

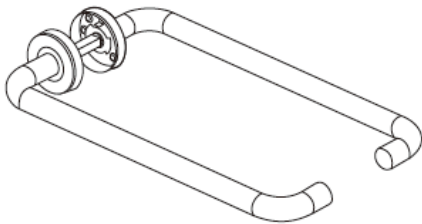
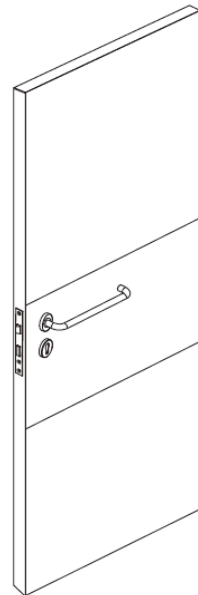
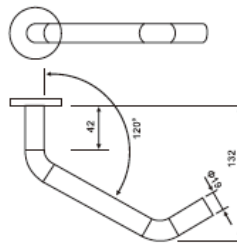
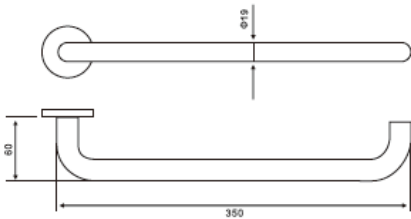
- Material: Stainless Steel 304 / 316
- Back to back fixing, Bolt through fixing
- Thickness: 1.0mm, 1.2mm, 1.5mm
- Finish: SSS, PSS, PVD, AB, AC
- For Glass Door, Timber Door, Metal Door

STAINLESS STEEL Disable Handle



UK-GB037
Disable Handle

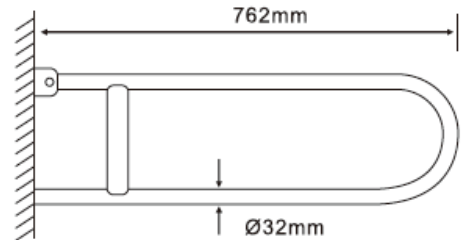
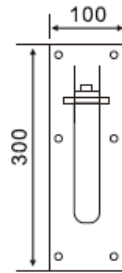
OPTIONAL VERSION



FEATURES

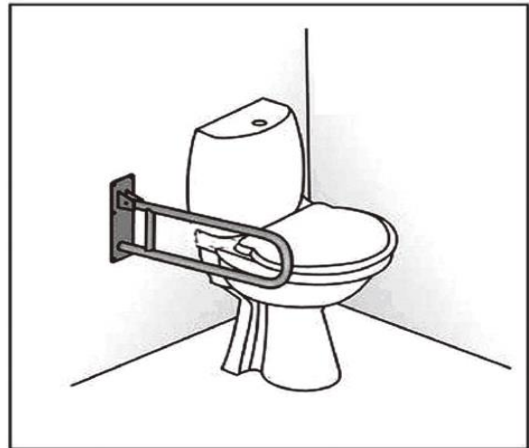
- Application Range: Hospital, Warehouse, or Public Area
- Apply to disabled person
- Optionally match up with Panic lock or Passenger lock
- Handle shape and length can be designed accordingly

STAINLESS STEEL Disabled Safety Grab Bar



UK-GB038

Disabled Safety Grab Bar



DISABLED SAFETY GARB BAR

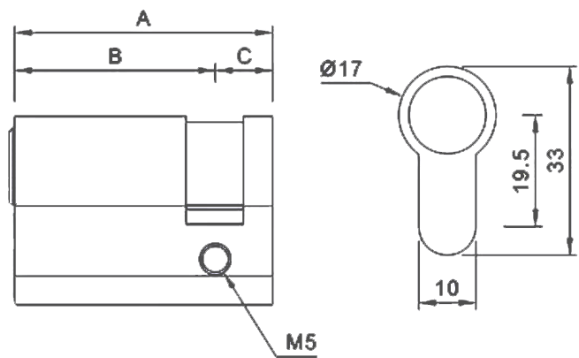
Grab bars for the bath and shower assist elderly and disabled with getting in and out easily. Bathroom grab bars are available in many types, such as steel grab bars. Also, grab bar installation is very easy as they mount on the shower wall.

FEATURES

- Maximum weight capacity of 220 lbs
- Material: Heavy Duty 304 Stainless Steel
- Finish: Satin, PSS
- Length: 30"
- Installation: For Right or Left Handed

DOOR ACCESSORIES

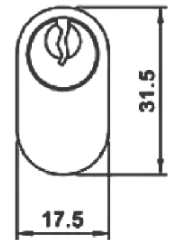
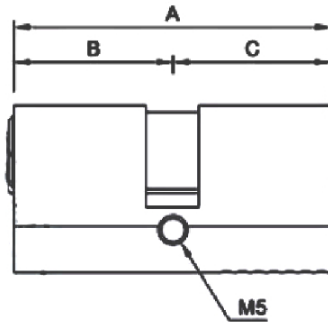
SINGLE CYLINDER UKSC882 SERIES



SPECIFICATIONS

- Usage: Wooden Door, Metal Door, Steel Door, Interior Door, Outer Door
- 6-pins standard
- Material is solid stainless steel body, rubber striker with installing screws
- Finish: SN, PB, AB, AC, CP, PVD
- Accessories: 3 normal keys
- Suitable for Master Key System

DOUBLE CYLINDER UKC883 SERIES



PRODUCT CLASSIFICATION

1	6	0	0	0	C	6	0
---	---	---	---	---	---	---	---

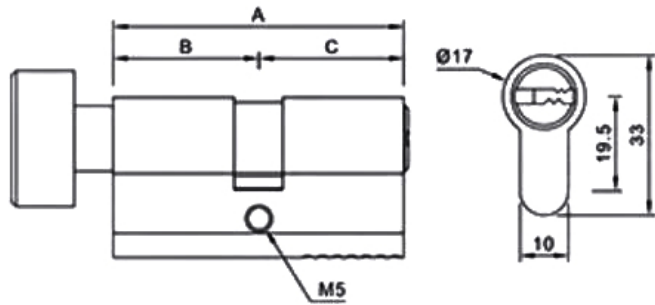
SPECIFICATIONS

- Usage: Wooden Door, Metal Door, Steel Door, Interior Door, Outer Door
- Conforms to EN 1303:2015
- 30 degrees offset cam inhibits knock through
- Anti prick profile
- Suitable for Master Key System

FEATURES

- Size: Please refer to size chart
- Material: SSS
- Finish: SN, PB, AB, AC, CP, PVD
- 3 Key accessories

THUMB TURN CYLINDER UKC884 SERIES



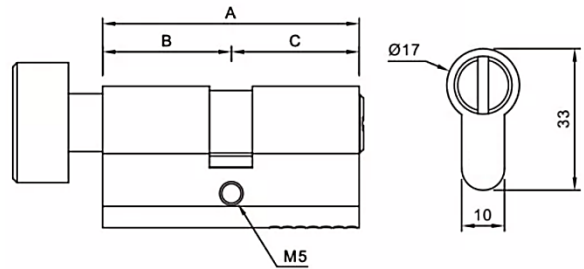
PRODUCT CLASSIFICATION

1	6	0	0	0	C	6	0
---	---	---	---	---	---	---	---

SPECIFICATIONS

- Usage: Wooden Door, Metal Door, Steel Door, Interior Door, Outer Door
- Material: Quality Solid Brass Body and Plug
- Finish: SN, PB, AB, AC, CP, PVD
- Accessories: 3 normal keys
- Suitable for Master Key System

BATHROOM PRIVACY CYLINDER UKC887 SERIES

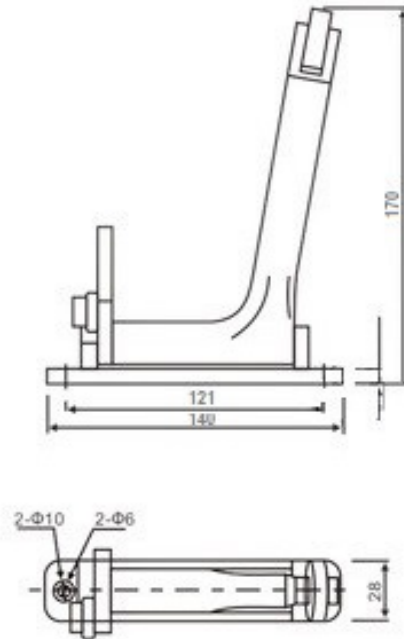


Model No.:	A	B	C
UKC887-60	60	30	30
UKC887-65	65	32.5	32.5
UKC887-70	70	35	35
UKC887-80	80	40	40
UKC887-90	90	45	45
UKC887-100	100	50	50

SPECIFICATIONS

- Usage: Wooden Door, Metal Door, Steel Door, Interior Door, Outer Door
- 6-pins standard
- Material is solid stainless steel body, rubber striker with installing screws
- Accessories: 3 normal keys

DOOR COORDINATOR UK-00402DC

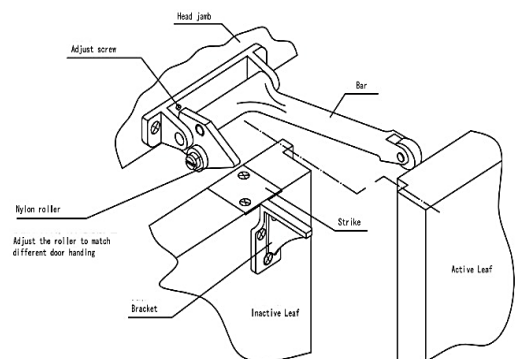


FEATURES

- Size: 140 x 170 mm
- Material: Casting Stainless Steel Grade 304 body and arm, nylon roller
- Available Finishes: Satin Stainless Steel as standard, other finishes are available.
- Range of Application: Wooden Door, Metal Door, Swing Door, Furniture & Cabinet Door.

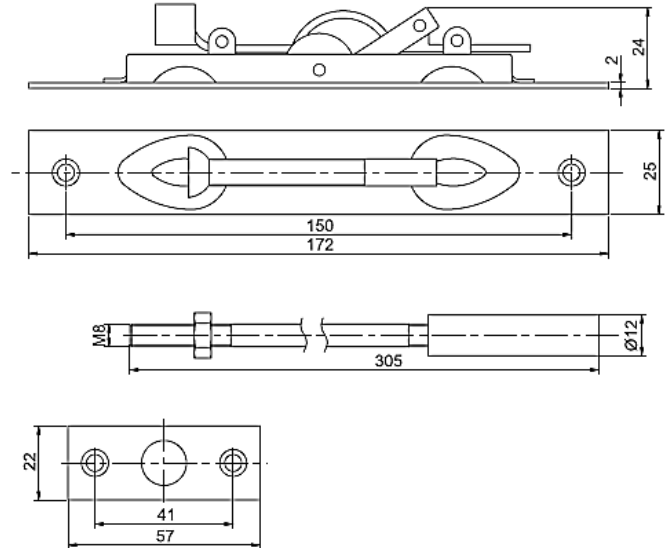
INSTALLATION STEPS

- Tools Preparation: Portable electric drill, $\varnothing 3\text{mm}$ & $\varnothing 4\text{mm}$ drill bits, 2.5mm Allen key & Phillips screwdriver.
- Place the coordinator on the side of the jamb, mark the center line and the hole, drill the holes.
- Install the body and tighten the screws.
- Turn the screw on the back of the body to make the nylon roller running on the strike.



FLUSH BOLT

UK-004S

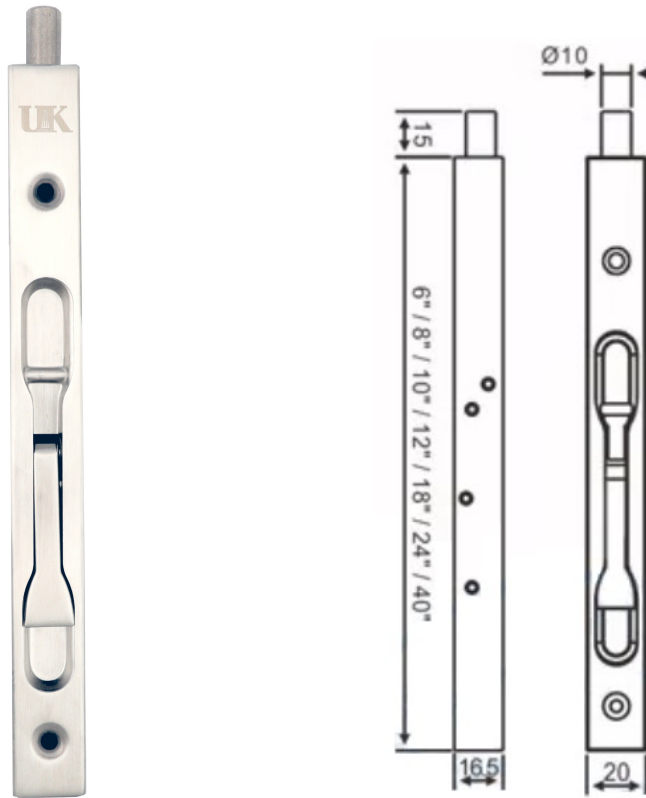


FEATURES

- Standard rod length: 305mm
- Round bolt head: $\varnothing 12\text{mm}$
- Fixings: Self-tapping screws and machine screws (M4 x 12mm)
- Finish: Satin
- Range of application: Wood and Metal Doors

FLUSH BOLT

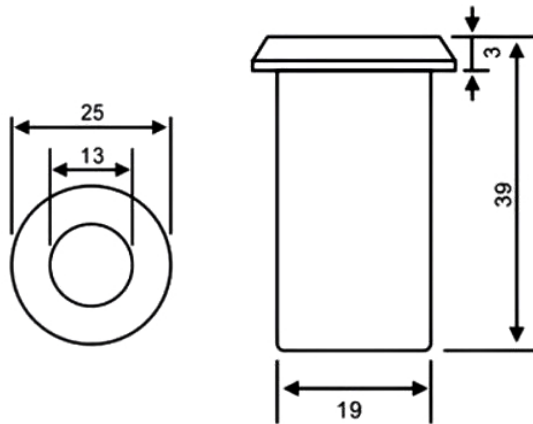
UK-004W



FEATURES

- Manual operation
- Size: 10mm dia x 200mm length
- Material: SSS 304
- Finish: SS
- Application of Doors: Wooden Doors, Steel Doors, etc.

DUST SOCKET UK-002DP

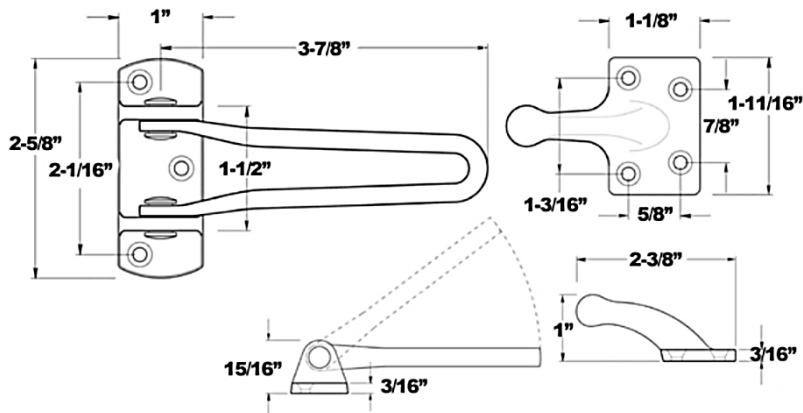


FEATURES

- Stainless Steel Body; Size: 25x39mm
- Finish: SSS, PSS
- Range of application: Wooden Door, Metal Door, Swing Door

DOOR GUARD

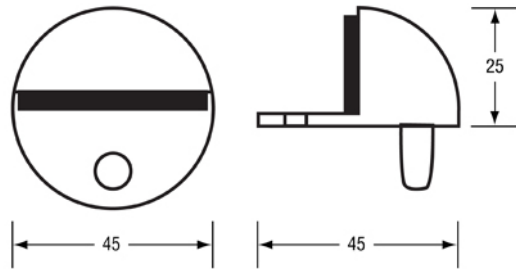
UK-004DG



FEATURES

- Material: Stainless Steel / Zinc Alloy body, Rubber Striker, with installing screws
- Finish: SSS, PSS, PVD, SNP, SCP, AB, AC
- Range of application: Wooden Door, Metal Door, Swing Door

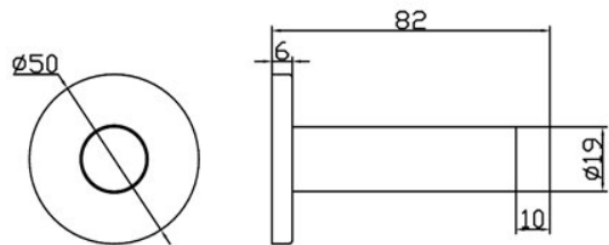
FLOOR MOUNTED UK-007D



FEATURES

- Material: Die Cast Zinc, Rubber Bumper
- Finish: SSS with Black Rubber Bumper
- Mounting: Surface Mount Visible Fix

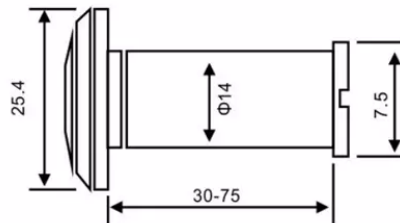
WALL MOUNTED UK-008



FEATURES

- Material: SUS304 with Rubber Tip
- Finish: SSS with Black Rubber Tip
- Concealed Screw Fixing

DOOR VIEWER UK-DV002



FEATURES

- Material: Brass / Zinc Alloy Body, Glass Lens
- Finish: Satin, Polished, Gold Plated, Antique Brass, Antique Copper, PVD
- Range of application: Wooden Door, Metal Door, Swing Door

COAT HOOK

UK-006CH

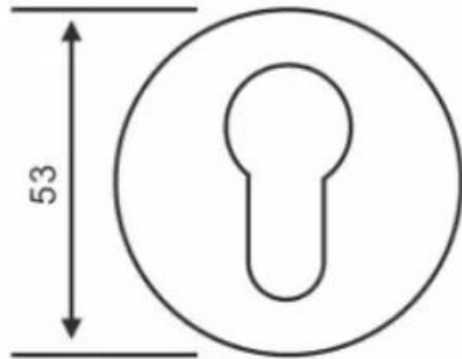


FEARURES

- Coat hook
- Usage: Wooden Door, Metal Door, Steel Door, Interior Door, Outer Door
- Material: Solid Stainless Steel body, Rubber striker, with installation screws.
- Finish: SSS, PSS, BP, GP, AB, AC

ESCUTCHEON

UK-DC004-E



FEATURES

- Euro Escutcheon
- Size: 53mm diameter x 9mm thickness
- Suitable for Wooden doors, Metal Doors, Steel Doors, etc.
- Material: Stainless Steel 304 or 316
- Inner Rose: Steel or Stainless Steel
- Outer Rose: Stainless Steel 304 / 316
- Finish: SSS, PSS, PVC, AB, AC

OPTIONAL VERSION



DDES001



DDES004



DDES005



DDES008
Thread Type



DDES009



DDES011
Thread Type

PUSH PLATE

UK-460013

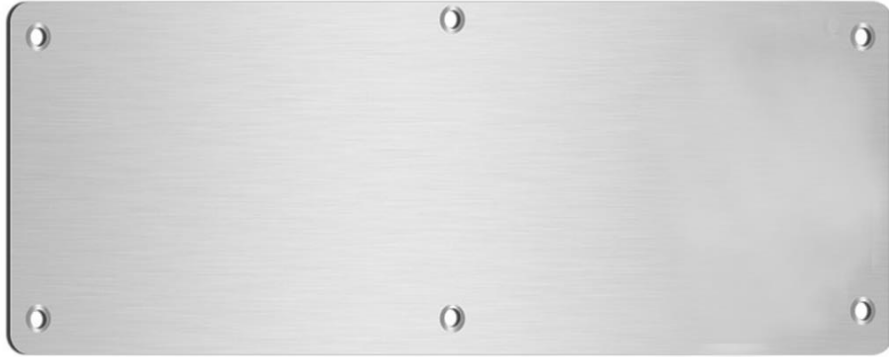


FEATURES

- "PUSH" sign
- Installation: For screw fixing
- Fixing Material (screw) supplied
- Material: Solid Stainless 304 / 316
- Finish: SSS, PSS, PVD
- Size: 100mm x 300mm
- Thickness: 1.2mm, 1.5mm, 2mm, others upon request

KICK PLATE

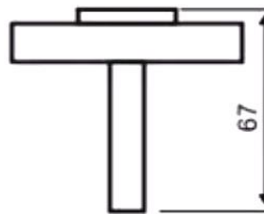
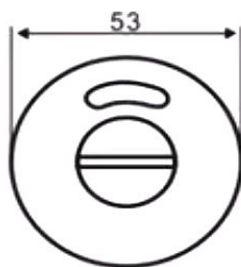
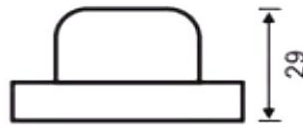
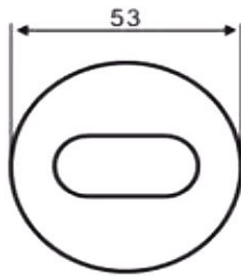
UK-001KP



FEATURES

- Installation: For screw fixing
- Fixing Material (screw) supplied
- Material: SSS 304
- Surface Finish: SSS
- Size: 200mm height x width as per door leaf size
- Thickness: 1.2mm, 1.5mm, 2mm, others upon request

THUMBTURN INDICATOR UK-003TTI



FEATURES

- Material: Stainless Steel 304 / 316
- Finish: SSS, PSS, PVD, PB, AB, AC
- Range of application: Wooden Door, Metal Door, Steel Door, Interior Door, Outer Door

SIGNAGES
UK-002S SERIES

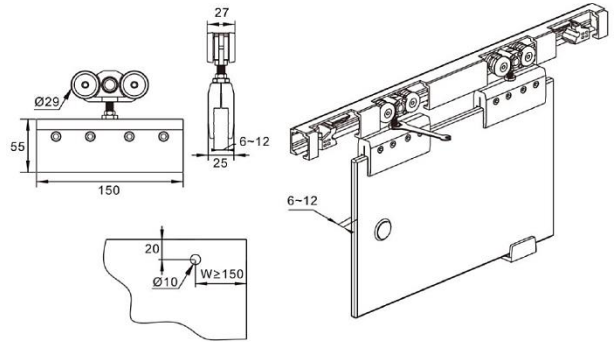


**SLIDING
DOOR HARDWARE**

SLIDING DOOR ROLLER
Glass Door



SLIDING DOOR ROLLER Glass Door



Glass Door Hole Size

UK-416-8B





FEATURES

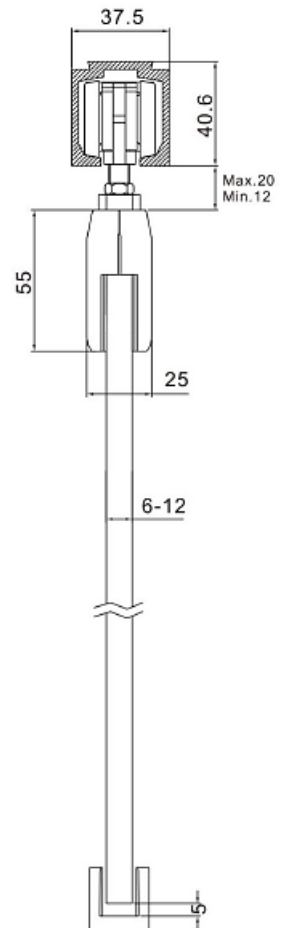
- For Single or Double Door
- Height Adjustment : 8mm
- Max. Door Weight: 120kg
- For Glass Thickness: 6, 8, 10, 12mm

MATERIALS AND FINISHES

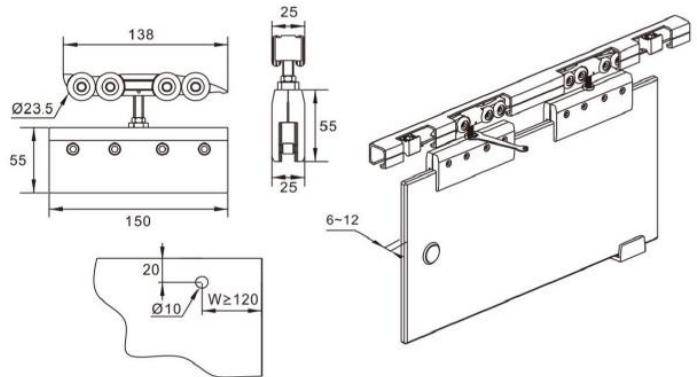
- Sliding Track: Aluminum, Anodized
- Hanging Roller: Nylon, Black
- Glass Clamp: Aluminum, Sand Blasting

STANDARD CONFIGURATION

	Hanging Roller	2 pcs
	Glass Clamp	2 pcs
	Door Stop	2 pcs
	Bottom Guide	1 pc
	Screws	1 set



SLIDING DOOR ROLLER Glass Door



Glass Door Hole Size

UK-823-8B





FEATURES

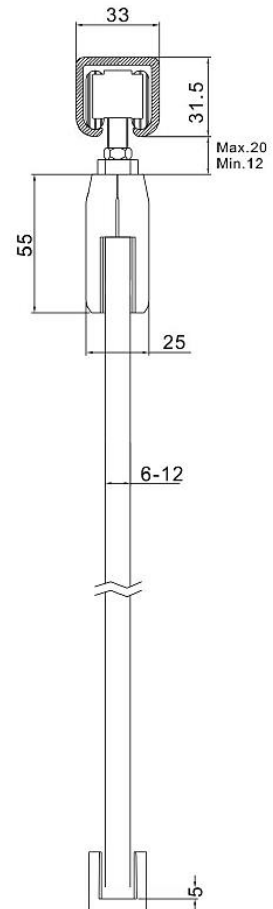
- For Single or Double Leaf Door
- Height Adjustment: 8mm
- Max. Door Weight: 120kg
- For Glass Thickness: 6, 8, 10, 12mm

MATERIALS AND FINISHES

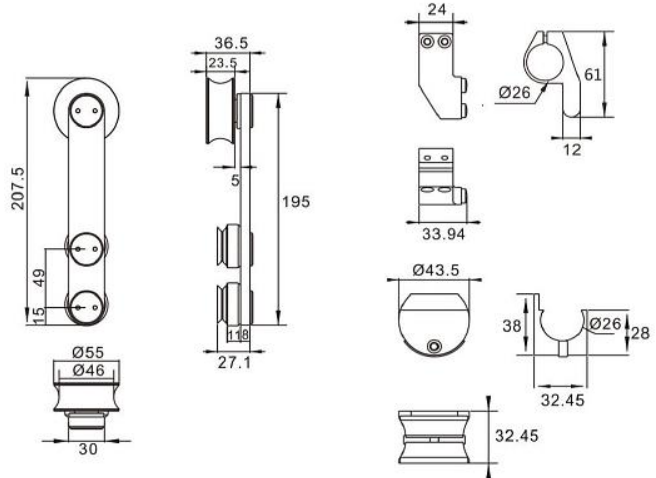
- Sliding Track: Aluminum, Anodized
- Hanging Roller: Zinc Alloy, SN
- Glass Clamp: Aluminum, Sand Blasting

STANDARD CONFIGURATION

	Hanging Roller	2 pcs
	Glass Clamp	2 pcs
	Door Stop	2 pcs
	Bottom Guide	1 pc
	Screws	1 set



SLIDING DOOR ROLLER Glass Door



HL-019

FEATURES

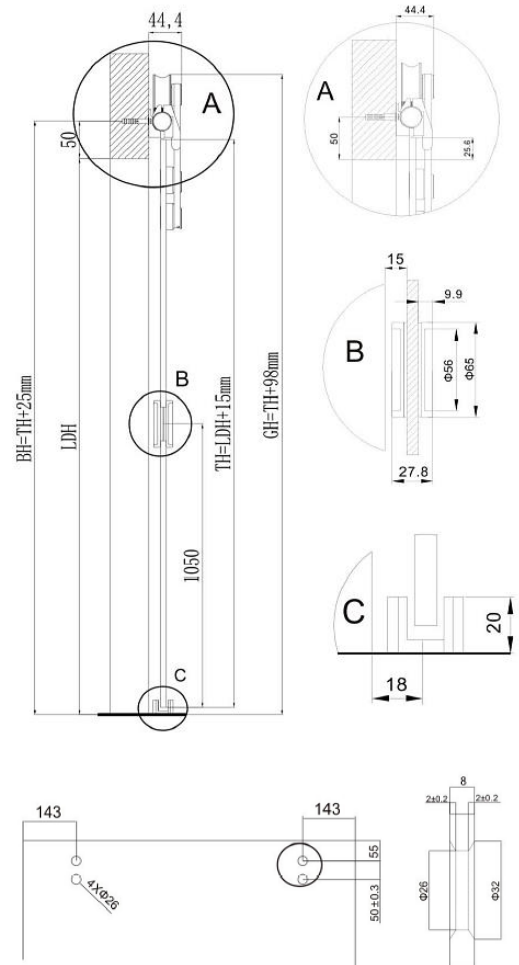
- For Single or Double Leaf Door
- Height Adjustment: 5mm
- Max. Door Weight: 80kg
- For Glass Thickness: 8, 10, 12mm

MATERIALS AND FINISHES

- Sliding Track: Stainless Steel, SS
- Hanging Roller: Stainless Steel, SS

STANDARD CONFIGURATION

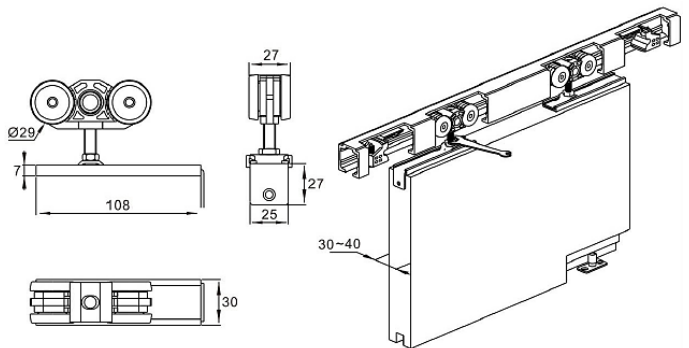
	Sliding Track	1 pc
	Hanging Roller	2 pcs
	Pipe Clamp	4 pcs
	Door Stop	2 pcs
	Bottom Guide	1 pc
	Handle	1 pc
	Screws	1 set



SLIDING WOODEN DOOR



SLIDING DOOR ROLLER Wooden Door



UK-416-4C

FEATURES

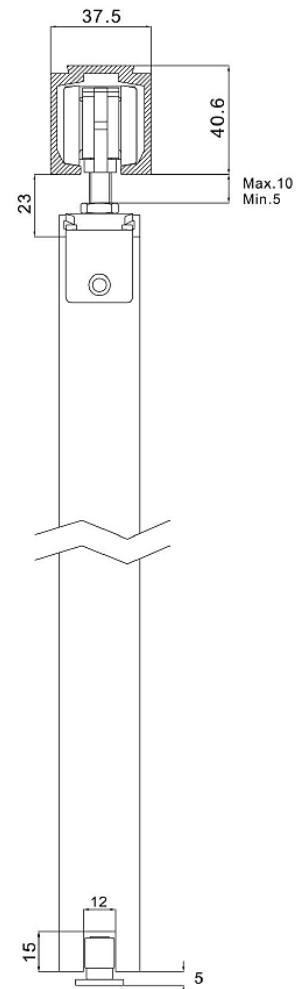
- For Single or Double Leaf Door
- Height Adjustment: 5mm
- Max. Door Weight: 80kg
- Min. Door Thickness: 30mm

MATERIALS AND FINISHES

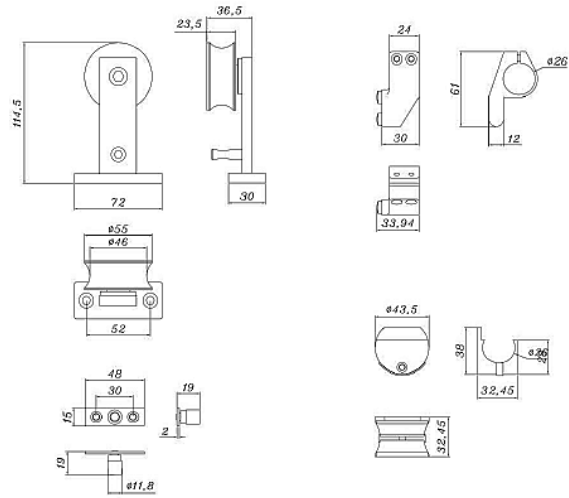
- Sliding Track: Aluminum, Anodized
- Hanging Roller: Nylon, Black
- Bracket: Aluminum, Anodized

STANDARD CONFIGURATION

	Hanging Roller	2 pcs
	Bracket	2 pcs
	Door Stop	2 pcs
	Bottom Guide	1 pc
	Screws	1 set



SLIDING DOOR ROLLER Wooden Door



UK-081SR





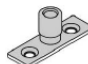
FEATURES

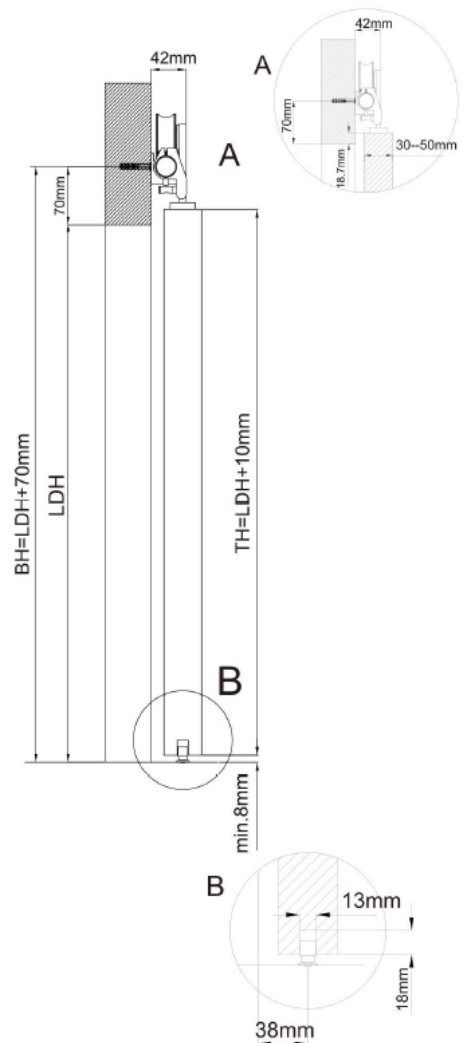
- For Single or Double Leaf Door
- Max. Door Weight: 150kg
- Door Thickness: 30-45mm

MATERIALS AND FINISHES

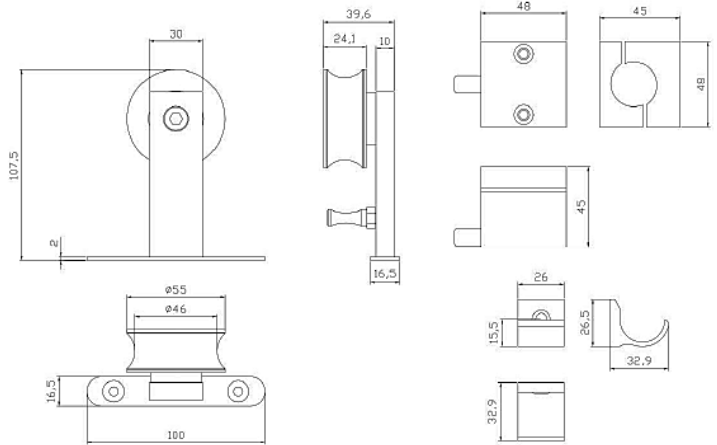
- Sliding Track: Stainless Steel, SS
- Hanging Roller: Stainless Steel, SS

STANDARD CONFIGURATION

	Sliding Track	1 pc
	Hanging Roller	2 pcs
	Pipe Clamp	4 pcs
	Door Stop	2 pcs
	Bottom Guide	1 pc
	Screws	1 set



SLIDING DOOR ROLLER Wooden Door



UK-065SR

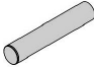




FEATURES

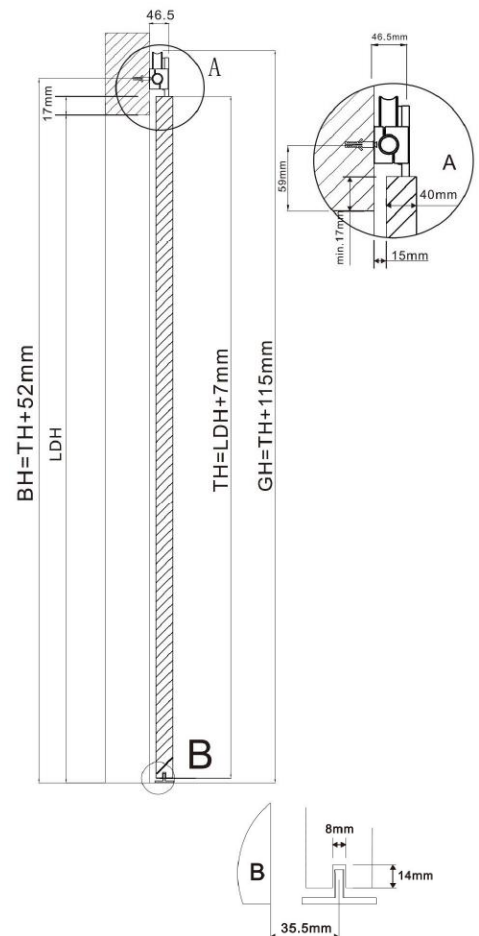
- For Single or Double Leaf Door
- Max. Door Weight: 80kg
- Min. Door Thickness: 25-50mm

MATERIALS AND FINISHES

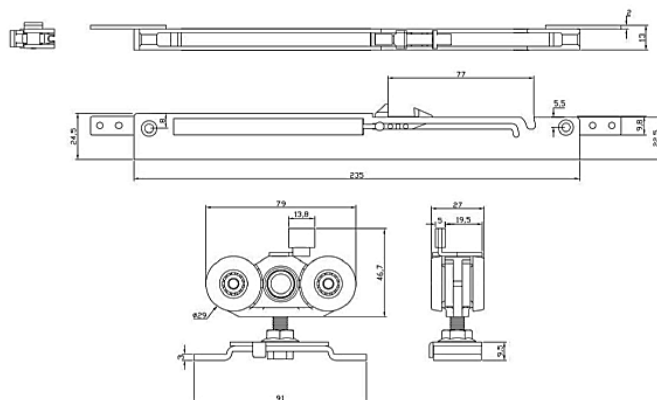
- Sliding Track: Stainless Steel, SS
- Hanging Roller: Stainless Steel, SS

STANDARD CONFIGURATION

	Sliding Track	1 pc
	Hanging Roller	2 pcs
	Pipe Clamp	4 pcs
	Door Stop	2 pcs
	Bottom Guide	1 pc
	Screws	1 set



SOFT-CLOSE SLIDING DOOR ROLLER Wooden Door



UK-B417SCR

FEATURES

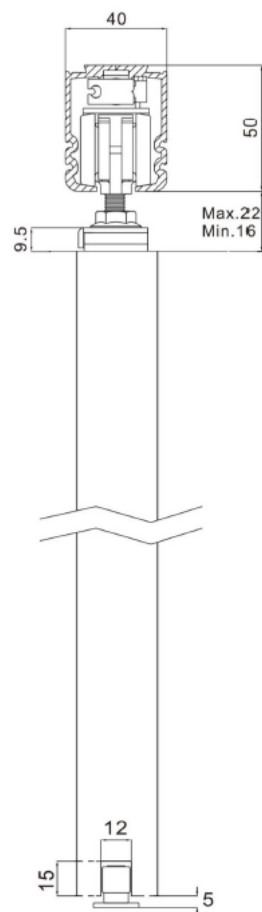
- For Single or Double Leaf Door
- With soft-close function
- Height Adjustment: 5mm
- Max. Door Weight: 80kg
- Min. Door Thickness: 25mm

MATERIALS AND FINISHES

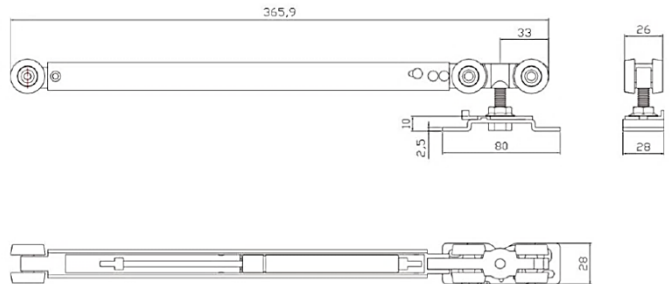
- Sliding Track: Aluminum, Anodized
- Hanging Roller: Zinc Alloy, PS
- Bracket: Iron, Zinc

STANDARD CONFIGURATION

	Hanging Roller	2 pcs
	Bracket	2 pcs
	Soft-close damper device	2 pcs
	Bottom Guide	1 pc
	Screws	1 set



SOFT-CLOSE SLIDING DOOR ROLLER Wooden Door



UK-042SCR







FEATURES

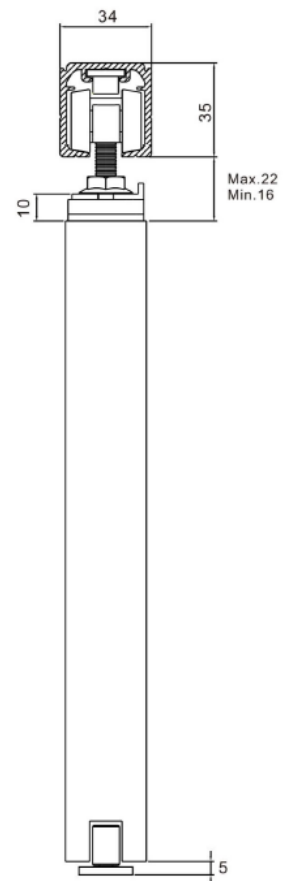
- For Single or Double Leaf Door
- With soft-close function
- Height Adjustment: 5mm
- Max. Door Weight: 80kg
- Min. Door Thickness: 30mm

MATERIALS AND FINISHES

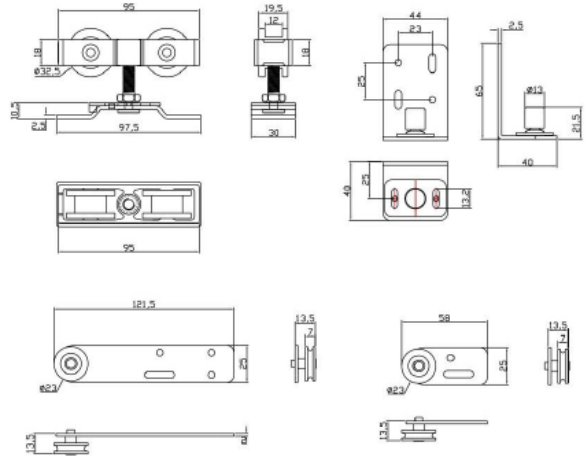
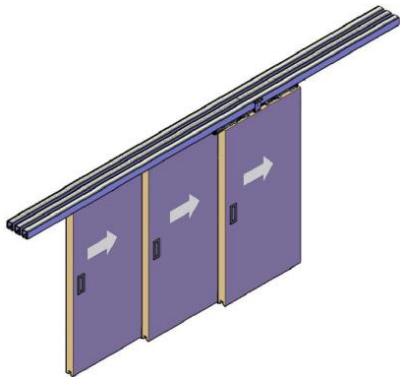
- Sliding Track: Aluminum, Anodized
- Hanging Roller: Zinc Alloy, SN
- Bracket: Iron, Zinc

STANDARD CONFIGURATION

	Hanging Roller	1 pc
	Hanging Roller	1 pc
	Bracket	2 pcs
	Door Stop	1 pc
	Bottom Guide	1 pc
	Soft Close Damper Device	1 pc
	Screws	1 set



SYMMETRICAL SLIDING DOOR ROLLER Wooden Door



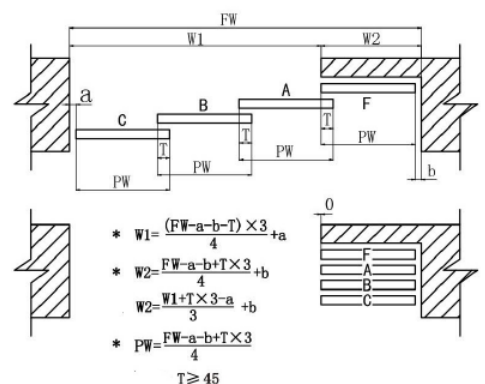
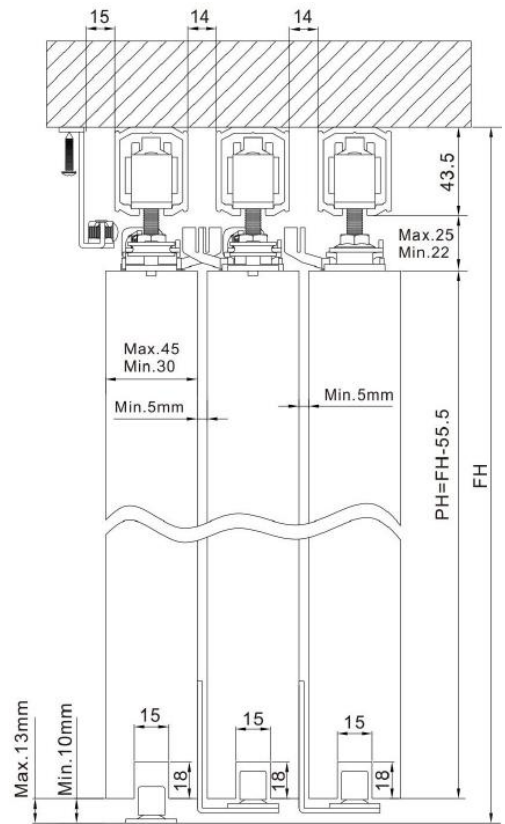
UK-053SSR

FEATURES

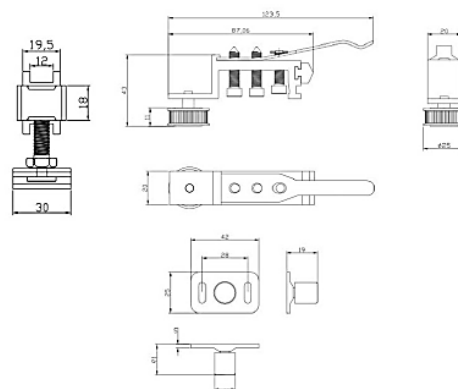
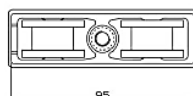
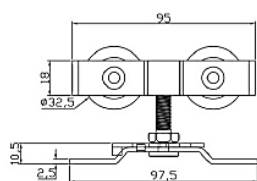
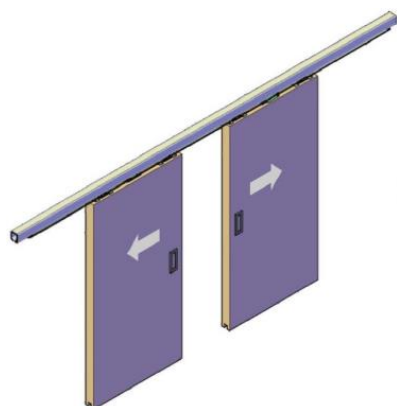
- Synchronized syntropy sliding system for three doors
- Height Adjustment: 3mm
- Max. Door Weight: 80kg
- Door Thickness: 30 - 45mm
- Door Width: 500 – 1200mm

STANDARD CONFIGURATION

	Hanging Roller	6 pcs
	Bracket	6 pcs
	Door Stop	6 pcs
	Fixing device for traction rope	1 pc
	Long bracket with wheel	2 pcs
	Short bracket with wheel	2 pcs
	Installation fitting for traction rope	2 pcs
	Fixing device for traction rope	2 pcs
	Bottom Guide	2 pcs
	Traction rope 3 meters	2 pcs
	Bottom Guide	1 pc
	Connector for traction rope	1 pc
	Screws	1 set



SYMMETRICAL SLIDING DOOR ROLLER Wooden Door



UK-075-01SSR









FEATURES

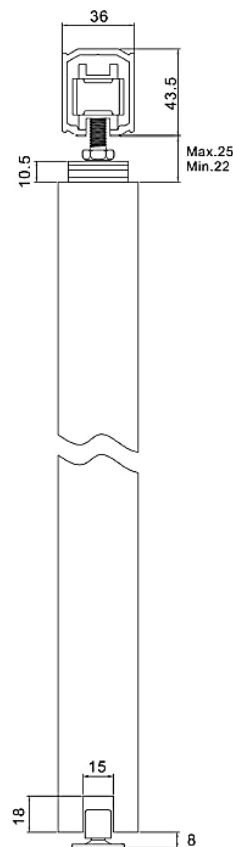
- For double leaf sliding doors, synchronized inversion sliding system for double door.
- Height Adjustment: 3mm
- Max. Door Weight: 80kg
- Door Thickness: 30 - 45mm
- Door Width: 500 – 1200mm

MATERIALS AND FINISHES

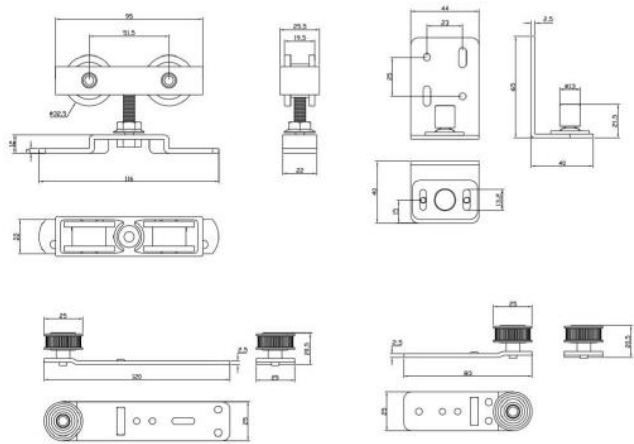
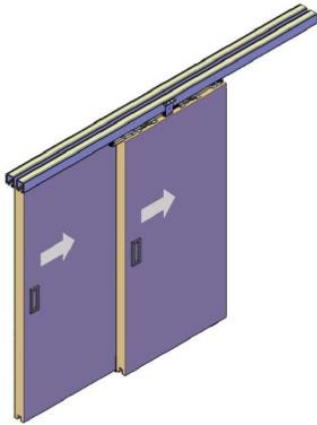
- Sliding Track: Aluminum, Anodized
- Hanging Roller: Zinc Alloy, SN
- Glass Clamp: Iron, SN

STANDARD CONFIGURATION

	Hanging Roller	4 pcs
	Bracket	4 pcs
	Door Stop	2 pcs
	Door Stop	2 pcs
	Connector for belt	1 pc
	Fixing device for belt	2 pcs
	Belt 7 meters	1 pc
	Bottom guide	2 pcs
	Screws	1 set



SYMMETRICAL SLIDING DOOR ROLLER Wooden Door



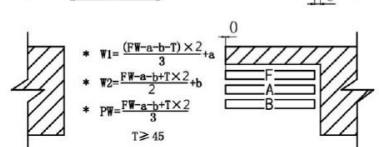
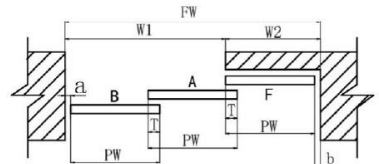
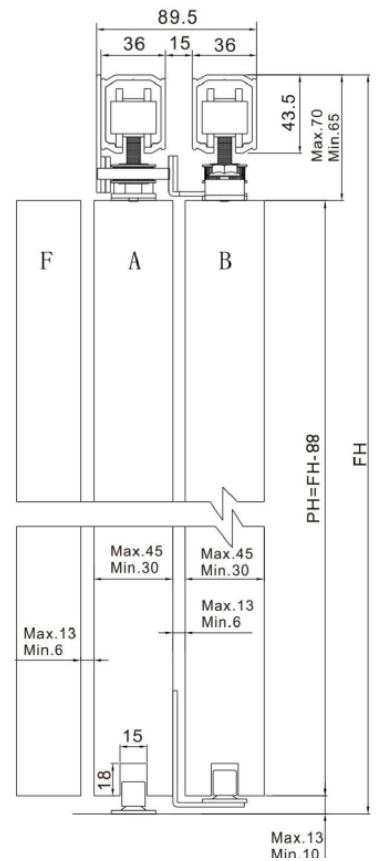
UK-075SSR

FEATURES

- Synchronized Syntropy sliding system for double doors
- Height Adjustment: 3mm
- Max. Door Weight: 80kg
- Door Thickness: 30 - 45mm
- Door Width: 500 – 1200mm

STANDARD CONFIGURATION

	Hanging Roller	4 pcs
	Bracket	4 pcs
	Door Stop	4 pcs
	Fixed Seat	1 pc
	Long Bracket with wheel	1 pc
	Long Bracket with wheel	1 pc
	Connector for belt	1 pc
	Fixing device for belt	1 pc
	Bottom guide	1 pc
	Belt 3 meters	1 pc
	Bottom guide	1 pc
	Screws	1 set



SLIDING BARN DOOR ROLLER
Wooden Door



SLIDING BARN DOOR ROLLER
Wooden Door

SILVER BLACK



WHITE CRACKLE



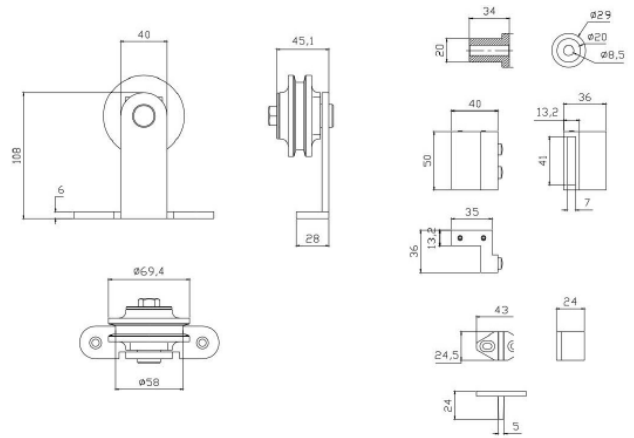
ANTIQUe BRONZE



WEATHERED RUST



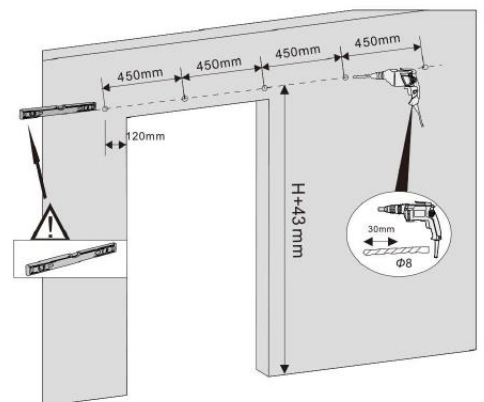
SLIDING BARN DOOR ROLLER Wooden Door




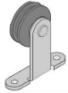




UK-078BR

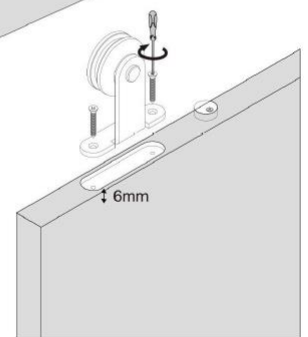
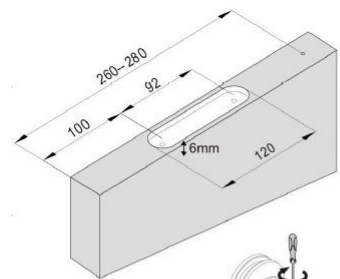
FEATURES

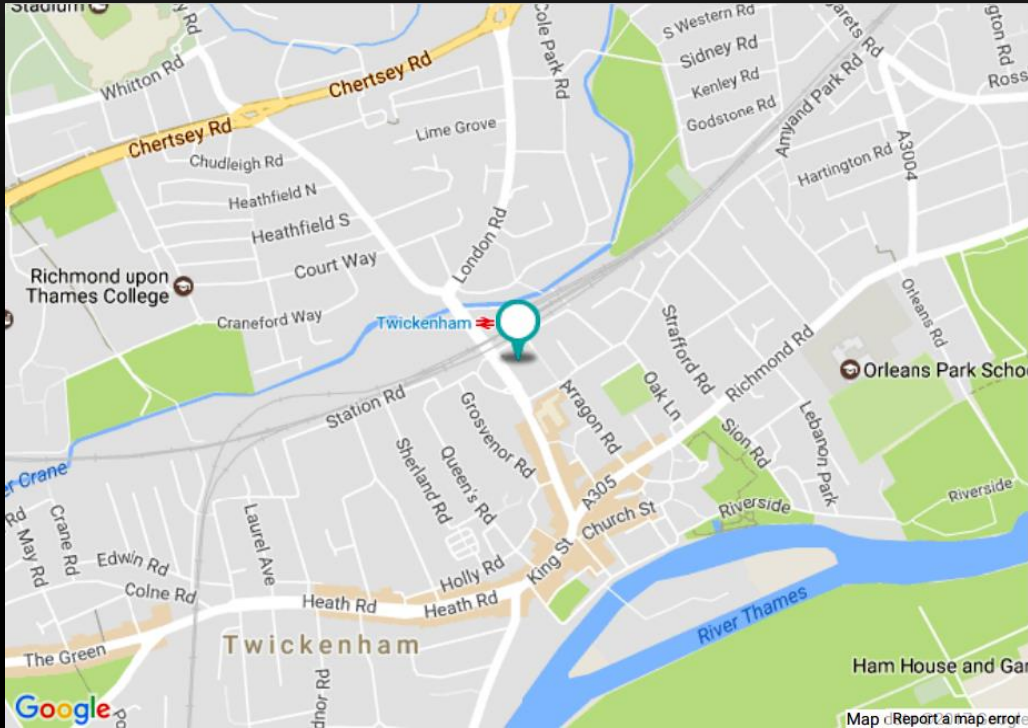
- For Single or Double doors
- Max. Door Weight: 150kg
- Door Thickness: 30- 50mm



STANDARD CONFIGURATION

	Sliding Track	1 pc
	Hanging Roller	2 pcs
	Door Stop	2 pcs
	Mounting Bracket	5 pcs
	Anti-jump fitting	2 pcs
	Bottom Guide	1 pc
	Screws	1 set





Address: 70 London Road, Twickenham,
Greater London, TW1 3QS, United Kingdom

Website: www.ukscale.com

Tel: +44 020 3998 9924

Email: info@ukscale.com